



# ROBOT LAWN MOWER GARAGE

## ASSEMBLY INSTRUCTIONS

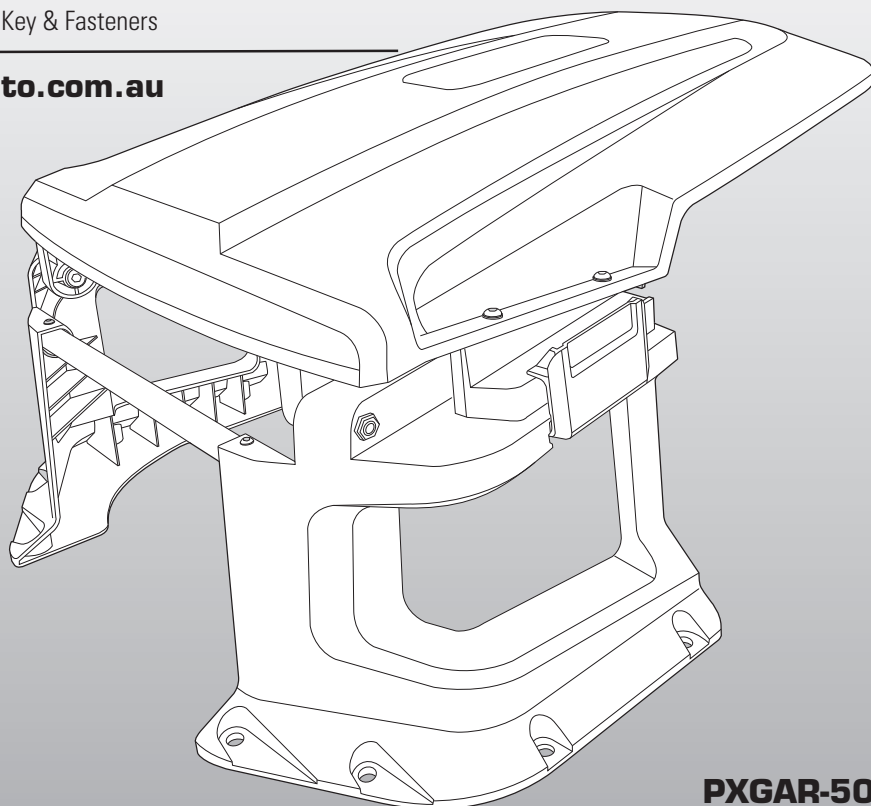
---

### CONTENTS

Robot Lawn Mower Garage  
8 x Ground Anchor Screws  
Hex Key & Fasteners

---

**[ozito.com.au](http://ozito.com.au)**



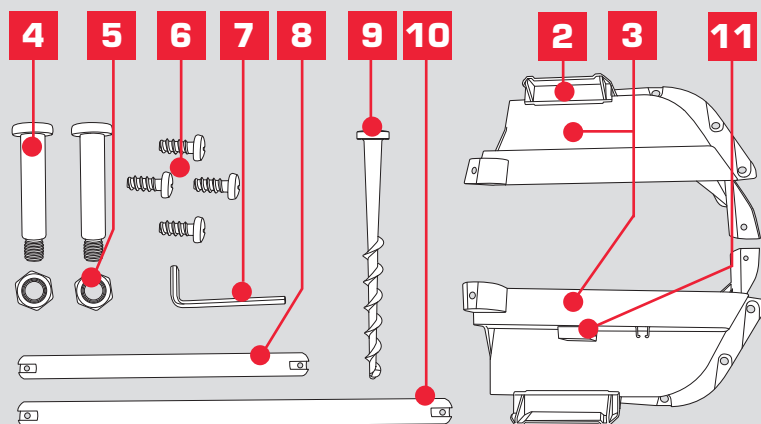
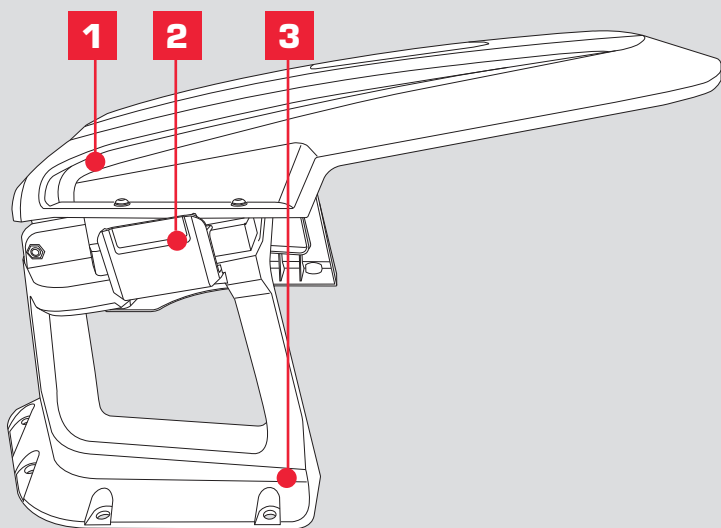
**PXGAR-500**

1223  
1

# KNOW YOUR PRODUCT

## ROBOT LAWN MOWER GARAGE

1. Garage Hood
2. 2 x Lock
3. 2 x Foot
4. 2 x Threaded Pin
5. 2 x Foot
6. 4 x Cross-Head Screw
7. Hex Key
8. Strut - Short
9. 8 x Ground Anchor Screws
10. Strut - Long
11. Hex Key Storage



## SETUP & PREPARATION



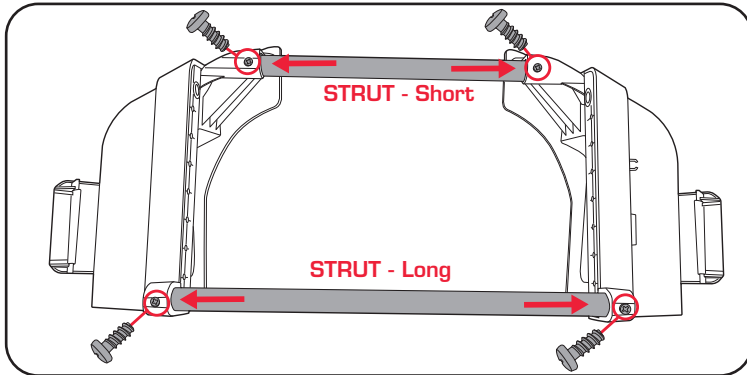
**WARNING!** NEVER STAND OR SIT ON THE ROBOT LAWN MOWER GARAGE. THE GARAGE IS TO BE USED ONLY FOR ITS PRESCRIBED PURPOSE.

### Proper Use

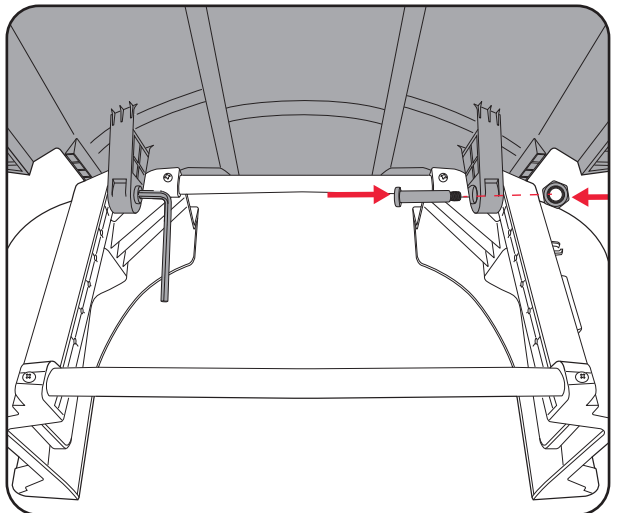
The robot lawn mower garage is designed to protect your robot lawn mower and its charging station from weather conditions such as rain and sun. The garage does not protect your robot lawn mower from lightning.

### Assembly

1. Align the pre-drilled hole in the end of each Strut with the corresponding hole in each of the Feet. With the holes aligned fasten together using the four Cross-Head screws.

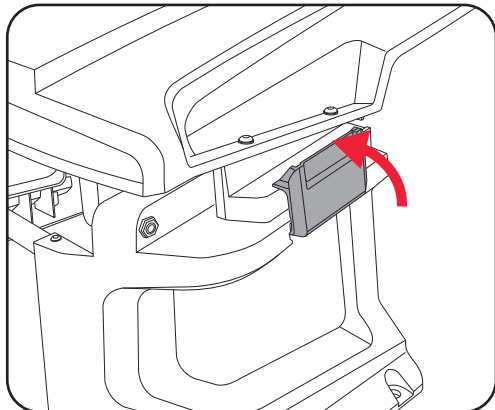


2. Place the Garage Hood on the Feet and fit the two Nuts on the outside in the recess. Push the Threaded Pins from the inside through the Garage Hood, then through the Feet and into the two Nuts. Fully tighten the Threaded Pins with the Hex Key.



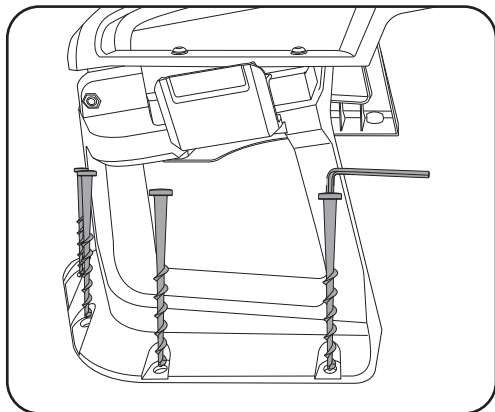
## SETUP & PREPARATION (CONT.)

3. With the Garage Hood closed, secure with the Locks on both sides.



4. Position the assembly over the rear of your charging station and secure the Feet to the ground using the Ground Anchor Screws with the provided Hex Key.

**Note:** If you find the ground hard the Ground Anchor Screws may break when being screwed in. Water the lawn before installing the garage if the ground is dry and hard.



## Spare Parts

Spare parts can be ordered from the Special Orders Desk at your local Bunnings Warehouse.

Visit [www.ozito.com.au](http://www.ozito.com.au) or contact Ozito Customer Service:

Australia 1800 069 486, New Zealand 0508 069 486

E-mail: [hello@ozito.com.au](mailto:hello@ozito.com.au)

**OZITO.** 25 Fox Drive, Dandenong South, Victoria 3175, Australia