



2X18V DELIVERS 36V OF POWER

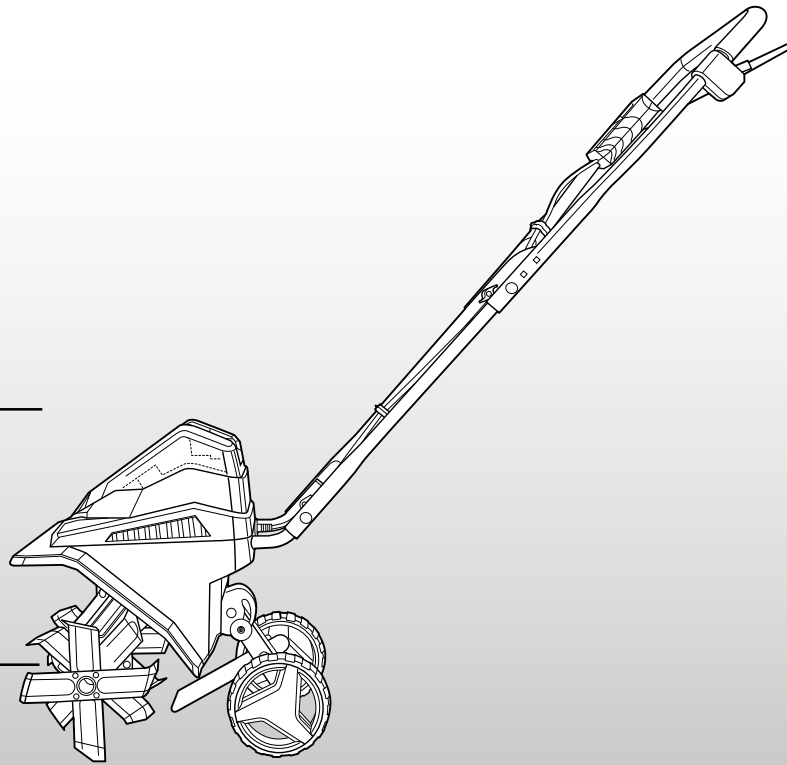
CORDLESS CULTIVATOR

INSTRUCTION MANUAL

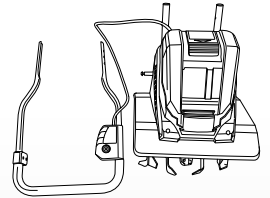
SPECIFICATIONS

Input:	18V x 2
No Load Speed:	140/min
Working Width:	280mm
Tine Diameter:	200mm
Noise Rating:	93dB
IP Class:	IPX1
Tool Weight:	8.2kg

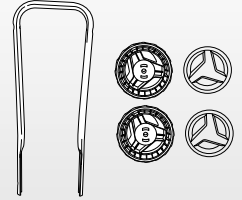
ozito.com.au



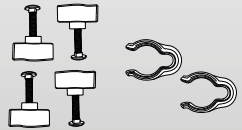
STANDARD EQUIPMENT



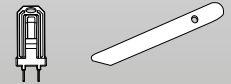
Upper Handle, Cultivator Body



Lower Handle, Wheels & Cover



Handle Securing Set x 4,
Cable Clips x 2



Safety Key & Drag Bar

5 YEAR
REPLACEMENT WARRANTY

PXMC-0182

WARRANTY

IN ORDER TO MAKE A CLAIM UNDER THIS WARRANTY YOU MUST RETURN THE PRODUCT TO YOUR NEAREST BUNNINGS WAREHOUSE WITH YOUR BUNNINGS REGISTER RECEIPT. PRIOR TO RETURNING YOUR PRODUCT FOR WARRANTY PLEASE TELEPHONE OUR CUSTOMER SERVICE HELPLINE:

Australia 1800 069 486

New Zealand 0508 069 486

TO ENSURE A SPEEDY RESPONSE PLEASE HAVE THE MODEL NUMBER AND DATE OF PURCHASE AVAILABLE. A CUSTOMER SERVICE REPRESENTATIVE WILL TAKE YOUR CALL AND ANSWER ANY QUESTIONS YOU MAY HAVE RELATING TO THE WARRANTY POLICY OR **PROCEDURE**.

WARNING

The following actions will result in the warranty being void.

- If the tool has been operated on a supply voltage other than that specified on the tool.
- If the tool shows signs of damage or defects caused by or resulting from abuse, accidents or alterations.
- Failure to perform maintenance as set out within the instruction manual.
- If the tool is disassembled or tampered with in any way.

The benefits provided under this warranty are in addition to other rights and remedies which are available to you at law.

Our goods come with guarantees that cannot be excluded at law. You are entitled to a replacement or refund for a major failure and for compensation for any other reasonably foreseeable loss or damage. You are also entitled to have the goods repaired or replaced if the goods fail to be of acceptable quality and the failure does not amount to a major failure.

Generally you will be responsible for all costs associated with a claim under this warranty, however, where you have suffered any additional direct loss as a result of a defective product you may be able to claim such expenses by contacting our customer service helpline above.

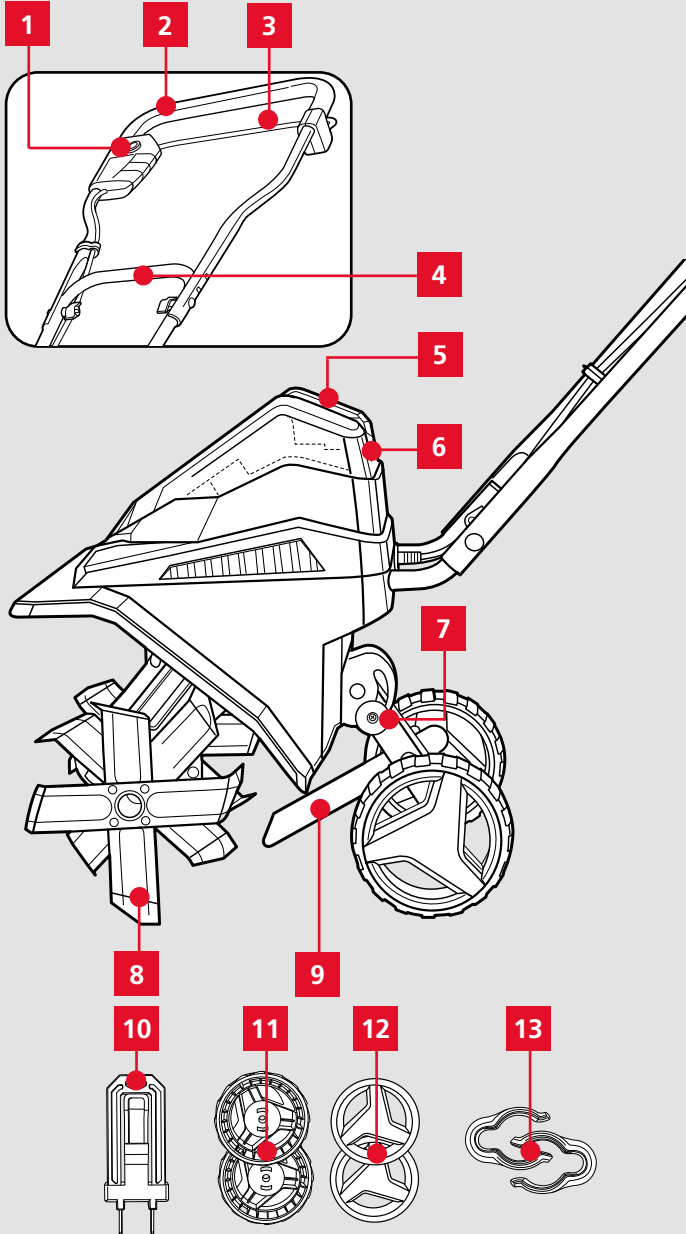
5 YEAR REPLACEMENT WARRANTY

Your Product is guaranteed for a period of 60 months from the original date of purchase and is intended for DIY (Do It Yourself) use only. If a product is defective it will be replaced in accordance with the terms of this warranty. **Lithium Ion batteries and chargers are covered by a 36 month warranty** and are excluded from the warranty extension. Warranty excludes consumable parts, for example: Tines, drag bar.

KNOW YOUR PRODUCT

CORDLESS CULTIVATOR

1. Lock-Off Button
2. Upper Handle
3. Start/Stop Lever
4. Lower Handle
5. Securing Latch
6. Battery Cover
7. Locking Pin
8. Tines
9. Drag Bar
10. Safety Key
11. Wheels
12. Covers
13. Cable Clips



BATTERY & CHARGER

This tool is compatible with all batteries & chargers from the Ozito Power X Change range.

ONLINE MANUAL

Scan this QR Code with your mobile device to take you to the online manual.



5 YEAR

REPLACEMENT WARRANTY

SETUP & PREPARATION

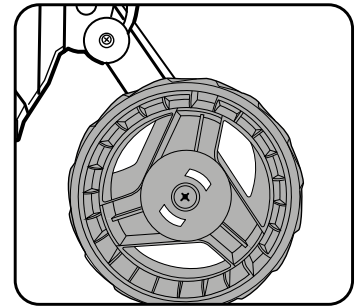
1. ASSEMBLY

WARNING! ENSURE THE TOOL IS SWITCHED OFF AND BATTERIES ARE DISCONNECTED BEFORE PERFORMING ANY OF THE FOLLOWING TASKS.

After removing the cultivator from the carton, check that the cultivator has not been damaged. Unpack the contents.

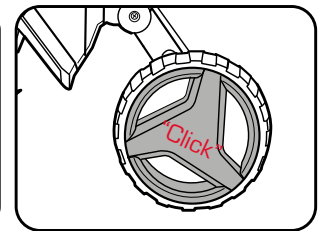
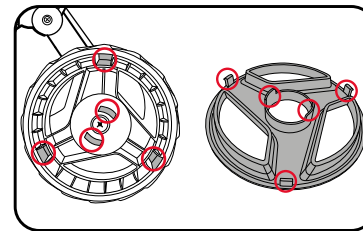
Fitting the Wheels

1. Using a screwdriver (not included) remove the screw and flat washer from the axle, place the wheel on the axle and secure with the washer and screw.



Note: Ensuring that the flat inner diameter of the wheel is facing outwards. This allows the wheel covers to be fitted.

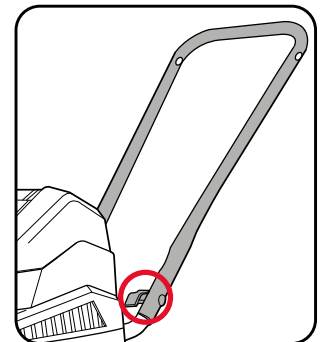
2. Align the tabs on the inside of the wheel cover with the holes in the wheel, push the wheel cover onto the centre of the wheel so it clicks in place.



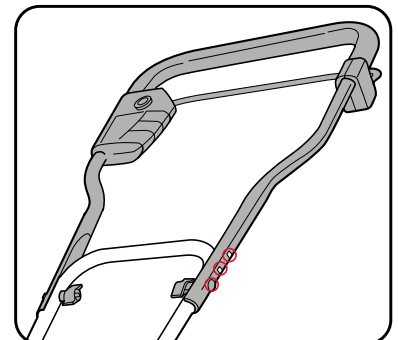
3. Repeat this process for the second wheel.

Fitting the Handles

1. Place the lower handle onto the cultivator body and secure using two of the handle securing sets. The knobs should be positioned on the inside of the frame. Tighten them securely.



2. Place the upper handle which there are three holes, to the upper end of the lower handle. Select the appropriate hole for the height of the user. Take care not to pinch the cable.



3. Secure using two of the remaining handle securing sets.

5 YEAR

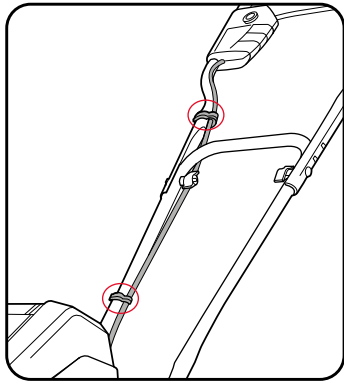
REPLACEMENT WARRANTY

Securing the Cable

Ensure the cable follows the handle smoothly from the switch to the body of the cultivator.

1. Locate cord on outside of handle. Push the supplied cable clips over the cable and onto the handle to secure in place.

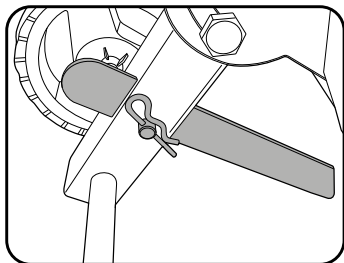
Note: Care should be taken not to impinge cable when folding down the handle.



Fitting the Drag Bar

The drag stake is used to regulate the depth of the turning cultivator tines. It also serves as a brake, slowing the cultivator's forward motion, enabling the tines to penetrate the soil.

1. Pull out the split pin and remove the pin. Push in the drag bar and fix in position with the pin and split pin.



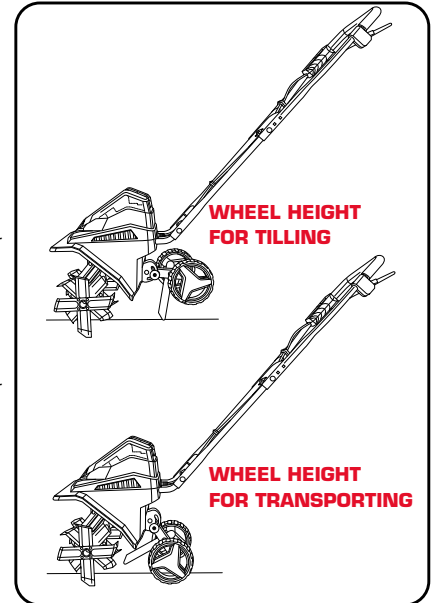
2. PREPARATION



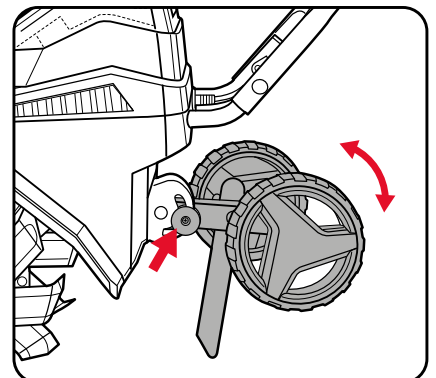
WARNING! ENSURE THE TOOL IS SWITCHED OFF AND BATTERIES ARE DISCONNECTED BEFORE PERFORMING ANY OF THE FOLLOWING TASKS.

Adjusting the Wheel Height

1. The transport wheels can be adjusted into one of two positions. When tilling, adjust the wheels so that they are set within the top position. The equipment must be moved into operating position before you begin with your work.
2. When not tilling, the transport wheels are used to move the mini cultivator around. Adjust the wheels so that they are set within the lower position.



3. Adjusting the wheel height is achieved by push the locking pin in and swing the wheel unit up or down until the locking pin engages.

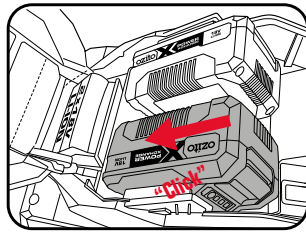
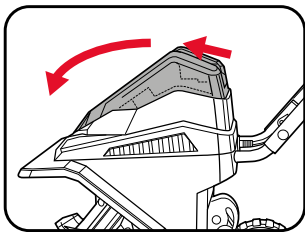


Inserting the Batteries

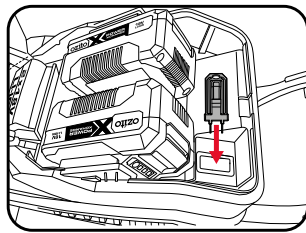
Only use 2 batteries with the same capacity. Always use batteries which are charged to the same level, never combine full and half-full batteries as the equipment's operation depends on the battery with the lower charge level.

For best performance use 4.0Ah batteries and above.

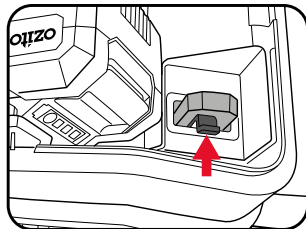
1. Slide the securing latch forward and open the battery cover
2. Slide two batteries of the same capacity and same charge state into the cultivator. Align the ribs so that they click into place.



3. Insert the safety key.
If the cultivator is not going to be used immediately, do not insert the safety key.



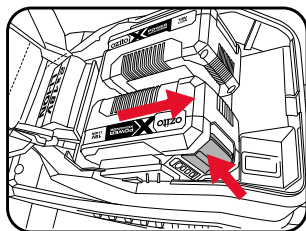
4. Close the battery cover.



Note: The cultivator is equipped with a safety switch to prevent unauthorised use. Immediately before using the cultivator, insert the safety key. Remove the safety key again when interruption or terminating your work. To remove, press the lug and slide out.

Removing the Batteries

1. Slide the securing latch forward and open the battery cover.
2. Press the battery release tab and remove the battery.
3. Close the battery cover.

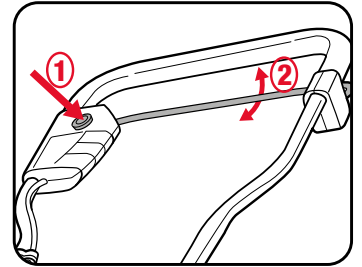


3. USING THE MINI CULTIVATOR

Switching On and Off

To prevent accidental start up, the cultivator is fitted with a dual action switch.

1. Press and hold the lock-off button.
2. Pull the start/stop lever towards the handle to start the cultivator and then release the lock-off button.
3. Release the start/stop lever to stop the cultivator.

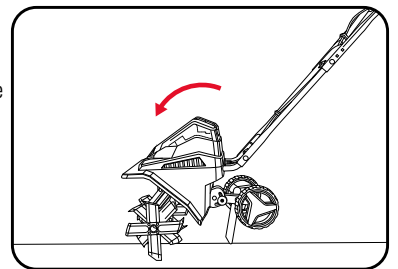


WARNING! THE CULTIVATOR RUNS FOR A FEW SECONDS AFTER IT HAS BEEN SWITCHED OFF. LET THE TINES COME TO A COMPLETE STANDSTILL BEFORE SETTING THE TOOL DOWN.

Operating Tips

- Do not let go of the upper handle until the tines come to a complete stop.
- When using your cultivator always wear substantial closed, non-slip footwear, safety eye wear, ear protection and long trousers.
- Always ensure that a safe distance (provided by the long handles) is maintained between the machine and the user. Be especially careful when changing direction on slopes and inclines.
- Use special caution when backing up and pulling the machine (tripping hazard).

1. Move the cultivator in front of the area you wish to cultivate and hold it securely on the top handle. Tilt the unit back on the drag bar until the tines are off the ground before you switch the unit on.
2. With the unit switched on, firmly grip the top handle and slowly tilt the unit forward to begin the tilling action.



3. As the tines begin to make contact with the ground, hold the unit in position until the tines dig into the soil.

WARNING! KEEP HANDS, FEET AND CLOTHING AWAY FROM THE ROTATING TINES. THEY CAN CAUSE INJURY.

- By manipulating the top handle, the user can control the depth and speed of the unit. Pushing down on the top handle will allow drag bar to penetrate the soil and slow the forward motion of the cultivator.
- Easing up on the top handle and moving the top handle from side-to-side will release tines that are dug in too deeply.
- When turning, push down on the top handle to bring the cultivator weight to the rear; this will make turning easier.

MAINTENANCE

WARNING! ENSURE THE TOOL IS SWITCHED OFF, REMOVE SAFETY KEY AND BATTERIES BEFORE PERFORMING ANY OF THE FOLLOWING TASKS.

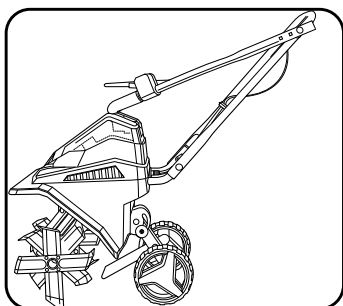
- Ensure that all mounting components (i.e. screws, bolts, nuts etc.) are always tightened so that the machine can be safely operated at all times.

Cleaning

- Keep the ventilation slots of the tool clean at all times to ensure efficient operation.
- After each use, blow air through the tool housing to ensure it is free from all dust, dirt, etc. Build up of dust or dirt particles may cause the tool to overheat and shorten the life of the tool.
- If the housing of the tool requires cleaning, do not use solvents. Use of a cloth only is recommended.
- Never allow any liquid to get inside the tool, never immerse any part of the tool into liquid.

Storage

- When not in use, the tool should be stored in a dry, frost free location, keep out of children's reach.
- For space saving storage loosen the upper handle securing set and fold the upper handle. Ensure that you do not damage the cable.



Note: Ozito Industries will not be responsible for any damage or injuries caused by repair of the tool by an unauthorised person or by mishandling. This tool is designed for DIY use - use in commercial or industrial environments will void the warranty.

Battery Protection System

The tool is equipped with a battery protection system, which helps to ensure a long service life.

The output power automatically cuts off during operation when the tool and/or battery are placed under the following situations:

- **When the tool is overloaded:**
If this occurs, remove and reinsert the batteries then activate the start/stop lever again to restart.
- **When the remaining battery capacity becomes low:**
Recharge the battery packs.

Note: The battery protection system does not in any way damage the tool.

Note: The indicated capacity may be lower than the actual level during use or immediately after using the tool.

DESCRIPTION OF SYMBOLS

V	Volts	Hz	Hertz
~	Alternating current	W	Watts
dc/---	Direct current	\emptyset	Diameter
mA	Milliamperes	No	No load speed
/min	Revolutions or reciprocation per minute		Wear safety goggles & ear muffs
	Regulator compliance mark		Warning
	Wear protective footwear		Read instruction manual.
	Sound power level		Pull out Safety Key before carrying out any repair work.
	The equipment's operating time depends on the battery with the lower charge level. Therefore, only use rechargeable batteries which are charged to the same level.		
	Thrown objects can cause severe injury; keep a safe distance.		
	Warning! Rotating blades		
	Contact with rotating tines will cause serious injury. Keep hands, feet, and clothing away while machine is running.		
	Do not use in the rain or leave the mini cultivator outdoors while raining.		

CARING FOR THE ENVIRONMENT



Power tools that are no longer usable should not be disposed of with household waste but in an environmentally friendly way. Please recycle where facilities exist. Check with your local council authority for recycling advice.



Recycling packaging reduces the need for landfill and raw materials. Reuse of recycled material decreases pollution in the environment. Please recycle packaging where facilities exist. Check with your local council authority for recycling advice.

SPARE PARTS

Spare parts can be ordered from the Special Orders Desk at your local Bunnings Warehouse.


For further information, or any parts not listed here, visit www.ozito.com.au or contact Ozito Customer Service:

Australia 1800 069 486

New Zealand 0508 069 486

E-mail: enquiries@ozito.com.au

ELECTRICAL SAFETY

 **WARNING!** When using mains-powered tools, basic safety precautions, including the following, should always be followed to reduce risk of fire, electric shock, personal injury and material damage.

Read the whole manual carefully and make sure you know how to switch the tool off in an emergency, before operating the tool.

Save these instructions and other documents supplied with this tool for future reference.

The charger has been designed for 230V and 240V only. Always check that the power supply corresponds to the voltage on the rating plate.

Note: The supply of 230V and 240V on Ozito tools are interchangeable for Australia and New Zealand.




This tool's charger is double insulated; therefore no earth wire is required.

Note: Double insulation does not take the place of normal safety precautions when operating this tool. The insulation system is for added protection against injury resulting from a possible electrical insulation failure within the tool.

If the supply cord is damaged, it must be replaced by an electrician or a power tool repairer in order to avoid a hazard.

The power supply for this product's charger should be protected by a residual current device (rated at 30mA or less). A residual current device reduces the risk of electric shock.

GENERAL POWER TOOL SAFETY WARNINGS

 **WARNING!** Read all safety warnings and all instructions. Failure to follow the warnings and instructions may result in electric shock, fire and/or serious injury. Save all warnings and instructions for future reference. The term "power tool" in the warnings refers to your mains-operated (corded) power tool or battery-operated (cordless) power tool.

1. Work area safety

- Keep work area clean and well lit.** Cluttered or dark areas invite accidents.
- Do not operate power tools in explosive atmospheres, such as in the presence of flammable liquids, gases or dust.** Power tools create sparks which may ignite the dust or fumes.
- Keep children and bystanders away while operating a power tool.** Distractions can cause you to lose control.

2. Electrical safety

- Power tool plugs must match the outlet.** Never modify the plug in any way. Do not use any adapter plugs with earthed (grounded) power tools. Unmodified plugs and matching outlets will reduce risk of electric shock.
- Avoid body contact with earthed or grounded surfaces, such as pipes, radiators, ranges and refrigerators.** There is an increased risk of electric shock if your body is earthed or grounded.
- Do not expose power tools to rain or wet conditions.** Water entering a power tool will increase the risk of electric shock.
- Do not abuse the cord.** Never use the cord for carrying, pulling or unplugging the power tool. Keep cord away from heat, oil, sharp edges or moving parts. Damaged or entangled cords increase the risk of electric shock.
- When operating a power tool outdoors, use an extension cord suitable for outdoor use.** Use of a cord suitable for outdoor use reduces the risk of electric shock.

3. Personal safety

- Stay alert, watch what you are doing and use common sense when operating a power tool.** Do not use a power tool while you are tired or under the influence of drugs, alcohol or medication. A moment of inattention while operating power tools may result in serious personal injury.
- Use personal protective equipment.** Always wear eye protection. Protective equipment such as dust mask, non-skid safety shoes, hard hat, or hearing protection used for appropriate conditions will reduce personal injuries.
- Prevent unintentional starting.** Ensure the switch is in the off-position before connecting to power source and/or battery pack, picking up or carrying the tool. Carrying power tools with your finger on the switch or energising power tools that have the switch on invites accidents.
- Remove any adjusting key or wrench before turning the power tool on.** A wrench or a key left attached to a rotating part of the power tool may result in personal injury.
- Do not overreach.** Keep proper footing and balance at all times. This enables better control of the power tool in unexpected situations.
- Dress properly.** Do not wear loose clothing or jewellery. Keep your hair, clothing and gloves away from moving parts. Loose clothes, jewellery or long hair can be caught in moving parts.
- If devices are provided for the connection of dust extraction and collection facilities, ensure these are connected and properly used.** Use of dust collection can reduce dust-related hazards.
- Do not let familiarity gained from frequent use of tools allow you to become complacent and ignore tool safety principles.** A careless action can cause severe injury within a fraction of a second.

4. Power tool use and care

- Do not force the power tool.** Use the correct power tool for your application. The correct power tool will do the job better and safer at the rate for which it was designed.
- Do not use the power tool if the switch does not turn it on and off.** Any power tool that cannot be controlled with the switch is dangerous and must be repaired.
- Disconnect the plug from the power source and/or the battery pack from the power tool before making any adjustments, changing accessories, or storing power tools.** Such preventive safety measures reduce the risk of starting the power tool accidentally.
- Store idle power tools out of the reach of children and do not allow persons unfamiliar with the power tool or these instructions to operate the power tool.** Power tools are dangerous in the hands of untrained users.
- Maintain power tools.** Check for misalignment or binding of moving parts, breakage of parts and any other condition that may affect the power tool's operation. If damaged, have the power tool repaired before use. Many accidents are caused by poorly maintained power tools.
- Keep cutting tools sharp and clean.** Properly maintained cutting tools with sharp cutting edges are less likely to bind and are easier to control.
- Use the power tool, accessories and tool bits etc. in accordance with these instructions, taking into account the working conditions and the work to be performed.** Use of the power tool for operations different from those intended could result in a hazardous situation.
- Keep handles and grasping surfaces dry, clean and free from oil and grease.** Slippery handles and grasping surfaces do not allow for safe handling and control of the tool in unexpected situations.


5. Battery tool use and care

- Recharge only with the charger specified by the manufacturer.** A charger that is suitable for one type of battery pack may create a risk of fire when used with another battery pack.
- Use power tools only with specifically designated battery packs.** Use of any other battery packs may create a risk of injury and fire.
- When battery pack is not in use, keep it away from other metal objects, like paper clips, coins, keys, nails, screws or other small metal objects, that can make a connection from one terminal to another.** Shorting the battery terminals together may cause burns or a fire.
- Under abusive conditions, liquid may be ejected from the battery; avoid contact. If contact accidentally occurs, flush with water. If liquid contacts eyes, additionally seek medical help.** Liquid ejected from the battery may cause irritation or burns.
- Do not use a battery pack or tool that is damaged or modified.** Damaged or modified batteries may exhibit unpredictable behaviour resulting in fire, explosion or risk of injury.
- Do not expose a battery pack or tool to fire or excessive temperature.** Exposure to fire or temperature above 130°C may cause explosion.
- Follow all charging instructions and do not charge the battery pack or tool outside the temperature range specified in the instructions.** Charging improperly or at temperatures outside the specified range may damage the battery and increase the risk of fire.

6. Service

- Have your power tool serviced by a qualified repair person using only identical replacement parts.** This will ensure that the safety of the power tool is maintained.
- Never service damaged battery packs.** Service of battery packs should only be performed by the manufacturer or authorized service provider.

CULTIVATOR SAFETY WARNINGS

 **WARNING!** This appliance is not intended for use by persons (including children) with reduced physical, sensory or mental capabilities, or lack of experience and knowledge, unless they have been given supervision or instruction concerning use of the appliance by a person responsible for their safety.

- Do not operate the machine near underground electric cables, telephone lines, pipes or hoses.
- Take extra care when walking backwards as there is a possibility that you may stumble.
- Do not operate the machine on a slope that is too steep for safe operation. When on slopes, slow down and make sure you have good footing. Always work at right angles to the slope and maintain a safe and firm stance.
- Only work when visibility is good.
- Before starting the machine, make sure tines are not touching foreign objects and must be completely free to move.
- Grip the upper handle firmly with both hands. Never operate the machine with one hand.
- Be aware that the machine may unexpectedly bounce upward or jump forward if the tines should strike extremely hard, packed soil, frozen ground, or buried obstacles such as large stones, roots or stumps.
- Do not put hands, feet or any body part or clothing in the vicinity of rotating tines.
- Only guide the machine at walking pace. Do not over reach. Maintain proper footing and balance at all times.
- If the machine strikes a foreign body, examine the machine for signs of damage and carry out any necessary repairs before restarting and continuing to work.
- If the machine should start to vibrate abnormally, switch off the motor and check for the cause immediately. Vibration is generally a warning of trouble.
- Hold the upper handle to lift the machine to move it from one place to another.
- Do not drag the machine over hard ground like concrete or paved paths or up & down steps.
- Never use the machine when it is raining. Try to prevent it from getting wet or being exposed to humidity. Do not leave it outside overnight.

- Wear sturdy working shoes and long trousers to protect your legs. Never operate the machine while barefoot or wearing inappropriate footwear such as thongs or sandals.
- Wear substantial closed, non-slip footwear
- Always switch off the machine, remove the safety key and batteries and wait until the machine stops before carrying out maintenance or cleaning work. Caution! Tines continue to rotate after switching off.
- Use caution when cleaning or performing maintenance on the machine. Wear protective clothing such as gloves when performing maintenance.
- Do not pick up carry the machine while the motor is running.
- Do not stand to the side or in front of the machine while it is in operation.
- Inspect the area thoroughly where the machine is to be used and remove all foreign objects.
- Exercise extreme caution when changing direction.