

RETRACTABLE AIR HOSE REEL WARNINGS



WARNING! The appliance is not to be used by persons (including children) with reduced physical, sensory or mental capabilities, or lack of experience and knowledge, unless they have been given supervision or instruction. Young children should be supervised to ensure that they do not play with the appliance.

1. After use, switch off the compressed air and empty the hose.
2. The equipment must only be operated in an ambient temperature of 5 to 40°C. The hose must not be exposed to direct sunlight, as this can result in damage to the hose over time.
3. Do not expose the equipment to rain. Never use the equipment in damp or wet locations.
4. Disconnect the hose reel from the compressor after use.
5. Protect the hose from heat, oil and sharp edges.
6. Keep the hose retracted and wound up when not in use.
7. Do not release hose when it is retracting. The hose may whip about and cause injury.
8. Ensure hose is locked before putting hose or connected tool down.
9. Secure hose reel to the wall according to instructions in the manual before use.



WARNING! Refer to instruction manuals of all independent tools/accessories connected to the air hose and adhere to all safety warnings before use.

OZITO

RETRACTABLE AIR HOSE REEL

9M

INSTRUCTION MANUAL

SPECIFICATIONS

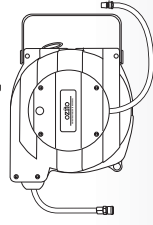
Max. Operating Pressure: 10bar (145psi)
Connecting Hose Length: 1m
Air Hose Length: 9m
Working Temperature: 5 to 60°C
Swivel Range: 0 to 180°
Fittings: 1/4" BSP Nitto
Weight: 2.815kg

ozito.com.au

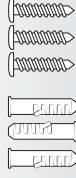
3 YEAR REPLACEMENT WARRANTY

AAHR-090

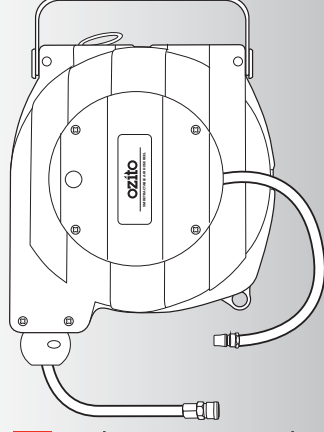
STANDARD EQUIPMENT



Air Hose Reel



3 x Wall Plugs & 3 x Screws



WARRANTY

IN ORDER TO MAKE A CLAIM UNDER THIS WARRANTY YOU MUST RETURN THE PRODUCT TO YOUR NEAREST BUNNINGS WAREHOUSE WITH YOUR BUNNINGS REGISTER RECEIPT. PRIOR TO RETURNING YOUR PRODUCT FOR WARRANTY PLEASE TELEPHONE OUR CUSTOMER SERVICE HELPLINE:

Australia 1800 069 486
New Zealand 0508 069 486

TO ENSURE A SPEEDY RESPONSE PLEASE HAVE THE MODEL NUMBER AND DATE OF PURCHASE AVAILABLE. A CUSTOMER SERVICE REPRESENTATIVE WILL TAKE YOUR CALL AND ANSWER ANY QUESTIONS YOU MAY HAVE RELATING TO THE WARRANTY POLICY OR PROCEDURE.

The benefits provided under this warranty are in addition to other rights and remedies which are available to you at law.

Our goods come with guarantees that cannot be excluded at law. You are entitled to a replacement or refund for a major failure and for compensation for any other reasonably foreseeable loss or damage. You are also entitled to have the goods repaired or replaced if the goods fail to be of acceptable quality and the failure does not amount to a major failure.

Generally you will be responsible for all costs associated with a claim under this warranty, however, where you have suffered any additional direct loss as a result of a defective product you may be able to claim such expenses by contacting our customer service helpline above.

3 YEAR REPLACEMENT WARRANTY

Your product is guaranteed for a period of **36 months from the original date of purchase**. If a product is defective it will be replaced in accordance with the terms of this warranty. Warranty excludes consumable parts, for example: valve adapters and accessories.

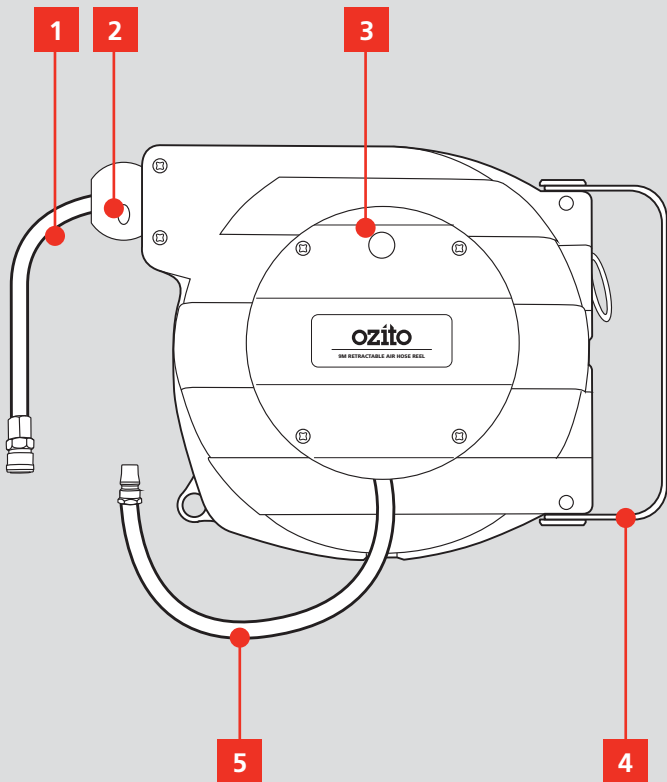
WARNING! The following actions will result in the warranty being void.

- If the tool has been operated on a supply voltage other than that specified on the tool.
- If the tool shows signs of damage or defects caused by or resulting from abuse, accidents or alterations.
- Failure to perform maintenance as set out within the instruction manual.
- If the tool is disassembled or tampered with in any way.
- Professional, industrial or high frequency use.

KNOW YOUR PRODUCT

RETRACTABLE AIR HOSE REEL

1. Air Hose
2. Reel Stopper
3. Hose Reel
4. Wall Mount Bracket
5. Connecting Hose



ONLINE MANUAL

Scan this QR Code with your mobile device to take you to the online manual.



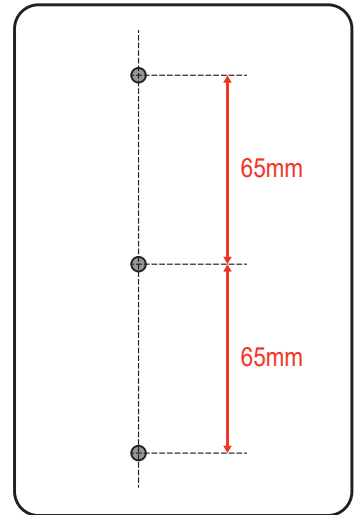
SETUP & PREPARATION

1. INSTALLING THE HOSE REEL

Mounting To a Wall

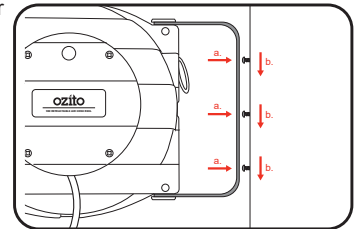
Use the supplied screws to mount the hose reel to the wall. If mounting to concrete, brick or masonry walls, use the supplied wall plugs as well.

1. Mark and drill out 3 holes spaced 65mm apart where you wish to mount the hose reel.



2. Attach the screws to the wall.

3. Slide holes in the bracket over the screw heads and down to lock hang the reel.



4. Swivel the reel out of the way and tighten the screws as necessary.



WARNING! ALWAYS SECURE RETRACTABLE AIR HOSE REEL TO WALL AS DESCRIBED IN MANUAL BEFORE USE.

3 YEAR REPLACEMENT WARRANTY

OPERATION

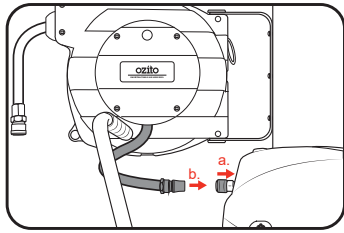
2. ATTACHING TOOLS

Connecting To An Air Compressor

WARNING! ENSURE THE AIR COMPRESSOR IS TURNED OFF AND DISCONNECTED FROM THE POWER SUPPLY BEFORE PERFORMING ANY OF THE FOLLOWING OPERATIONS.

Ensure that there is a female Nitto connector on the air compressor outlet.

1. Pull back the sleeve on the female Nitto connector and insert the connecting hose.
2. Release the sleeve; the Nitto coupling should click into place.

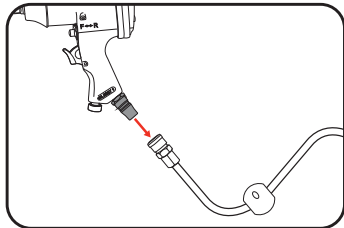


3. Check that the fitting is secure by tugging gently on the connecting hose. If the hose detaches, repeat steps 1 and 2, pushing the Nitto fitting firmly into the outlet.

Connecting Air Tools & Accessories

A male Nitto connector will need to be fitted to any air tool or accessory you wish to connect.

1. Pull back the sleeve of the Nitto Connector on the air hose.
2. Insert the Nitto connector on the air tool/accessory. Release the sleeve; the Nitto coupling should click into place.



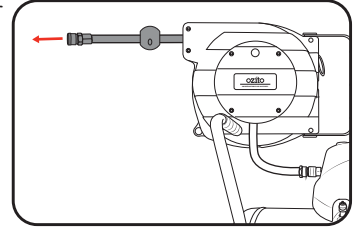
3. Check that the fitting is secure by tugging gently on the air hose. If the hose detaches, repeat steps 1 and 2, pushing the Nitto fitting firmly into the outlet.

3. USING THE HOSE REEL

Extending The Air Hose

The air hose will make a grating sound and lock at regular intervals as you extend it.

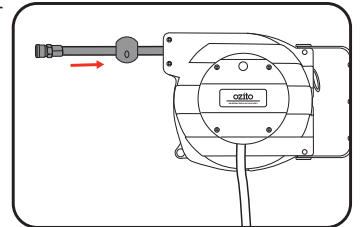
1. Pull gently but firmly on the air hose to unwind it.



WARNING! ENSURE THE GRATING SOUND IS HEARD AND THE AIR HOSE HAS REACHED ONE OF ITS LOCKING INTERVALS BEFORE RELEASING THE HOSE, OTHERWISE IT MAY RETRACT RAPIDLY AND WHIP ABOUT.

Retracting The Air Hose

1. Disconnect any air tool or accessory from the end of the air hose.
2. Tug gently but firmly on the air hose until the grating sound is heard again to release the interval lock.
3. Maintain a firm grip on the air hose and steadily feed it back into the reel.



WARNING! DO NOT LET GO OF THE HOSE WHILE IT IS RETRACTING, AS THIS CAN CAUSE THE END OF THE HOSE TO WHIP ABOUT AND CAUSE INJURY OR DAMAGE.

MAINTENANCE



WARNING! BEFORE CLEANING YOUR TOOL OR CARRYING OUT ANY MAINTENANCE PROCEDURE, DISCONNECT ANY AIR TOOLS, ACCESSORIES AND AIR COMPRESSORS FROM THE HOSES.









Cleaning

1. Keep the hose and housing free of dust and dirt. Wipe it down with a clean cloth or blow it with compressed air at low pressure.
2. Clean the hose before retracting it back into the reel.
3. Clean the appliance regularly with a damp cloth. Do not use cleaning agents or solvents; these may be aggressive to the plastic parts in the appliance. Ensure that no water can get into the interior of the appliance.

Storage

Disconnect any air tools, accessories and air compressors. Clean the hose and housing, retract it into the reel and make sure it is not accessible to unauthorised persons.

DESCRIPTION OF SYMBOLS

 BSP	British Standard Pipe	 psi	Pounds per square inch
 °C	Degrees Celsius	 m	Metres
	Wear eye protection		Wear hearing protection
	Read Instruction Manual		Do not expose to rain or water

CARING FOR THE ENVIRONMENT



Power tools that are no longer usable should not be disposed of with household waste but in an environmentally friendly way. Please recycle where facilities exist. Check with your local council authority for recycling advice.



Recycling packaging reduces the need for landfill and raw materials. Reuse of recycled material decreases pollution in the environment. Please recycle packaging where facilities exist. Check with your local council authority for recycling advice.

SPARE PARTS

Spare parts can be ordered from the Special Orders Desk at your local Bunnings Warehouse.

For further information, or any parts not listed here, visit www.ozito.com.au or contact Ozito Customer Service:

Australia 1800 069 486

New Zealand 0508 069 486

E-mail: enquiries@ozito.com.au