

- EN** Operating instructions
Cordless Heat Gun
- FR** Mode d'emploi
Pistolet à air chaud sans fil
- SP** Manual de instrucciones
Pistola de aire caliente inalámbrica

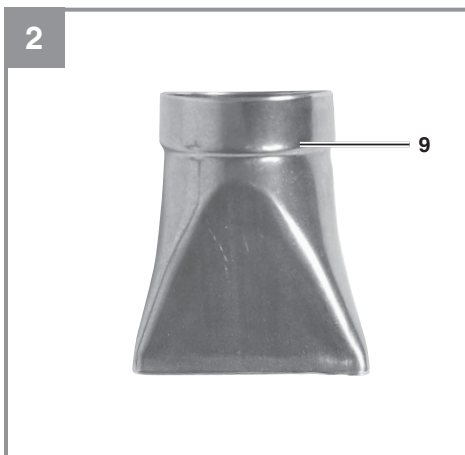


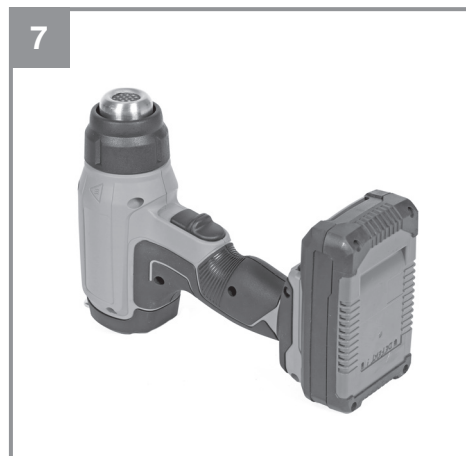
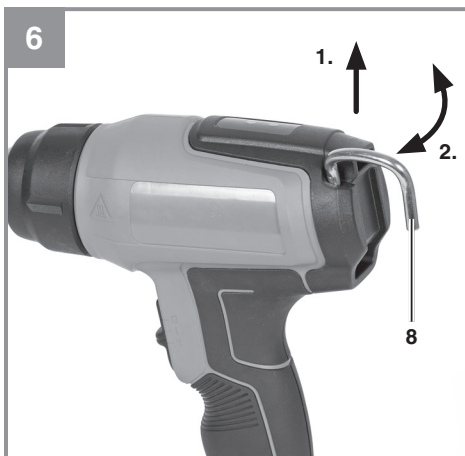
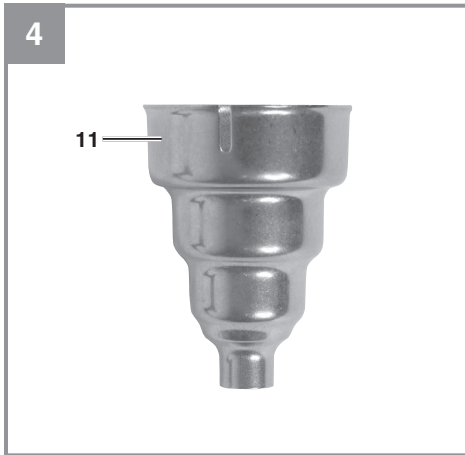
7 

Art.-Nr.: 4520502

I.-Nr.: 21011









Danger! - Read the operating instructions to reduce the risk of injury.



Store the batteries only in dry rooms with an ambient temperature of 50°F to 104°F (+10°C to +40°C).
Place only fully charged batteries in storage (charged at least 40%).

DANGER!

When using the equipment, a number of safety precautions must be observed to avoid injuries and damage. Please read the complete operating instructions and safety information with due care. Keep these operating instructions in a safe place so that the information is available at all times. If you give the equipment to any other person, hand over these operating instructions and the safety information as well. We cannot accept any liability for damage or accidents which arise due to failure to follow these instructions and the safety information.

1. Safety information

IMPORTANT SAFETY INSTRUCTIONS

DANGER!

Read all the safety information and instructions. Failure to adhere to the safety information and instructions set out below may result in electric shock, fire and/or serious injury. **Keep all the safety information and instructions in a safe place for future use.**

General safety information for power tools

The term "power tool" used in the safety regulations refers to power tools operated from the mains power supply (with a power cable) and to battery operated power tools (without a power cable).

1) Work area safety

- a) **Keep work area clean and well lit.** *Cluttered and dark areas invite accidents.*
- b) **Do not operate power tools in explosive atmospheres, such as in the presence of flammable liquids, gases or dust.** *Power tools create sparks which may ignite the dust or fumes.*
- c) **Keep children and bystanders away while operating a power tool.** *Distractions can cause you to lose control.*

2) Electrical safety

- a) **Power tool plugs must match the outlet. Never modify the plug in any way. Do not use any adapter plugs with earthed (grounded) power tools.** *Unmodified plugs and matching outlets will reduce risk of electric shock.*
- b) **Avoid body contact with earthed or**

grounded surfaces such as pipes, radiators, ranges and refrigerators. *There is an increased risk of electric shock if your body is earthed or grounded.*

- c) **Do not expose power tools to rain or wet conditions.** *Water entering a power tool will increase the risk of electric shock.*
 - d) **Do not abuse the cord. Never use the cord for carrying, pulling or unplugging the power tool. Keep cord away from heat, oil, sharp edges or moving parts.** *Damaged or entangled cords increase the risk of electric shock.*
 - e) **When operating a power tool outdoors, use an extension cord suitable for outdoor use.** *Use of a cord suitable for outdoor use reduces the risk of electric shock.*
 - f) **If operating a power tool in a damp location is unavoidable, use a ground fault circuit interruptor (GFCI) protected supply.** *Use of an GFCI reduces the risk of electric shock.*
- 3) Personal safety**
- a) **Stay alert, watch what you are doing and use common sense when operating a power tool. Do not use a power tool while you are tired or under the influence of drugs, alcohol or medication.** *A moment of inattention while operating power tools may result in serious personal injury.*
 - b) **Use personal protective equipment. Always wear eye protection.** *Protective equipment such as dust mask, non-skid safety shoes, hard hat, or hearing protection used for appropriate conditions will reduce personal injuries.*
 - c) **Prevent unintentional starting. Ensure the switch is in the Off-position before connecting to power source and/or BATTERY pack, picking up or carrying the tool.** *Carrying power tools with your finger on the switch or energizing power tools that have the switch on invites accidents.*
 - d) **Remove any adjusting key or wrench before turning the power tool on.** *A wrench or a key left attached to a rotating part of the power tool may result in personal injury.*
 - e) **Do not overreach. Keep proper footing and balance at all times.** *This enables better control of the power tool in unexpected situations.*
 - f) **Dress properly. Do not wear loose clothing or jewellery. Keep your hair,**

- clothing and gloves away from moving parts.** *Loose clothes, jewelery or long hair can be caught in moving parts.*
- g) **If devices are provided for the connection of dust extraction and collection facilities, ensure these are connected and properly used.** *Use of these devices can reduce dust related hazards.*
- h) **Do not let familiarity gained from frequent use of tools allow you to become complacent and ignore tool safety principles.** *A careless action can cause severe injury within a fraction of a second.*
- 4) Power tool use and care**
- a) **Do not force the power tool. Use the correct power tool for your application.** *The correct power tool will do the job better and safer at the rate for which it was designed.*
- b) **Do not use the power tool if the switch does not turn it on and off.** *Any power tool that cannot be controlled with the switch is dangerous and must be repaired.*
- c) **Disconnect the plug from the power source and/or remove the battery pack, if detachable, from the power tool before making any adjustments, changing accessories, or storing power tools.** *Such preventive safety measures reduce the risk of starting the power tool accidentally.*
- d) **Store idle power tools out of the reach of children and do not allow persons unfamiliar with the power tool or these instructions to operate the power tool.** *Power tools are dangerous in the hands of untrained users.*
- e) **Maintain power tools and accessories. Check for misalignment or binding of moving parts, breakage of parts and any other condition that may affect the power tool's operation. If damaged, have the power tool repaired before use.** *Many accidents are caused by poorly maintained power tools.*
- f) **Keep cutting tools sharp and clean.** *Properly maintained cutting tools with sharp cutting edges are less likely to bind and are easier to control.*
- g) **Use the power tool, accessories and tool bits etc., in accordance with these instructions and in the manner intended for the particular type of power tool, taking into account the working conditions and the work to be performed.**
- Use of the power tool for operations different from intended could result in a hazardous situation.*
- h) **Keep handles and grasping surfaces dry, clean and free from oil and grease.** *Slippery handles and grasping surfaces do not allow for safe handling and control of the tool in unexpected situations.*
- 5) Battery tool use and care**
- a) **Recharge only with the charger specified by the manufacturer.** *A charger that is suitable for one type of battery pack may create a risk of fire when used with another battery pack.*
- b) **Use power tools only with specifically designated battery packs.** *Use of any other battery packs may create a risk of injury and fire.*
- c) **When battery pack is not in use, keep it away from other metal objects, like paper clips, coins, keys, nails, screws or other small metal objects that can make a connection from one terminal to another.** *Shorting the battery terminals together may cause burns or a fire.*
- d) **Under abusive conditions, liquid may be ejected from the battery; avoid contact. If contact accidentally occurs, flush with water. If liquid contacts eyes, additionally seek medical help.** *Liquid ejected from the battery may cause irritation or burns.*
- e) **Do not use a BATTERY pack or tool that is damaged or modified.** *Damaged or modified batteries may exhibit unpredictable behavior resulting in fire, EXPLOSION or risk of injury.*
- f) **Do not expose a BATTERY pack or tool to fire or excessive temperature.** *Exposure to fire or temperature above 266°F (130°C) may cause explosion.*
- g) **Follow all charging instructions and do not charge the BATTERY pack or tool outside the temperature range specified in the instructions.** *Charging improperly or at temperatures outside the specified range may damage the BATTERY and increase the risk of fire.*
- 6) Service**
- a) **Have your power tool serviced by a qualified repair person using only identical replacement parts.** *This will ensure that the safety of the power tool is maintained.*

b) **Never service damaged BATTERY packs.**

Service of BATTERY packs should only be performed by the manufacturer or authorized service providers.

Additional safety instructions

We pay a great deal of attention to the design of every battery pack to ensure that we supply you with batteries which feature maximum power density, durability and safety. The battery cells have a wide range of safety devices. Each individual cell is initially formatted and its electrical characteristic curves are recorded. These data are then used exclusively to be able to assemble the best possible battery packs.

Despite all the safety precautions, caution must always be exercised when handling batteries. The following points must be obeyed at all times to ensure safe use. Safe use can only be guaranteed if undamaged cells are used. Incorrect handling can cause cell damage.

Caution! Analyses confirm that incorrect use and poor care are the main causes of the damage caused by high performance batteries.

Information about the battery

1. The battery pack supplied with your cordless tool is not charged. The battery pack has to be charged before you use the tool for the first time.
2. For optimum battery performance avoid low discharge cycles. Charge the battery pack frequently.
3. Store the battery pack in a cool place, ideally at 59°F (15°C) and charged to at least 40%.
4. Lithium-Ion batteries are subject to a natural ageing process. The battery pack must be replaced at the latest when its capacity falls to just 80% of its capacity when new. Weakened cells in an aged battery pack are no longer capable of meeting the high power requirements and therefore pose a safety risk.
5. Do not throw battery packs into an open fire. There is a risk of explosion!
6. Do not ignite the battery pack or expose it to fire.
7. **Do not exhaustively discharge batteries.** Exhaustive discharge will damage the battery cells. The most common cause of deep discharge is lengthy storage or non-use of partly discharged batteries. Stop working as soon as the performance of the battery falls noticeably or the electronic protection system

triggers. Place the battery pack in storage only after it has been fully charged.

8. **Protect batteries and the tool from overloads.** Overloads will quickly result in overheating and cell damage inside the battery housing without this overheating actually being apparent externally.
9. **Avoid damage and shocks.** Replace batteries which have been dropped from a height of more than one meter or which have been exposed to violent shocks without delay, even if the housing of the battery pack appears to be undamaged. The battery cells inside the battery may have suffered serious damage. In this respect, please also read the waste disposal information.
10. If the battery pack suffers overloading and overheating, the integrated protective cut-off will switch off the equipment for safety reasons. Caution! Do not press the ON/OFF switch any more if the protective cut-off has actuated. This may damage the battery.
11. Use only original battery packs. The use of other batteries may result in injuries, explosion and a fire risk.
12. **Protect your rechargeable battery against moisture, rain and high humidity.** Moisture, rain and high humidity can cause dangerous cell damage. Never charge or work with batteries which have been exposed to moisture, rain or high humidity – replace them immediately.
13. If your equipment is fitted with a detachable battery, remove the battery for safety reasons after you have finished your work.

Information on chargers and the charging process

1. Please check the data marked on the rating plate of the battery charger. Be sure to connect the battery charger to a power supply with the voltage marked on the rating plate. Never connect it to a different mains voltage.
2. Protect the battery charger and its cable from damage and sharp edges. Have damaged cables repaired without delay by a qualified electrician.
3. Keep the battery charger, batteries and the cordless tool out of children's reach.
4. Do not use damaged battery chargers.
5. Do not use the supplied battery charger to charge other cordless tools.
6. In heavy use the battery pack will become warm. Allow the battery pack to cool to room temperature before commencing with the

- charging.
7. **Do not over-charge batteries.** Do not exceed the maximum charging times. These charging times apply only to discharged batteries. Frequent insertion of a charged or partly charged battery pack will result in over-charging and cell damage. Do not leave batteries in the charger for more than 48 hours.
 8. **Never use or charge batteries if you suspect that the last time they were charged was more than 12 months previously.** There is a high probability that the battery pack has already suffered dangerous damage (exhaustive discharge).
 9. Charging batteries at a temperature below 50°F (10°C) will cause chemical damage to the cell and may cause a fire.
 10. Do not use batteries which have heated during the charging process, as the battery cells may have suffered dangerous damage.
 11. Do not use batteries which have suffered curvature or deformation during the charging process or which show other non-typical symptoms (gassing, hissing, cracking,...)
 12. Never fully discharge the battery pack (recommended depth of discharge max. 80%) A complete discharge of the battery pack will lead to premature ageing of the battery cells.
 13. Never charge the batteries unsupervised.

Protection from environmental influences

1. Wear suitable work clothes. Wear safety goggles.
2. **Protect your cordless tool and the battery charger from moisture and rain.** Moisture and rain can cause dangerous cell damage.
3. Do not use the cordless tool or the battery charger near vapors and inflammable liquids.
4. Use the battery charger and cordless tools only in dry conditions and an ambient temperature of 50°F to 104°F (10°C to 40°C).
5. Do not keep the battery charger in places where the temperature is liable to reach over 104°F (40°C). In particular, do not leave the battery charger in a car that is parked in the sunshine.
6. **Protect batteries from overheating.** Overloads, over-charging and exposure to direct sunlight will result in overheating and cell damage. Never charge or work with batteries which have been overheated – replace them immediately if possible.
7. **Storage of batteries, battery chargers**

- and cordless tools.** Store the charger and your cordless tool only in dry places with an ambient temperature of 50°F to 104°F (10°C to 40°C). Store the Lithium-Ion rechargeable battery in a cool and dry place at 50°F to 68°F (10°C to 20°C). Protect them from humidity and direct sunlight! Place only fully charged batteries in storage (charged at least 40%).
8. Prevent the Lithium-Ion battery pack from freezing. Battery packs which were stored below 32°F (0°C) for more than 60 minutes must be disposed of.
 9. When handling batteries beware of electrostatic charge: Electrostatic discharges cause damage of the electronic protection system and the battery cells. Avoid electrostatic charging and never touch the battery poles.

Battery Caution + Disposal

Disposal

Should your appliance need replacement after extended use, do not dispose of it with the household refuse, but in an environmentally safe way.



Waste produced by electrical machine items should not be handled like normal household rubbish. Please recycle where recycle facilities exist. Check with your local authority or retailer for recycling advice.

Always dispose of your battery pack according to federal, state, provincial and local regulations. Contact a recycling agency in your area for recycling locations.

⚠ CAUTION! Even discharged battery packs contain some energy. Before disposing, use electrical tape to cover the terminals to prevent the battery pack from shorting, which could cause a fire or explosion.

⚠ WARNING! To reduce the risk of injury or explosion, never burn or incinerate a battery pack even if it is damaged, dead, or completely discharged. When burned, toxic fumes and materials are emitted into the surrounding atmosphere.

1. Batteries vary according to device. Consult your manual for specific information.
2. Install only new batteries of the same type in your product (where applicable).
3. Failure to insert batteries in the correct polarity, as indicated in the battery compartment or manual, may shorten the life of the batteries or cause batteries to leak.

4. Do not mix old and new batteries.
5. Do not mix Alkaline, Standard (Carbon-Zinc), or Rechargeable (Nickel Cadmium, Nickel Metal Hydride, or Lithium-Ion) batteries.
6. Do not dispose of batteries in fire.
7. Batteries should be recycled or disposed of as per state, provincial and local guidelines.

When shipping or disposing of batteries and cordless tools, always ensure that they are packed individually in plastic bags to prevent short circuits and fires.

Additional safety instructions:

- **The nozzle reaches temperatures of up to 550°C (1022 °F). Fire hazard! Wear protective gloves and eye wear. The nozzle should not be touched during operation.**
- Allow the heat gun to completely cool before putting away.
- Never expose the unit to rain or moisture. Store the unit in a dry place.
- Do not leave the unit unattended. Keep out of reach of children.
- **Never direct the air flow at people or animals. Do not use the unit to dry clothing or hair. Do not use the heat gun as a hair dryer.**
- Do not use the unit near easily flammable or explosive substances or gasses.
- Never block the hot air flow by plugging or covering the air flow exit.
- Use only original accessory and replacement parts from the manufacturer.
- Do not wear loose clothing or jewelry. Wear slip-resistant shoes and wear a hair net for long hair. During operation maintain a secure footing.
- Never use the unit in wet surroundings or in areas with high humidity (bathroom, sauna, etc.).
- Check your work area for easily flammable substances and materials before using the heat gun.
- Repairs should be performed only by a qualified electrician.
- Do not use chemical paint removers or solvents at the same time as the heat gun.
- Clean the nozzle when soiled.
- Be sure that the openings for air entry and exit are always clean and free of dirt.
- Hazardous or poisonous gasses can be freed when removing paint. Be sure to provide adequate ventilation while working indoors.
- Never point the hot air directly at windows or other glass surfaces.
- This equipment can be used by children of 8 years and older and by people with limited physical, sensory or mental capacities or those with no experience and knowledge if they are supervised or have received instruction in how to use the equipment safely and understand the dangers which result from such use. Children are not allowed to play with the equipment. Unless supervised, children are not allowed to clean the equipment and carry out user-level maintenance work.
- Fires can be caused if the heat gun is not handled carefully and correctly.
- Take care when using the heat gun near inflammable substances. Do not aim the heat gun at the same point for a long time.
- Do not use in explosive atmospheres.
- Warmth may be carried to inflammable materials which are concealed.
- After use, let the heat gun cool on the stand before it is put away.
- Do not leave the heat gun unsupervised when it is in operation.
- Hidden areas such as behind walls, ceilings, floors, soffit boards and other panels may contain flammable materials that could be ignited by the heat gun when working in these locations. The ignition of these materials may not be readily apparent and could result in property damage and injury to persons. When working in these locations, keep the heat gun moving in a back-and-forth motion. Lingering or pausing in one spot could ignite the panel or the material behind it.

PERSONS REMOVING PAINT SHOULD ALWAYS FOLLOW THESE GUIDELINES:

WARNING: Extreme care should be taken when stripping paint. The peelings, residue and vapors of paint may contain lead, which is poisonous. Any pre-1977 paint may contain lead and paint applied to homes prior to 1950 is likely to contain lead. Once deposited on surfaces, hand to mouth contact can result in the ingestion of lead. Exposure to even low levels of lead can cause irreversible brain and nervous system damage; young and unborn children are particularly vulnerable. Before beginning any paint removal process you should determine whether the paint you are removing contains lead. This can be done by your local health department or by a professional who uses a paint analyzer

to check the lead content of the paint to be removed. **LEAD-BASED PAINT SHOULD ONLY BE REMOVED BY A PROFESSIONAL AND SHOULD NOT BE REMOVED USING A HEAT GUN.** Persons removing paint should follow these guidelines:

1. **Move the workpiece outdoors. If this is not possible, keep the work area well ventilated. Open the windows and put an exhaust fan in one of them.** Be sure the fan is moving the air from inside to outside.
2. Remove or cover any carpets, rugs, furniture, clothing, cooking utensils and air ducts.
3. **Place drop cloths in the work area to catch any paint chips or peelings.** Wear protective clothing such as extra work shirts, overalls and hats.
4. **Work in one room at a time. Furnishings should be removed or placed in the center of the room and covered.** Work areas should be sealed off from the rest of the dwelling by sealing doorways with drop cloths.
5. Children, pregnant or potentially pregnant women and nursing mothers should not be present in the work area until the work is done and all clean up is complete.

IMPORTANT SAFETY INSTRUCTIONS SAVE THESE INSTRUCTIONS

2. Layout and items supplied

2.1 Layout

1. On/Off switch
2. Handle
3. Nozzle
4. Ejector
5. LED-indicator
6. LED Speed 1
7. LED Speed 2
8. Belt clip
9. Wide jet nozzle
10. Reflector nozzle
11. Reducer nozzle
12. Battery pack (not included)
13. Pushlock button
14. Battery capacity indicator
15. Battery capacity indicator button

2.2 Items supplied

Please check that the article is complete as specified in the scope of delivery. If parts are missing, please contact our service center or the store where you made your purchase at the latest within 5 work days after purchasing the article and upon presentation of a valid bill of purchase.

- Open the packaging and take out the equipment with care.
- Remove the packaging material and any packaging and/or transportation braces (if present).
- Check to see if all the items are supplied.
- Inspect the equipment and accessories for transport damage.
- If possible, keep the packaging until the end of the guarantee period.

Danger!

The equipment and packaging material are not toys. Do not let children play with plastic bags, plastic sheets and small parts. There is a risk of choking and suffocating!

- Cordless Heat Gun
- Original operating instruction with safety information

Separately available accessories

18V 2.0Ah PXC Lithium-Ion battery
 18V 4.0Ah PXC Lithium-Ion battery
 18V 4.0Ah PXC Plus Lithium-Ion battery
 18V 5.2Ah PXC Plus Lithium-Ion battery
 18V 4.0Ah/6.0Ah PXC Plus Lithium-Ion battery
 18V PXC Dual Port Fast Charger
 18V PXC Fast Charger

Contact your local retailer for more specific models of batteries and charger available in your area. You can also explore battery + charger options at Einhell.com.

3. Intended use

The cordless heat gun is designed for heating shrink-fit hoses, for removing paint and for welding and shaping plastics.

Danger!


The equipment is not allowed to be used to ignite charcoal.

The equipment is allowed to be used only for its prescribed purpose. Any other use is deemed to

be a case of misuse. The user/operator and not the manufacturer will be liable for any damage or injuries of any kind resulting from such misuse.

Please note that our equipment has not been designed for use in commercial, trade or industrial applications. Our warranty will be voided if the equipment is used in commercial, trade or industrial businesses or for equivalent purposes.

4. Technical data

Motor power supply: 18V 
 Air temperature:
 Speed 1: 350°C (662°F)
 Speed 2: 550°C (1022°F)
 Air volume:
 Speed 1: 7 CFM (200 l/min)
 Speed 2: 7 CFM (200 l/min)
 Weight (Tool only): 1.3 lbs (0.6 kg)

5. Before starting the equipment

5.1 LED indicator (Fig. 5/Item 5)

The LED indicator (5) shows you which heat setting is set on the cordless heat gun. LED 1 (6) is lit for Speed 1. Both LED 1 (6) and LED 2 (7) are lit for Speed 2.

5.2 Belt clip (Fig. 6/Item 8)

The belt clip (8) allows you to clip the cordless heat gun to your belt or trouser pocket. To do so, lift the belt clip (8) and swing it out to the side. To fasten the belt clip (8), proceed in reverse order.

6. Operation

Important!

After you use the equipment for the first time, some smoke may escape from it. This is normal.

6.1 On/Off switch

Select the required working temperature and air volume with the ON/OFF switch (1).

Within a very short space of time the heat gun will reach operating temperature.

Switch position 0:

Equipment is switched off.

Switch position 1:

1st speed – 350°C (662°F)/ 7 CFM (200 liters/min.)

Switch position 2:

2nd speed – 550°C (1022°F)/ 7 CFM (200 liters/min.)

6.2 Possible uses for the heat gun:

- Removal of paint and lacquer. **Attention! Hazardous or poisonous gasses may be produced while removing paint or lacquer. Be sure to provide adequate ventilation.**
- Removal of stickers and decorations.
- Loosening of rusted or tightly fastened nuts and metal screws.
- Thawing of frozen pipes, door locks, etc. Attention: do not attempt to thaw plastic or synthetic pipes.
- Accentuation of natural wood grains before staining or lacquering.
- Shrinkage of PVC packaging foils and insulation tubes.
- Waxing and de-waxing of skis.
- Stationary use (see Fig. 7)

Danger! Intensive heating means a higher risk of fire and explosion! Ensure good ventilation. Harmful and/or toxic gases and vapors may be emitted.

6.3 Selecting the right nozzle (Fig. 2-4):

- The wide jet nozzle (9) ensures uniform air distribution on small surfaces.
- The reducer nozzle (11) provides a targeted jet of heat for corners and for soldering work.
- The reflector nozzle (10) is designed for soldering and shaping tubes, for defrosting water pipes and for shrinking insulating hoses.
- Fit the corresponding nozzle attachment onto the nozzle (3) on the heat gun.

6.4 Ejector (Fig. 8/Item 4)

The cordless heat gun is equipped with an ejector (4) for the nozzles. This allows you to remove nozzles from the equipment while they are still hot without having to touch them.

Warning!

Set the hot nozzles down on a temperature-resistant surface only!

6.5 Charging the Lithium-Ion battery (not included)

The corresponding instructions can be found in the original operating instructions for your charger.

6.6 Battery capacity indicator (Fig. 9 / item 14)

Press the battery capacity indicator switch (15). The battery capacity indicator (14) shows the charge status of the battery using 3 LEDs.

All 3 LEDs lit:

The battery is fully charged.

2 or 1 LED(s) lit:

The battery has an adequate remaining charge.

1 LED flashing:

The battery is empty, recharge the battery.

All LEDs flashing:

The temperature of the battery is too low. Remove the battery from the device and leave it at room temperature for a day. If the error occurs again, this means that the battery has been completely depth-discharged and is defective. Remove the battery from the device. Never use or charge a defective battery.

7. Cleaning and maintenance

HAZARD!

Always take the battery out of the equipment before starting any cleaning work.

7.1 Cleaning

- Keep all safety devices, air vents and the motor housing free of dirt and dust as far as possible. Wipe the equipment with a clean cloth or blow it down with compressed air at low pressure.
- We recommend cleaning the equipment

immediately each time after use.

- Clean the equipment regularly with a damp cloth and some soft soap. Do not use cleaning agents or solvents; these may be aggressive to the plastic parts in the equipment. Ensure that no water can get into the interior of the equipment. The ingress of water into an electric power tool increases the risk of an electric shock.

7.2 Maintenance

There are no other parts inside the equipment which require maintenance.

8. Disposal and recycling

The equipment is supplied in packaging to prevent it from being damaged in transit. The raw materials in this packaging can be reused or recycled. The equipment and its accessories are made of various types of material, such as metal and plastic. Never place defective equipment in your household refuse. The equipment should be taken to a suitable collection center for proper disposal. If you do not know the whereabouts of such a collection point, you should ask in your local council offices.

9. Storage

Store the equipment and its accessories out of children's reach in a dark and dry place at above freezing temperature. The ideal storage temperature is between 41°F and 86°F (5°C and 30°C). Keep the electric tool in its original packaging.

The reprinting or reproduction by any other means, in whole or in part, of documentation and papers accompanying the products is strictly subject to the express consent of Einhell Germany AG.

Subject to technical changes.



Danger! - Lire le mode d'emploi pour diminuer le risque de blessures.



Conservez les batteries uniquement dans des locaux secs et à une température ambiante de 50-104 °F (+10-+40 °C). Conservez les batteries uniquement en état chargé (au moins 40 % de charge).

Danger !

Certaines mesures de sécurité doivent être respectées pendant l'utilisation des appareils pour empêcher les blessures et les dommages. Par conséquent, lisez attentivement le présent mode d'emploi / les consignes de sécurité. Conservez-les bien pour avoir les informations toujours à la portée de la main. Si vous devez passer l'appareil à d'autres personnes, veuillez leur remettre également le présent mode d'emploi / les consignes de sécurité. Nous ne sommes pas tenus des accidents ou dommages survenus à cause de non-respect du présent mode d'emploi et des consignes de sécurité.

1. Consignes de sécurité**CONSIGNES DE SÉCURITÉ IMPORTANTES****Danger !**

Lisez toutes les consignes de sécurité et instructions. Le non-respect des consignes de sécurité et des instructions peut causer une électrocution, un incendie et / ou de graves blessures. **Conservez toutes les consignes de sécurité et instructions pour l'avenir.**

Consignes générales de sécurité pour les outils électriques

Le terme « outil électrique » utilisé dans les consignes de sécurité se réfère à des outils électriques alimentés par le secteur (avec câble d'alimentation) et à des outils électriques alimentés par la batterie (sans câble d'alimentation).

1. Sécurité du lieu de travail

- a) **Maintenez votre espace de travail propre et bien éclairé.** *Le désordre ou les espaces de travail non éclairés peuvent provoquer des accidents.*
- b) **Ne travaillez pas avec l'outil électrique dans une atmosphère explosible contenant des liquides, des gaz ou des poussières combustibles.** *Les appareils électriques génèrent des étincelles pouvant enflammer la poussière ou les vapeurs.*
- c) **Tenez à distance les enfants et autres personnes lors de l'utilisation de l'appareil électrique.** *En cas de distraction, vous pouvez perdre le contrôle de l'appareil.*

2. Sécurité électrique

- a) **La fiche de raccordement de l'appareil électrique doit être adaptée à la prise. La fiche ne doit être modifiée en aucune façon. N'utilisez pas de fiche d'adaptateur avec les outils électriques mis à la terre.** *Les fiches non modifiées et les prises adaptées diminuent le risque d'une électrocution.*
 - b) **Évitez le contact physique avec les surfaces mises à la terre, comme celles de conduits, des chauffages, des cuisinières et des réfrigérateurs.** *Il existe un risque élevé d'électrocution lorsque votre corps est mis à la terre.*
 - c) **Gardez les appareils électriques à l'abri de la pluie ou de l'humidité.** *La pénétration de l'eau dans un appareil électrique augmente le risque d'une électrocution.*
 - d) **Ne détournez pas le câble de sa fonction pour porter ou pour accrocher l'appareil électrique ou pour retirer la fiche de la prise. Gardez le câble à l'abri de la chaleur, de l'huile, des bords coupants ou des éléments mobiles de l'appareil.** *Les câbles endommagés ou enchevêtrés augmentent le risque d'une électrocution.*
 - e) **Si vous travaillez avec un appareil électrique dehors, utilisez uniquement une rallonge adaptée à l'usage à l'extérieur.** *L'utilisation d'une rallonge adaptée à l'usage à l'extérieur diminue le risque d'une électrocution.*
 - f) **Si l'appareil électrique doit être utilisé dans un environnement humide, utilisez un Disjoncteur de fuite à la terre.** *L'utilisation d'un disjoncteur de fuite à la terre diminue le risque d'une électrocution.*
- 3. Sécurité des personnes**
- a) **Soyez attentif, prenez garde à ce que vous faites et soyez raisonnable en travaillant avec un outil électrique. N'utilisez pas un appareil électrique si vous êtes fatigué ou si vous vous trouvez sous l'effet de drogues, d'alcool ou de médicaments.** *Un instant d'inattention lors de l'utilisation de l'appareil électrique peut entraîner de graves blessures.*
 - b) **Utilisez l'équipement de protection individuelle. Porter toujours une protection des yeux.** *L'équipement de protection, tel que le masque anti-poussière, les chaussures de sécurité antidérapantes, le casque protecteur ou la protection auditive utilisés dans des conditions appropriées, permet de réduire les*

- dommages corporels.*
- c) **Évitez tout démarrage non intentionnel. S'assurer que le bouton marche-arrêt est en position Arrêt (Off) avant de connecter la source de courant et/ou la BATTERIE, de prendre et de transporter l'outil. Transporter des outils électriques avec votre doigt sur le bouton marche-arrêt ou mettre sous tension des outils électriques dont le bouton marche-arrêt est position Marche (On) peut causer des accidents.**
- d) **Avant d'allumer l'outil électrique, retirez les outils de réglage ou les clés. Un outil ou une clé se trouvant dans un élément tournant de la machine peut entraîner des blessures.**
- e) **Évitez une posture anormale. Ayez un appui stable et gardez l'équilibre en permanence. Vous pouvez ainsi mieux contrôler l'outil électrique dans des situations imprévues.**
- f) **Portez des vêtements appropriés. Ne portez pas de vêtements amples ni de bijoux. Gardez les cheveux, les vêtements et les gants à distance des éléments mobiles. Des vêtements amples, bijoux ou longs cheveux peuvent être happés par les éléments mobiles.**
- g) **Si des dispositifs d'aspiration ou de récupération des poussières peuvent être montés, assurez-vous qu'ils sont connectés et peuvent être utilisés correctement. L'utilisation d'une aspiration des poussières peut diminuer les risques causés par la poussière.**
- h) **La familiarité acquise par l'utilisation fréquente des outils ne doit pas laisser place à la complaisance et à l'ignorance des principes de sécurité de l'outil. Une action imprudente peut causer de graves blessures en une fraction de seconde.**
- 4. Utilisation et traitement de l'outil électrique**
- a) **Ne surchargez pas l'appareil. Utilisez l'outil électrique adapté à votre application. Vous travaillez mieux et de manière plus sûre avec un outil électrique approprié dans la gamme de puissance indiquée.**
- b) **N'utilisez pas un outil électrique avec un interrupteur défectueux. Un outil électrique qui ne peut plus être allumé ou éteint est dangereux et doit être réparé.**
- c) **Débranchez la fiche de la source électrique et / ou retirez la batterie de l'outil électrique, si elle est amovible, avant de procéder à des ajustements, remplacer des accessoires ou ranger les outils électriques. De telles mesures préventives réduisent le risque de démarrage accidentel de l'outil électrique.**
- d) **Conservez les outils électriques non utilisés hors la portée des enfants. Ne permettez pas aux personnes qui ne sont pas familiarisées avec cet appareil ou qui n'ont pas lu ces instructions de l'utiliser. Les outils électriques sont dangereux lorsqu'ils sont utilisés par des personnes inexpérimentées.**
- e) **Entretenez les outils électriques et les accessoires. Vérifiez la dérive d'alignement ou l'attache des pièces mobiles, la rupture des pièces et s'assurer qu'aucun autre problème peut affecter le bon fonctionnement de l'outil électrique. Faire réparer l'outil endommagé avant l'utilisation. De nombreux accidents sont dus au mauvais entretien des outils électriques.**
- f) **Maintenez vos outils de coupe aiguisés et propres. Les outils de coupe aux bords tranchants bien soignés se coincent moins et sont plus aisés à guider.**
- g) **Utilisez l'outil électrique, les accessoires, les outils utilisés, etc. conformément au présent mode d'emploi. Tenez compte des conditions de travail et de l'activité à réaliser. L'utilisation des outils électriques pour des usages autres que prévus peut entraîner des situations dangereuses.**
- h) **Gardez les poignées et les surfaces de prise sèches, propres et exemptes d'huile et de graisse. Les poignées et surfaces de prise glissantes ne permettent pas d'effectuer une manipulation et un contrôle de l'outil en toute sécurité dans des situations imprévues.**
- 5. Utilisation et traitement de l'outil sans fil**
- a) **Chargez les batteries uniquement dans les chargeurs recommandés par le fabricant. L'utilisation d'un chargeur pour des batteries non appropriées présente un risque d'incendie.**
- b) **Utilisez dans les outils électriques uniquement les batteries prévues à cet effet. L'utilisation d'autres batteries peut entraîner des blessures et le risque d'incendie.**
- c) **Conservez la batterie non utilisée à distance des trombones, pièces de monnaie, clés, clous, vis ou autres menus objets en métal susceptibles de provoquer un**

pontage des contacts. *Un court-circuit entre les contacts de la batterie peut entraîner des brûlures ou le feu.*

- d) **En cas d'utilisation incorrecte, un liquide peut s'échapper de la batterie. Ne le touchez pas. Rincez à l'eau en cas de contact fortuit. Si le liquide entre en contact avec les yeux, consultez également le médecin.** *Le liquide s'échappant de la batterie peut causer des irritations cutanées ou des brûlures.*
- e) **Ne pas utiliser une BATTERIE ou un outil endommagé(e) ou modifié(e).** *Les batteries endommagées ou modifiées peuvent agir de manière imprévisible et donner lieu à un incendie, une EXPLOSION ou un risque de blessure.*
- f) **Ne pas exposer une BATTERIE ou un outil au feu ou à une température excessive.** *Une exposition au feu ou à une température supérieure à 266°F (130°C) peut causer une explosion.*
- g) **Suivre toutes les instructions de charge et ne pas charger la BATTERIE ou l'outil en dehors de la gamme de température spécifiée dans les instructions.** *Un mauvais chargement ou un chargement à des températures en dehors de la gamme spécifiée peut endommager la BATTERIE et augmenter les risques d'incendie.*
- 6. Service**
- a) **Faites réparer votre outil électrique uniquement par des spécialistes qualifiés et uniquement avec des pièces de rechange d'origine.** *Cela garantit le maintien de la sécurité de l'outil électrique.*
- b) **Ne jamais entretenir des BATTERIES endommagées.** *L'entretien des BATTERIES doit être effectué uniquement par le fabricant ou par des prestataires de service autorisés.*

Consignes spécifiques de sécurité

Nous construisons chaque batterie avec le plus grand soin possible pour pouvoir vous transmettre les batteries avec la densité énergétique, la durabilité et la sécurité maximales. Les cellules de batterie sont munies de dispositifs de sécurité de plusieurs niveaux. Chaque cellule individuelle est d'abord formatée, et leurs courbes caractéristiques sont enregistrées. Ensuite, ces données sont utilisées pour pouvoir regrouper les meilleures batteries possible.

Malgré toutes les mesures de sécurité, il faut toujours être prudent en maniant les

batteries. Les points suivants doivent être impérativement respectés pour assurer le fonctionnement sûr.

Le fonctionnement sûr n'est possible qu'avec des cellules intactes ! Une manipulation incorrecte endommage les cellules.

Attention ! Des analyses confirment que l'utilisation gravement inappropriée et des soins incorrects constituent la cause principale des dommages dus aux batteries haute performance.

Consignes concernant les batteries

1. La batterie de l'appareil sans fil n'est pas chargée à la livraison. Par conséquent, la batterie doit être chargée avant la première mise en service.
2. Évitez des cycles de décharge à plat pour garantir la performance maximale de la batterie ! Chargez souvent votre batterie.
3. Conservez votre batterie au frais, au mieux à 59 °F (+15 °C), et chargée d'au moins à 40%.
4. Les batteries Lithium-Ion sont sujettes au vieillissement naturel. La batterie doit être remplacée au plus tard lorsque la capacité de la batterie ne correspond plus qu'à 80 % de l'état neuf. Les cellules affaiblies dans une batterie vieilli ne tiennent plus la tête aux exigences élevées en terme de performance et présentent ainsi un risque de sécurité.
5. Ne jetez pas les batteries usées dans le feu ouvert. Risque d'explosion !
6. Ne pas allumer la batterie et ne pas l'exposer à la combustion.
7. **Ne pas décharger complètement la batterie !** La décharge complète endommage les cellules de la batterie. La cause la plus fréquente de la décharge complète de la batterie constitue un stockage ou non-utilisation prolongés des batteries à moitié chargées. Terminez l'opération dès que la puissance diminue visiblement ou la protection électronique réagit. Ne conservez la batterie que complètement chargée.
8. **Protéger les batteries et l'appareil contre la surcharge !** Une surcharge provoque rapidement la surchauffe et l'endommagement des cellules à l'intérieur du boîtier de batterie, sans que cela puisse se voir de l'extérieur.
9. **Évitez les détériorations et les chocs !** Remplacez sur-le-champ les batteries ayant chuté d'une hauteur de plus d'un mètre ou ayant été exposées à des coups violents, même si le boîtier de la batterie semble intact.

Les cellules de la batterie peuvent être sérieusement endommagées à l'intérieur. Respectez à cet égard également les consignes d'élimination.

10. En cas de surcharge et de surchauffe, le circuit de protection intégré éteint l'appareil pour des raisons de sécurité.
Attention ! N'actionnez plus l'interrupteur marche / arrêt lorsque le circuit de protection a éteint l'appareil. Cela peut endommager la batterie.
11. N'utilisez que des batteries d'origine. L'utilisation d'autres batteries peut entraîner des blessures, une explosion et le risque d'incendie.
12. **Protégez votre batterie de l'humidité, de la pluie et de l'humidité de l'air élevée.** L'humidité, la pluie et l'humidité de l'air élevée peuvent endommager dangereusement les cellules. En aucun cas, ne chargez ni ne travaillez avec la batterie qui a été exposée à l'humidité, à la pluie ou à l'humidité de l'air élevée – remplacez-les immédiatement !
13. Si votre appareil est équipé d'une batterie amovible, retirez-la de votre appareil à la fin de votre travail pour des raisons de sécurité.
8. **N'utilisez ni chargez pas les batteries que vous supposez avoir été chargées pour la dernière fois depuis plus de 12 mois.** Il est hautement probable que la batterie est déjà dangereusement endommagée (déchargement complet).
9. Un chargement à une température inférieure à 50 °F (10 °C) entraîne une détérioration chimique de la cellule et peut provoquer un incendie.
10. N'utilisez pas de batteries qui se sont réchauffées pendant le chargement, car les cellules de la batterie pourraient être dangereusement endommagées.
11. N'utilisez plus les batteries qui se sont bombées ou déformées pendant le chargement ou qui présentent des symptômes inhabituels (dégazage, sifflement, grésillement, ...).
12. Ne déchargez pas complètement la batterie (déchargement maximal recommandé max. 80 %). Le déchargement complet entraîne un vieillissement précoce des cellules de la batterie.
13. Ne chargez jamais les batteries sans surveillance !

Consignes concernant le chargeur et la charge

1. Tenez compte des informations indiquées sur la plaque signalétique du chargeur. Raccordez le chargeur uniquement à la tension d'alimentation indiquée sur la plaque signalétique.
 2. Protégez le chargeur et le fil contre l'endommagement et les bords coupants. Les câbles endommagés doivent être immédiatement remplacés par un électricien.
 3. Protéger le chargeur, les batteries et l'appareil sans fil contre les enfants.
 4. Ne pas utiliser des chargeurs endommagés.
 5. N'utilisez pas le chargeur fourni pour charger d'autres appareils sans fil.
 6. En cas de forte sollicitation, la batterie se réchauffe. Laissez refroidir la batterie à la température ambiante avant le chargement.
 7. **Ne pas surcharger les batteries !** Respectez les durées maximales du chargement. Ces durées de chargement s'appliquent uniquement aux batteries déchargées. Le branchement répété d'une batterie chargée ou partiellement chargée entraîne la surcharge et l'endommagement des cellules. Ne pas laisser les batteries insérées dans le chargeur pendant plus que 48 heures.
- #### Protection contre l'impact environnemental
1. Portez des vêtements de travail appropriés. Porter des lunettes de protection.
 2. **Protégez votre appareil sans fil et le chargeur contre l'humidité et la pluie.** L'humidité et la pluie peuvent entraîner des endommagements dangereux des cellules.
 3. Ne pas utiliser l'appareil sans fil et le chargeur dans un espace contenant des vapeurs et des liquides combustibles.
 4. Utilisez le chargeur et les appareils sans fil uniquement en état sec et à une température ambiante de 50-104 °F (10-40 °C).
 5. Ne conservez pas la batterie dans des endroits où la température peut être supérieure à 104 °F (40 °C), en particulier dans un véhicule garé au soleil.
 6. **Protégez les batteries contre la surchauffe !** Une surcharge, un chargement excessif ou le rayonnement solaire entraînent la surchauffe et détériorent les cellules. Ne chargez ni travaillez en aucun cas avec les batteries qui ont été surchauffées, remplacez-les sans tarder.
 7. **Conservation des batteries, des chargeurs et de l'appareil sans fil.** Conservez le chargeur et votre appareil sans fil uniquement dans des locaux secs à une température ambiante de 50-104 °F (10-40 °C).

- Conservez la batterie Lithium-Ion au frais et au sec à 50-68 °F (10-20 °C). Protégez contre l'humidité de l'air et le rayonnement solaire direct ! Conservez les batteries uniquement en état chargé (au moins 40 % de charge).
- Empêchez que la batterie Lithium-Ion gèle. Les batteries qui ont été conservées plus de 60 minutes au-dessous de 32 °F (0 °C) doivent être éliminées.
 - Attention lors de la manipulation des batteries en rapport avec la charge électrostatique : les décharges électrostatiques endommagent la protection électronique et les cellules de la batterie ! Par conséquent, évitez les décharges électrostatiques et ne touchez jamais les pôles de la batterie !

Mise en garde concernant les batteries et informations sur leur élimination

Élimination

Si votre outil doit être remplacé après une période d'utilisation prolongée, ne le jetez pas avec les ordures ménagères, mais éliminez-le d'une manière respectueuse pour l'environnement.



Les déchets produits par les éléments d'un outil ou d'une machine électrique ne doivent pas être traités comme des déchets ménagers. Veuillez les recycler dans les installations prévues à cet effet.

Pour obtenir des conseils sur le recyclage, communiquez avec les services publics locaux ou avec votre revendeur.

Éliminez toujours les batteries en vous conformant aux réglementations fédérales, provinciales ou territoriales et locales.

Communiquez avec un organisme de recyclage de votre région pour obtenir la liste des sites de recyclage.

⚠ MISE EN GARDE! Même déchargée, une batterie emmagasine une certaine énergie. Avant de l'éliminer, utilisez du ruban isolant pour couvrir les bornes et empêcher ainsi la batterie de provoquer un court-circuit, ce qui pourrait causer un incendie ou une explosion.

⚠ AVERTISSEMENT! Pour réduire le risque de blessure ou d'explosion, ne jamais brûler ou incinérer une batterie, même si elle est endommagée, à plat ou complètement déchargée. En brûlant, des vapeurs et des matières toxiques sont émises dans l'atmosphère environnante.

- Les batteries varient selon le type d'outils ou de machines. Consulter le manuel pour des

- renseignements spécifiques.
- Le cas échéant, insérez uniquement des batteries neuves de même type dans l'outil ou la machine.
 - Si, en l'insérant, la polarité de la batterie n'est pas respectée, comme indiqué dans le compartiment à batterie ou dans le manuel, sa durée de vie pourrait être réduite ou elle pourrait fuir.
 - Ne pas mélanger des batteries anciennes et des neuves.
 - Ne pas mélanger des batteries alcalines, standard (carbone/zinc) ou rechargeables (au nickel-cadmium, au nickel-métal-hydrure ou au lithium-ion).
 - Ne jeter aucune batterie au feu. Les cellules de batterie peuvent exploser.
 - Les batteries doivent être recyclées ou éliminées en observant les directives provinciales ou territoriales et locales.

Pour expédier ou éliminer les batteries ou l'appareil sans fil, veillez à ce qu'ils soient emballés individuellement dans un sac en plastique pour empêcher les courts-circuits ou les incendies !

Consignes de sécurité supplémentaires :

- La buse atteint une température de 550°C (1022°F). Attention, risque de brûlure! Portez des gants et des lunettes de protection. Ne pas toucher la buse lors du fonctionnement.
- Laisser refroidir le pistolet à air chaud avant de le ranger.
- Ne jamais exposer l'appareil à l'humidité ou à la pluie. Entreposez l'appareil dans un endroit sec.
- Ne jamais laisser l'appareil sans surveillance. Gardez l'appareil hors de portée des enfants.
- Ne jamais diriger le jet d'air vers une personne ou un animal. Cet appareil n'est pas destiné au séchage des vêtements ou des cheveux. Le pistolet à air chaud ne doit pas être utilisé comme sèche-cheveux.
- L'appareil ne doit pas être utilisé à proximité de substances ou de gaz inflammables ou explosifs.
- Ne jamais empêcher le jet d'air en obstruant ou en couvrant la sortie d'air.
- N'utilisez que des pièces détachées et accessoires originaux du fabricant.
- Ne pas porter de vêtements amples ou de bijoux. Portez des chaussures à semelles

antidérapantes et utilisez un filet pour les cheveux longs. Maintenez un pied sûr lors des travaux.

- Ne jamais utiliser l'appareil dans un environnement humide ou dans des endroits présentant d'importants taux d'humidité de l'air (salle de bains, sauna, etc.).
- Avant d'utiliser le pistolet à air chaud, contrôlez votre zone d'activité quant à des substances ou matériaux facilement inflammables.
- Les réparations ne doivent être effectuées uniquement par un électricien qualifié.
- Ne pas utiliser de solvants ou de décapants chimiques pendant l'utilisation du pistolet à air chaud.
- Nettoyez la buse en cas de salissures.
- Gardez les ouvertures d'entrée et de sortie de l'air propres.
- Lors du décapage de peintures, des vapeurs toxiques et/ou nuisibles peuvent se former. Lors de travaux en intérieur, veillez à une aération suffisante de la pièce.
- Ne jamais diriger directement le jet d'air chaud sur une vitre ou autre surface en verre.
- Cet appareil peut être utilisé par les enfants à partir de 8 ans et les personnes avec des capacités physiques, sensorielles ou intellectuelles diminuées ou possédant un manque d'expérience ou de connaissances à condition qu'elles soient surveillées ou aient reçus les instructions relatives à l'utilisation sûre de l'appareil et qu'elles comprennent les risques résultant de cette utilisation. Les enfants ne doivent pas jouer avec l'appareil. Les enfants ne doivent pas effectuer le nettoyage et la maintenance de l'utilisateur sans surveillance.
- Un incendie peut se produire si on ne manipule pas l'appareil avec précaution.
- Soyez prudent lors de l'utilisation de l'appareil à proximité de matériaux inflammables. Ne vissez pas le pistolet à air chaud au même point pendant une longue période.
- Ne pas utiliser dans une atmosphère explosive.
- La chaleur peut être conduite vers des matériaux inflammables recouverts.
- Après l'utilisation, posez le pistolet à air chaud sur le support et laissez refroidir avant de le remettre dans l'emballage.
- Ne pas laisser l'appareil sans surveillance lorsqu'il fonctionne.
- Certains lieux, comme derrière des murs, plafonds, sols, panneaux de coffrage ou autres, peuvent dissimuler des matériaux inflam-

mables qui pourraient s'enflammer lorsque le pistolet thermique est utilisé à proximité. L'ignition de ces matériaux pourrait ne pas être immédiatement apparente, et causer des dommages corporels et matériels sérieux. Au sein de ce genre d'emplacements, effectuer des va-et-vient continuels avec le pistolet thermique. Le fait de s'arrêter ou s'attarder sur un point pourrait enflammer le panneau ou le matériau dissimulé derrière.

TOUT INDIVIDU DECAPANT DE LA PEINTURE SE DOIT DE SUIVRE SYSTÉMATIQUEMENT LES CONSIGNES SUIVANTES :

AVERTISSEMENT : Il est recommandé de faire preuve de la plus extrême prudence lors du décapage de la peinture. La peinture écaillée, ses résidus ou émanations peuvent contenir du plomb qui est toxique pour l'individu. Les peintures pré 1977 peuvent contenir du plomb et la peinture des maisons datant d'avant 1950 contiennent presque sûrement du plomb. Une fois le plomb étalé sur une surface, tout contact manuel posera des risques d'ingestion. Toute exposition au plomb, même à des taux minimes, pose des risques de dommages irréversibles au cerveau et au système nerveux. Les jeunes enfants et les fœtus sont particulièrement vulnérables. Avant de décapier toute peinture, il est recommandé de déterminer si elle contient du plomb. Cela peut être fait par votre département local de la santé ou par un professionnel qui utilisera un analyseur de peinture pour vérifier le taux de plomb contenu par la peinture à décapier. **TOUTE PEINTURE AU PLOMB DOIT ÊTRE RETIRÉE EXCLUSIVEMENT PAR UN PROFESSIONNEL, ET JAMAIS À L'AIDE D'UN PISTOLET THERMIQUE.** Tout individu décapant de la peinture se doit de suivre les consignes suivantes :

1. **Déplacez la pièce à décapier à l'extérieur. Si c'est impossible, maintenez l'aire de travail bien ventilée. Ouvrez les fenêtres et installez un ventilateur d'aspiration à l'une d'elles.** S'assurer que le ventilateur déplace l'air de l'intérieur vers l'extérieur.
2. Retirez ou couvrez moquettes, tapis, meubles, vêtements, ustensiles de cuisine et conduits de ventilation.
3. **Installez des toiles de protection sur les lieux de travail pour récupérer toute peinture écaillée ou débris.** Portez des vêtements de protection tels que chemises de travail, salopettes, chapeaux.
4. **Travaillez dans une pièce à la fois. Il est recommandé de sortir les meubles ou de**

les placer au centre de la pièce et de les recouvrir. Les lieux de travail devraient être isolés hermétiquement du reste de l'habitation en scellant les ouvertures avec des toiles de protection.

5. Éloignez les enfants, les femmes enceintes ou potentiellement enceintes, les mères allaitant, des lieux de travail tant que le travail et le nettoyage ne sont pas terminés.

CONSIGNES DE SÉCURITÉ IMPORTANTES CONSERVEZ CES INSTRUCTIONS

2. Description de l'appareil et contenu de l'emballage

2.1 Description de l'appareil

1. Interrupteur de marche/arrêt
2. Poignée
3. Embout
4. Éjecteur
5. Affichage DEL
6. DEL vitesse 1
7. DEL vitesse 2
8. Clip pour ceinture
9. Embout à faisceau large
10. Embout réflecteur
11. Embout réducteur
12. Batterie (non inclus)
13. Touche d'enclenchement
14. Témoin de charge de la batterie
15. Bouton de témoin de charge de la batterie

2.2 Contenu d'emballage

Veillez contrôler l'intégralité de l'article au moyen du contenu d'emballage décrit. En cas de pièces manquantes, veuillez contacter notre centre de service à la clientèle ou le point de vente où vous avez acheté l'appareil au plus tard dans les 5 jours ouvrables à compter de l'achat de l'article en présentant un ticket de caisse valable.

- Ouvrez l'emballage et retirez prudemment l'appareil.
- Enlevez le matériau d'emballage ainsi que les sécurités d'emballage et de transport (le cas échéant).
- Vérifiez l'intégralité du contenu d'emballage.
- Vérifiez si l'appareil et les accessoires présentent des dommages dus au transport.
- Si possible, conservez l'emballage jusqu'à l'expiration de la durée de garantie.

Danger !

L'appareil et le matériau d'emballage ne sont pas un jouet ! Les enfants ne doivent pas jouer avec des sachets en plastique, des films ou de petites pièces ! Il existe le risque d'ingestion et de suffocation !

- Pistolet à air chaud sans fil
- Mode d'emploi original avec consignes de sécurité

Accessoires disponibles séparément

18V 2,0Ah PXC batterie Lithium-Ion
 18V 4,0Ah PXC batterie Lithium-Ion
 18V 4,0Ah PXC Plus batterie Lithium-Ion
 18V 5,2Ah PXC Plus batterie Lithium-Ion
 18V 4,0Ah/6,0Ah PXC Plus batterie Lithium-Ion
 18V PXC chargeur rapide à double raccord
 18V PXC chargeur rapide

Contactez votre détaillant pour les modèles plus spécifiques de batteries et de chargeurs disponibles dans votre région. Vous pouvez également explorer les options de batterie + chargeur sur Einhell.com.

3. Utilisation conforme

Le pistolet à air chaud sans fil sert à réchauffer des tuyaux à rétraction, à décaper des peintures et à souder et déformer les matières plastiques. Danger !

L'appareil ne doit pas être utilisé pour allumer du charbon de bois.

La machine ne doit être utilisée que conformément à sa destination. Toute autre utilisation dépassant ce cadre n'est pas conforme. C'est l'utilisateur / l'opérateur qui est responsable de tous les dommages ou blessures de toute nature en résultant et non pas le fabricant.

Veillez noter que nos appareils n'ont pas été conçus pour une utilisation commerciale, artisanale ou industrielle. Nous n'accordons aucune garantie si l'appareil est utilisé dans des entreprises commerciales, artisanales ou industrielles ou pour des activités équivalentes.

4. Caractéristiques techniques

Alimentation électrique du moteur: 18V 

Température d'air :

Vitesse 1 : 350°C (662°F)

Vitesse 2 : 550°C (1022°F)

Débit d'air :

Vitesse 1 : 200 l/min (7 pi³/min)

Vitesse 2 : 200 l/min (7 pi³/min)

Poids (Outil Seulement): 0,6 kg (1,3 lb)

5. Avant la mise en service

5.1 Affichage DEL (image 5/Pos. 5)

L'affichage DEL (5) vous indique la puissance de température réglée sur le pistolet à air chaud sans fil. Vitesse 1, la DEL (6) est allumée. Vitesse 2, les deux DEL (6,7) sont allumées en même temps.

5.2 Clip pour ceinture (image 6/Pos. 8)

Le clip pour ceinture (8) vous permet d'accrocher le pistolet à air chaud sans fil sur votre ceinture ou à la poche de votre pantalon.

Pour ce faire, soulevez le clip pour ceinture (8) puis basculez-le vers le côté.

La fixation du clip pour ceinture (8) se fait dans l'ordre inverse.

6. Fonctionnement

Remarque !

Après la première utilisation, un peu de fumée peut sortir de l'appareil. C'est cependant normal.

6.1 Interrupteur marche/arrêt

Sélectionnez la température de service et le volume d'air souhaités avec l'interrupteur marche/arrêt (1).

Le pistolet à air chaud atteint rapidement la température de service.

Position de l'interrupteur 0 :

L'appareil est hors circuit.

Position de l'interrupteur 1 :

Vitesse 1 – 350°C (662°F) / 200 litres/min. (7 pi³/min)

Position de l'interrupteur 2 :

Vitesse 2 – 550°C (1022°F) / 200 litres/min. (7 pi³/min)

6.2 Possibilités d'emploi du pistolet à air chaud:

- Décapage de peintures et vernis.
- **Attention : Lors du décapage de peintures et vernis, des vapeurs toxiques et/ou nuisibles peuvent se former. Veillez à une aération suffisante.**
- Enlever autocollants et décorations.
- Déserrer de vis et écrous métalliques rouillés.
- Dégel de tuyaux, de serrures, et autres accessoires gelés. Attention, ne pas décongeler de tuyaux en matière plastique ou PVC.
- Accentuation de madrures naturelles du bois avant le décapage ou le vernissage.
- Rétraction de films d'emballage et de tuyaux d'isolation en PVC.
- Fartage et déparaffinage des skis.
- Utilisation stationnaire (voir Fig. 7)

Danger ! Toute chaleur excessive augmente le risque d'incendie et d'explosion! Aérez bien votre poste de travail. Les gaz et vapeurs dégagés peuvent être nuisibles à la santé et/ou toxiques.

6.3 Sélection de la bonne buse (image 2-4) :

- La buse à faisceau large (9) assure une répartition uniforme de l'air sur les petites surfaces.
- La buse réducteur (11) permet un jet de chaleur ciblé dans les coins et lors du soudage.
- La buse réflecteur (10) est conçue pour souder et former des tubes, pour décongeler des conduites d'eau et pour rétrécir des tuyaux isolants.
- Posez la buse de l'embout correspondante sur la buse (1) de l'appareil.

6.4 Éjecteur (image 8/Pos. 4)

Le pistolet à air chaud sans fil est équipé d'un éjecteur (4) pour les buses. Celui-ci vous permet d'enlever les buses encore chaudes de l'appareil sans avoir à les toucher.

Avertissement !

Déposez les buses chaudes uniquement sur une surface résistante à la chaleur !

6.5 Chargement de la batterie au Lithium-Ion (non inclus)

Vous trouverez les instructions correspondantes dans le mode d'emploi d'origine de votre chargeur.

6.6 Affichage de la capacité de la batterie (image 9/Pos. 14)

Appuyez sur l'interrupteur de l'affichage de la capacité de la batterie (15). L'affichage de la capacité de la batterie (14) signale l'état de charge de la batterie au moyen de 3 DEL.

Les 3 DEL s'allument:

La batterie est complètement chargée.

2 ou 1 DEL s'allument:

La batterie a une charge résiduelle suffisante.

1 DEL clignote:

La batterie est déchargée, chargez la batterie.

Tous les voyants clignotent :

La température de la batterie est trop basse. Retirez la batterie de l'appareil, laissez-la à température ambiante pendant une journée. Si le défaut se reproduit, cela signifie que la batterie rechargeable a subi une décharge complète et est défectueuse. Retirez la batterie de l'équipement. N'utilisez ou ne chargez jamais une batterie défectueuse.

7. Nettoyage et entretien

Danger !

Avant tout travail de nettoyage, retirez la batterie de l'appareil.

7.1 Nettoyage

- Maintenez les dispositifs de protection, les fentes d'aération et les carters de moteur aussi exempt de poussières et de saletés que possible. Frottez l'appareil avec un linge propre et nettoyez-le à l'air comprimé à basse pression.
- Nous recommandons de nettoyer l'appareil directement après chaque utilisation.
- Nettoyez l'appareil régulièrement avec un linge humide et un peu de savon doux. N'utilisez pas de détergeant ni de solvants ; ils peuvent détériorer les éléments en plastique de l'appareil. Veillez à ce que l'eau ne puisse pas pénétrer à l'intérieur de l'appareil. La pé-

nétration de l'eau dans un appareil électrique augmente le risque d'une électrocution.

7.2 Entretien

L'intérieur de l'appareil ne contient pas de pièces exigeant un entretien.

8. Élimination et recyclage

L'appareil se trouve dans un emballage pour empêcher les dommages dus au transport. Cet emballage constitue une matière première et peut par conséquent est réutilisé ou peut être recyclé. L'appareil et ses accessoires sont fabriqués à partir de différents produits, comme par exemple le métal et les matières plastiques. Ne jetez pas les appareils défectueux dans les déchets ménagers. Pour être éliminé de façon appropriée, l'appareil devrait être déposé à un lieu de collecte approprié. Si vous ne connaissez aucun lieu de collecte, informez-vous auprès de l'administration municipale.

9. Entreposage

Entreposez l'appareil et ses accessoires dans un endroit sombre, sec et exempt de gel ainsi que hors la portée des enfants. La température d'entreposage optimale se situe entre 41 °F et 86 °F (5 °C et 30 °C). Entreposez l'outil électrique dans l'emballage d'origine.

Une réimpression ou toute autre reproduction de la documentation et des documents accompagnant les produits, même par extraits, ne sont autorisées qu'avec accord exprès d'Einhell Germany AG.

Sous réserve des modifications techniques.



Peligro! - Leer el manual de instrucciones para reducir cualquier riesgo de sufrir daños



Almacenamiento de las baterías sólo en espacios secos con una temperatura ambiente de 50°F to 104°F (+10°C to +40°C). Guardar las baterías únicamente cuando estén cargadas (mín. al 40%).

Peligro!

Al usar aparatos es preciso tener en cuenta una serie de medidas de seguridad para evitar lesiones o daños. Por este motivo, es preciso leer atentamente este manual de instrucciones/advertencias de seguridad. Guardar esta información cuidadosamente para poder consultarla en cualquier momento. En caso de entregar el aparato a terceras personas, será preciso entregarles, asimismo, el manual de instrucciones/advertencias de seguridad. No nos hacemos responsables de accidentes o daños provocados por no tener en cuenta este manual y las instrucciones de seguridad.

1. Instrucciones de seguridad**INSTRUCCIONES DE SEGURIDAD IMPORTANTES****Peligro!**

Lea todas las instrucciones de seguridad e indicaciones. El incumplimiento de dichas instrucciones e indicaciones puede provocar descargas, incendios y/o daños graves. **Guarde todas las instrucciones de seguridad e indicaciones para posibles consultas posteriores.**

Instrucciones generales de seguridad para herramientas eléctricas

El término de "herramienta eléctrica" que se usa en las instrucciones de seguridad se refiere a las herramientas que funcionan en red (con cable de conexión) y con batería (sin cable de conexión).

1. Seguridad en el lugar de trabajo

- a) **Mantener limpia y bien iluminada la zona de trabajo.** *Las zonas de trabajo desordenadas o sin luz pueden conllevar accidentes.*
- b) **No trabajar con este aparato eléctrico en un entorno explosivo en el que se hallen líquidos, gases o polvos inflamables.** *Las herramientas eléctricas generan chispas que pueden inflamar el polvo o los vapores.*
- c) **Mantener alejados a niños y a otras personas fuera del alcance de la herramienta eléctrica.** *Las distracciones pueden hacer perder el control sobre el aparato.*

2. Seguridad eléctrica

- a) **El enchufe del aparato eléctrico debe ser el adecuado para la toma de corriente. El enchufe no debe ser modificado de nin-**

gún modo. No emplear adaptadores de enchufe con aparatos eléctricos puestos a tierra. *Los enchufes sin modificar y las tomas de corriente adecuadas reducen el riesgo de una descarga eléctrica.*

- b) **Evitar el contacto corporal con superficies con toma de tierra como tubos, calefacciones, fogones y frigoríficos.** *Existe un gran riesgo de descarga eléctrica si su cuerpo se halla puesto a tierra.*
 - c) **Mantener los aparatos eléctricos alejados de la lluvia o la humedad.** *Si entra agua en el aparato eléctrico existirá mayor riesgo de una descarga eléctrica.*
 - d) **No utilizar el cable de forma inadecuada, no utilizarlo para transportar el aparato, colgarlo o retirarlo de la toma de corriente. Mantener el cable alejado del calor, aceites, cantos afilados o partes del aparato en movimiento.** *Los cables dañados o mal enrollados aumentan el riesgo de descarga eléctrica.*
 - e) **Si se trabaja con una herramienta eléctrica al aire libre, emplear sólo alargaderas que también sean adecuadas para el exterior.** *El empleo de una alargadera apropiada para trabajos en el exterior reduce el riesgo de descarga eléctrica.*
 - f) **Si no se puede evitar tener que utilizar la herramienta eléctrica en un entorno húmedo, utilizar un dispositivo de protección diferencial.** *El uso de un dispositivo de protección diferencial reduce el riesgo de sufrir una descarga eléctrica.*
- 3. Seguridad de personas**
- a) **Prestar atención al trabajo, comprobar lo que se está haciendo y proceder de forma razonable durante el trabajo de una herramienta eléctrica. No emplear la herramienta eléctrica si se está cansado o bajo la influencia de drogas, alcohol o medicamentos.** *Una mínima falta de atención durante el uso de la herramienta eléctrica puede causar lesiones graves.*
 - b) **Llevar equipo de protección personal. Llevar siempre gafas protectoras.** *El equipo de protección (como mascarilla antipolvo, calzado de seguridad antideslizante, casco o protección auditiva) usado en las condiciones adecuadas sirve para reducir las lesiones personales.*
 - c) **Prevenir un arranque no intencionado. Asegurarse de que el interruptor se encuentre en la posición OFF antes de co-**

nectar la herramienta a la fuente eléctrica y/o BATERÍA, alzarla o transportarla. El transporte de herramientas eléctricas con el dedo en el interruptor o la activación de herramientas eléctricas con el interruptor en ON puede provocar accidentes.

- d) **Retirar las herramientas de ajuste o la llave antes de conectar la herramienta eléctrica.** Una herramienta o llave que se haya olvidado en partes giratorias del aparato puede producir lesiones.
 - e) **Evitar trabajar en una posición corporal inadecuada. Adoptar una posición segura y mantener en todo momento el equilibrio.** Ello permite controlar mejor la herramienta eléctrica en situaciones inesperadas.
 - f) **Llevar ropa de trabajo adecuada. No llevar ropa holgada ni joyas durante el trabajo. Mantener el cabello, la ropa y los guantes alejados de las piezas en movimiento.** La ropa holgada, las joyas o los cabellos largos pueden ser atrapados por las piezas en movimiento.
 - g) **Si el aparato permite instalar dispositivos de aspiración y recogida del polvo, es preciso asegurarse de que estén conectados y se empleen de forma correcta.** La utilización de un aspirador de polvo puede reducir los peligros provocados por el mismo.
 - h) **A pesar de estar muy familiarizado con el uso de las herramientas, no confiarse en exceso ni ignorar las normas de seguridad de la herramienta.** Un descuido puede conllevar una lesión grave en milésimas de segundo.
- 4. Empleo y tratamiento de la herramienta eléctrica**
- a) **No sobrecargar el aparato. Usar la herramienta eléctrica específica para cada trabajo.** Con la herramienta eléctrica adecuada se trabaja mejor y con más seguridad permaneciendo dentro de la potencia indicada.
 - b) **No usar ninguna herramienta eléctrica cuyo interruptor esté defectuoso.** Una herramienta eléctrica que ya no pueda conectarse o desconectarse conlleva peligros y debe repararse.
 - c) **Desconectar el enchufe de la toma de corriente y/o retirar la batería, si es desmontable, de la herramienta eléctrica antes de realizar cualquier ajuste, cambiar accesorios o almacenarla.** Este tipo de medidas de seguridad preventivas sirve para reducir el riesgo de poner en marcha la herramienta eléctrica de manera involuntaria.
- 5. Empleo y tratamiento de la herramienta eléctrica**
- a) **Cargar la batería sólo en cargadores recomendados por el fabricante.** Existe el peligro de incendio si se utiliza un cargador, indicado sólo para un tipo concreto de baterías, para otro tipo de baterías.
 - b) **Utilizar sólo las baterías indicadas para la herramienta eléctrica en cuestión.** El uso de otras baterías puede provocar daños y conllevar peligro de incendio.
 - c) **Mantener cualquier batería que no se esté utilizando alejada de grapas, monedas, llaves, clavos, tornillos u otros objetos metálicos pequeños que podrían provocar un puenteo de los contactos.** Un

cortocircuito entre los contactos de la batería puede tener como consecuencia quemaduras o provocar fuego.

- d) **Si se utiliza incorrectamente podría salir líquido de la batería. Evitar el contacto con el líquido. En caso de tocar accidentalmente el líquido, lavar la zona afectada con agua. Si el líquido penetra en los ojos, acudir a un médico. El líquido de la batería puede provocar irritaciones en la piel o quemaduras.**
- e) **No utilizar BATERÍAS ni herramientas que estén dañadas o modificadas. Las baterías dañadas o modificadas pueden manifestar comportamientos impredecibles que pueden dar lugar a incendio, EXPLOSIÓN o riesgo de lesión.**
- f) **No exponer una BATERÍA ni herramienta al fuego o a una temperatura excesiva. La exposición al fuego o a una temperatura superior a los 266°F (130°C) puede provocar una explosión.**
- g) **Seguir todas las instrucciones de carga y no cargar la BATERÍA ni herramienta fuera del margen de temperatura especificado en las instrucciones. Una carga inadecuada o a temperaturas fuera del margen especificado puede dañar la batería e incrementar el riesgo de incendio.**
6. **Servicio**
- a) **Sólo especialistas cualificados deben reparar la herramienta eléctrica, empleando para ello únicamente piezas de repuesto originales. Esta forma de proceder garantiza la seguridad de la herramienta eléctrica.**
- b) **No reparar nunca BATERÍAS dañadas. La reparación de las BATERÍAS dañadas solo la puede llevar a cabo el fabricante o un distribuidor autorizado.**

Instrucciones de seguridad especiales

Con el fin de ofrecerle baterías con la máxima densidad de energía, larga duración y seguridad, prestamos el mayor cuidado en su montaje. Las celdas de la batería disponen de dispositivos de seguridad de varios niveles. En primer lugar se asigna el formato a cada celda y se registran sus características eléctricas. A continuación, estos datos se utilizan para agrupar las celdas y crear la mejores baterías. **A pesar de todas las medidas de seguridad, siempre es necesario tener precaución al utilizar baterías. Para un funcionamiento seguro es obligatorio tener en cuenta los siguientes puntos.**

¡El funcionamiento seguro sólo está garantizado si las celdas no están dañadas! Un manejo inadecuado puede dañar las celdas.

¡Atención! Los análisis confirman que un uso y un cuidado inadecuados son la principal causa de los daños provocados por baterías de alta potencia.

Advertencias sobre la batería

1. La batería del aparato no se suministra cargada. Antes de la primera puesta en marcha, es preciso recargarla por completo.
2. ¡Para que la batería trabaje de forma óptima evitar ciclos de descarga prolongados! Recargar la batería con frecuencia.
3. Guardar la batería en un lugar fresco, lo ideal son 59°F (15°C), y como mínimo cargada al 40%.
4. Las baterías de iones de litio están sujetas a un desgaste natural. ¡La batería debe ser sustituida como muy tarde cuando su rendimiento sea menor al 80% respecto a su estado cuando era nueva! Las celdas deterioradas de un conjunto de baterías envejecido no cumplen con los altos requisitos de rendimiento, representando un riesgo para la seguridad.
5. No tirar las baterías usadas al fuego. ¡Peligro de explosión!
6. No prender la batería ni exponerla al fuego.
7. **¡Evitar una descarga total de las baterías!** Este tipo de descarga daña las celdas de la batería. La causa más frecuente de la descarga total de la batería es el largo almacenamiento o la no utilización de baterías parcialmente descargadas. Terminar el trabajo en cuanto se aprecie que la potencia disminuye o se activa el sistema electrónico de protección. Almacenar la batería sólo tras haberla cargado completamente.
8. **¡Proteger las baterías y el aparato contra sobrecarga!** La sobrecarga conduce rápidamente a un sobrecalentamiento y daño de las celdas del interior de la carcasa de batería, sin que el sobrecalentamiento se perciba externamente.
9. **¡Evitar daños y golpes!** Sustituir inmediatamente las baterías que hayan caído desde una altura superior a un metro o que hayan sufrido golpes fuertes, incluso aunque la carcasa de la batería no parezca dañada. Las celdas que se encuentren en su interior podrían estar gravemente dañadas. Tener en cuenta también las indicaciones de eliminación.

10. En caso de sobrecarga y sobrecalentamiento, el circuito de protección integrado desconecta el aparato por motivos de seguridad. **¡Atención!** Dejar de pulsar el interruptor On/Off cuando el circuito de protección haya desconectado el aparato. Podría dañar la batería.
 11. Utilizar exclusivamente baterías originales. El uso de otras baterías puede provocar daños, así como explosión y peligro de incendio.
 12. **Proteger la batería de la humedad, la lluvia y la humedad ambiental elevada.** La humedad, la lluvia y la humedad ambiental elevada pueden provocar daños peligrosos en las celdas. No cargar ni trabajar nunca con baterías que hayan estado expuestas a la humedad, la lluvia o humedad ambiental elevada, ¡reemplazarlas de inmediato!
 13. Si el aparato está dotado de una batería extraíble, por motivos de seguridad será preciso extraerla una vez finalizado el trabajo.
9. Cargar la batería a una temperatura de menos de 50°F (10°C) provoca daños químicos en las celdas y puede conllevar peligro de incendio.
 10. No utilizar baterías que se hayan calentado durante la carga, ya que sus celdas podrían dañarse peligrosamente.
 11. Dejar de usar baterías que se hayan deformado o abombado durante la carga, o aquellas que presenten síntomas inusuales (desprendimiento de gases, zumbidos, chasquidos,...)
 12. No descargar la batería por completo (nivel de descarga recomendado: máx. 80%). La descarga total provoca un envejecimiento prematuro de las celdas de la batería.
 13. ¡No cargar nunca las baterías sin supervisión!

Protección contra influencias ambientales

Advertencias sobre el cargador y el proceso de carga

1. Observar los datos indicados en la placa de identificación del cargador. Conectar el cargador sólo a la tensión nominal indicada en la placa de características.
 2. Proteger el cargador y el cable de daños y cantos afilados. Los cables dañados deben ser cambiados exclusivamente por un electricista profesional.
 3. Mantener el cargador, las baterías y el aparato fuera del alcance de niños.
 4. No emplear cargadores dañados.
 5. No emplear el cargador suministrado para cargar otros aparatos a batería.
 6. La batería se calienta bajo condiciones extremas de aplicación. Dejar que la batería se enfríe hasta alcanzar la temperatura ambiental antes de empezar a cargar.
 7. **¡No cargar demasiado las baterías!** Respetar los tiempos de carga máximos. Estos tiempos de carga se aplican únicamente a baterías descargadas. Si una batería cargada o parcialmente cargada se conecta varias veces al cargador se produce una sobrecarga y un daño de las celdas. No dejar las baterías varios días en el cargador.
 8. **No utilizar ni cargar nunca baterías si se tiene la sospecha de que la última carga de la batería puede haberse realizado hace más de 12 meses.** Existe una alta probabilidad de que la batería ya esté gravemente dañada (descarga total).
1. Ponerse ropa de trabajo adecuada. Ponerse gafas de protección.
 2. **Proteger el aparato y el cargador de la humedad y la lluvia.** Éstas podrían provocar daños peligrosos en las celdas.
 3. No utilizar el aparato y el cargador cerca de vapores y líquidos inflamables.
 4. Utilizar el cargador y el aparato a batería sólo si están secos y a una temperatura ambiente de 50°F-104°F (10-40 °C).
 5. No guardar la batería en lugares que puedan alcanzar una temperatura superior a 104°F (40 °C), especialmente no en un vehículo aparcado al sol.
 6. **¡Proteger las baterías contra un sobrecalentamiento!** La sobrecarga, carga excesiva o la radiación solar conducen a un sobrecalentamiento y al daño de las celdas. No cargar ni trabajar en ningún caso con baterías que se hayan sobrecalentado. Sustituirlas inmediatamente.
 7. **Almacenamiento de baterías, cargadores y del aparato.** Guardar siempre el cargador y el aparato en habitaciones secas con una temperatura ambiente de 50°F-104°F (10-40°C). Guardar la batería de iones de litio en un lugar fresco y seco a 50°F-68°F (10-20°C). ¡Proteger de la humedad ambiental y de la radiación solar! Guardar las baterías únicamente cuando estén cargadas (mín. al 40%).
 8. Evitar que la batería de iones de litio se hielan. Deshacerse de las baterías que hayan estado guardadas a 32°F (0°C) durante más de 60 minutos.
 9. Llevar cuidado con la carga electrostática al manipular baterías: las descargas electrostáticas provocan daños en el sistema electró-

nico de protección y las celdas de la batería.
¡Evitar por ello la carga electrostática y no tocar nunca los polos de la batería!

Precaución y eliminación de la batería

Eliminación

Si su artefacto necesita ser reemplazado luego de un uso prolongado, no lo arroje a la basura doméstica. Hágalo de una forma ecológica y segura.



Los desechos producidos por máquinas eléctricas no deben ser manipulados como basura doméstica común. Recíclelos donde hayan emplazamientos de reciclaje. Consulte con las autoridades o tienda

minorista de su localidad para obtener información sobre reciclaje.

Deshágase de su batería de acuerdo con los reglamentos federales, estatales y locales. Para encontrar lugares de reciclaje, comuníquese con un servicio de reciclaje en su localidad.

⚠ ¡PRECAUCIÓN! Incluso las baterías descargadas contienen algo de energía. Antes de deshacerse de éstas, use cinta aislante para cubrir los terminales y evitar que la batería haga cortocircuito, lo cual puede causar una explosión o incendio.

⚠ ¡ADVERTENCIA! Para reducir el riesgo de lesiones personales o explosión, nunca queme o incinere una batería incluso si está dañada, inservible o completamente descargada. Al ser quemada, los humos y materiales tóxicos son emitidos a la atmósfera circundante.

1. Las baterías varían de acuerdo al dispositivo. Consulte su manual para obtener la información específica.
2. Instale solo nuevas baterías del mismo tipo en su producto (donde corresponda).
3. No insertar las baterías con la polaridad correcta, tal como se indica en el compartimiento de la batería o en el manual, puede reducir el ciclo de vida útil de las baterías o causar fugas en las baterías.
4. No combine baterías nuevas con antiguas.
5. No combine baterías alcalinas, estándar (de zinc-carbono) o recargables (de níquel-cadmio, de níquel-hidruro metálico o de iones de litio).
6. No arroje las baterías al fuego. Pueden llegar a explotar.
7. Las baterías deben ser recicladas o desechadas según los reglamentos locales y estatales.

Para el envío o la eliminación de baterías o del aparato, estos deben embalarse por separado en bolsas de plástico para evitar cortocircuitos o incendios.

Instrucciones de seguridad adicionales:

- **La tobera puede alcanzar hasta 550°C (1022°F). Atención: ¡Peligro de sufrir quemaduras! Lleve puestos siempre guantes y gafas de protección. Está prohibido tocar la tobera durante el trabajo.**
- Una vez utilizada la pistola de aire caliente, déjela enfriar por completo antes de guardarla.
- No exponga nunca el aparato a los efectos de la lluvia o de la humedad. Guárdelo en lugar seco.
- No pierda nunca el aparato de vista cuando haya niños en las inmediaciones y no permita que éstos jueguen con él.
- **No oriente nunca la corriente de aire directamente sobre personas o animales. Está prohibido utilizarlo para secar la ropa o el cabello. Está prohibido utilizar el ventilador de aire caliente como si fuera un secador de cabello.**
- Está prohibido utilizar el aparato en las inmediaciones de materiales o gases inflamables o explosivos.
- No impida nunca la corriente de aire caliente tapando el orificio de salida.
- Utilice únicamente accesorios y piezas de repuesto originales del fabricante.
- No lleve ropa ligera ni joyas. Utilice calzado que no resbale y recójase el pelo si lo tiene largo. Al trabajar, asegúrese de que está bien asentado.
- No lo utilice nunca en lugares mojados ni en ambientes húmedos (baño, sauna, etc.).
- Antes de utilizar la pistola de aire caliente, asegúrese de que en el entorno no se encuentran materiales inflamables.
- No lleve nunca la pistola de aire caliente agarrada por el cable de red.
- Las reparaciones (p. ej. el cambio del cable de red) serán efectuadas única y exclusivamente por un electricista especializado.
- No utilice nunca quitamanchas químicos o disolventes al manejar la pistola de aire caliente.
- Limpie la tobera tan pronto como presente suciedad.
- Asegúrese de que los orificios de entrada y salida de aire están siempre limpios.

- Tenga en cuenta que al quitar pintura pueden producirse vapores venenosos y/o nocivos para la salud.
- No aplique nunca directamente el aire caliente sobre ventanas o superficies de vidrio.
- Este aparato podrá ser utilizado por niños a partir de 8 años y personas cuyas capacidades estén limitadas física, sensorial o psíquicamente, o que no dispongan de la experiencia y/o los conocimientos necesarios siempre y cuando estén vigiladas o hayan recibido formación o instrucciones sobre el funcionamiento seguro del aparato y de los posibles peligros. Está prohibido que los niños jueguen con el aparato. Los niños no podrán realizar los trabajos de limpieza y mantenimiento a no ser que estén vigilados por un adulto.
- Existe peligro de incendio si el aparato no se maneja con cuidado.
- Tener precaución si se utiliza el aparato cerca de materiales inflamables. No dirigir la pistola de aire caliente durante mucho tiempo hacia el mismo punto.
- No utilizar en una atmósfera donde exista peligro de explosión.
- El calor puede dirigirse hacia materiales inflamables incluso si están cubiertos.
- Después del usar la pistola de aire, colocarla sobre su soporte y dejar que se enfríe antes de volver a guardarla en el embalaje.
- No dejar nunca el aparato sin vigilancia cuando esté en funcionamiento.
- Las áreas ocultas, como detrás de paredes o cielorrasos, debajo de pisos, tablas de plafón u otros paneles, pueden contener materiales inflamables que podrían encenderse al usar una pistola de aire caliente cuando trabaje en estos lugares. Estos materiales podrían encenderse en forma imperceptible al comienzo, lo que podría resultar en daños de propiedad y lesiones a personas. Cuando trabaje en este tipo de lugar, mantenga la pistola de aire caliente en movimiento, hacia adelante y hacia atrás. El detenerse o pausar en un lugar podría prender el panel o los materiales que se encuentran detrás del mismo.

LAS PERSONAS QUE REMUEVEN PINTURA DEBEN SIEMPRE DE RESPETAR ESTAS PAUTAS:

ADVERTENCIA: Es importante tener mucho cuidado al remover pintura. Los pedazos, residuos y gases de pintura pueden contener plomo, que es venenoso. Cualquier pintura aplicada antes de

1977 puede contener plomo, y es probable que la pintura aplicada a casas construidas antes de 1950 contenga plomo. Una vez depositada sobre una superficie, el contacto de las manos con ella puede resultar en una ingestión de plomo si se lleva las manos a la boca. La exposición a incluso niveles bajos de plomo puede causar daños irreversibles al cerebro y al sistema nervioso; los niños y bebés no natos son particularmente vulnerables. Antes de comenzar el proceso de remover pintura, debería determinar si la pintura a remover contiene plomo o no. Esto puede hacerlo su oficina local de la salud o un profesional que use un analizador de pintura para verificar el contenido de plomo de la pintura a remover. **LA PINTURA EN BASE A PLOMO SÓLO DEBE SER REMOVIDA POR UN PROFESIONAL Y NO DEBERÍA SER REMOVIDA CON UNA HERRAMIENTA QUE EMITA AIRE CALIENTE.** La persona que quita la pintura debe de respetar estas pautas:

1. **Coloque la pieza de trabajo afuera. Si esto no es posible, el área de trabajo debe de estar bien ventilado. Abra las ventanas y coloque un ventilador de extracción dentro de una de ellas.** Asegúrese que el ventilador desplaza el aire de adentro a afuera.
2. Quite o cubra alfombras, tapetes, muebles, ropa, utensilios de cocina y conductos de aire.
3. **Coloque las láminas de protección en el área de trabajo para contener astillas o pedazos de pintura.** Vista ropa protectora como camisas de trabajo adicionales, overoles y cascos.
4. **Trabaje en un cuarto a la vez. Debe de quitar o colocar el mobiliario en medio del cuarto y cubrirlo.** El área de trabajo debe de ser aislado del resto de la vivienda sellando las puertas con láminas de protección.
5. Niños, mujeres embarazadas o probablemente embarazadas y madres lactantes no deberían de estar presentes en el área de trabajo hasta que el trabajo haya sido completado.

**INSTRUCCIONES DE SEGURIDAD IMPORTANTES
GUARDE ESTAS INSTRUCCIONES**

2. Descripción del aparato y volumen de entrega

2.1 Descripción del aparato (fig. 1)

1. Interruptor ON/OFF
2. Empuñadura
3. Boquilla
4. Expulsor
5. Indicador LED
6. LED 1
7. LED 2
8. Clip para el cinturón
9. Boquilla de chorro ancho
10. Boquilla reflector
11. Boquilla concentradora
12. Batería (no incluidos)
13. Dispositivo de retención
14. Indicador de capacidad de batería
15. Pulsador para indicar la capacidad de batería

2.2 Volumen de entrega

Sirviéndose de la descripción del volumen de entrega, comprobar que el artículo esté completo. Si faltase alguna pieza, dirigirse a nuestro Service Center o a la tienda especializada más cercana en un plazo máximo de 5 días laborales tras la compra del artículo presentando un recibo de compra válido.

- Abrir el embalaje y extraer cuidadosamente el aparato.
- Retirar el material de embalaje, así como los dispositivos de seguridad del embalaje y para el transporte (si existen).
- Comprobar que el volumen de entrega esté completo.
- Comprobar que el aparato y los accesorios no presenten daños ocasionados durante el transporte.
- Si es posible, almacenar el embalaje hasta que transcurra el periodo de garantía.

Peligro!

¡El aparato y el material de embalaje no son un juguete! ¡No permitir que los niños jueguen con bolsas de plástico, láminas y piezas pequeñas! ¡Riesgo de ingestión y asfixia!

- Pistola de aire caliente inalámbrica
- Manual de instrucción original con instrucción de seguridad

Accesorios disponibles por separado

- 18V 2.0Ah PXC batería Li-Ion
- 18V 4.0Ah PXC batería Li-Ion
- 18V 4.0Ah PXC Plus batería Li-Ion
- 18V 5.2Ah PXC Plus batería Li-Ion
- 18V 4.0Ah/6.0Ah PXC Plus batería Li-Ion
- 18V PXC cargador rápido de doble Puerto
- 18V PXC cargador rápido

Comuníquese con su distribuidor local para obtener modelos más específicos de baterías y cargadores disponibles en su área. Explorar las opciones de batería y cargador en einhell.com.

3. Uso adecuado

La pistola de aire caliente inalámbrica ha sido concebido para calentar tubos termorretráctiles, eliminar la pintura y soldar y dar forma a plásticos. ¡Peligro!

No emplear el aparato para encender carbón vegetal.

Utilizar la máquina sólo en los casos que se indican explícitamente como de uso adecuado. Cualquier otro uso no será adecuado. En caso de uso inadecuado, el fabricante no se hace responsable de daños o lesiones de cualquier tipo; el responsable es el usuario u operario de la máquina.

Tener en consideración que nuestro aparato no está indicado para un uso comercial, industrial o en taller. No asumiremos ningún tipo de garantía cuando se utilice el aparato en zonas industriales, comerciales o talleres, así como actividades similares.

4. Características técnicas

Alimentación de tensión de motor: 18 V 

Temperatura de aire:

Nivel 1: 662 °F (350 °C)

Nivel 2: 1022 °F (550 °C)

Caudal de aire:

Nivel 1: 7 pies cúbicos/min (200 l/min)

Nivel 2: 7 pies cúbicos/min (200 l/min)

Peso (Solo Herramienta): 1.3 lb (0.6 kg)

5. Antes de la puesta en marcha

5.1 Indicador LED (fig. 5/pos. 5)

El indicador LED (5) muestra qué nivel de calentamiento está ajustado en la pistola de aire caliente inalámbrica. En el nivel 1, se enciende el LED 1(6). En el nivel 2, se encienden los dos LED (6,7) al mismo tiempo.

5.2 Clip para el cinturón (fig. 6/pos. 8)

Con el clip para el cinturón (8) se puede fijar la pistola de aire caliente inalámbrica en el cinturón o en el bolsillo del pantalón.

Elevar para ello el clip para el cinturón (8) y moverlo hacia un lado.

El clip para el cinturón (8) se fija en orden inverso.

6. Manejo

¡Advertencia!

Después del primer uso, puede ser que del aparato salga un poco de humo. Esto es normal.

6.1 Interruptor ON/OFF

Con el interruptor ON/OFF (1), elegir la temperatura de trabajo deseada y el volumen de aire.

La pistola de aire caliente alcanza en poco tiempo la temperatura de trabajo.

Posición de interruptor 0:

El aparato está apagado

Posición de interruptor 1:

Nivel 1 – 662°F (350°C) / 7 pies cúbicos/min (200 litros/min)

Posición de interruptor 2:

Nivel 2 – 1022°F (550°C) / 7 pies cúbicos/min (200 litros/min)

6.2 Usos posibles de la pistola de aire caliente:

- Quitar laca y pintura. **¡Atención!**: al quitar laca o pintura pueden producirse vapores venenosos y/o nocivos para la salud. Encárguese de que haya suficiente ventilación.
- Quitar adhesivos y motivos de decoración.
- Soltar tuercas y tornillos metálicos oxidados o muy apretados.
- Descongelar tuberías heladas, cerraduras de puertas, etc. **¡Atención!**: el aparato no es adecuado para descongelar tuberías plásticas.

- Resaltar las vetas naturales en superficies de madera, antes de barnizarlas o desbarnizarlas.
- Encoger materiales de embalaje de PVC y mangueras aislantes.
- Encerar y desencerar esquíes.
- Empleo estacionario (véase fig. 7)

Peligro! Los efectos de un calor elevado aumentan el peligro de incendios y explosión. Es imprescindible ventilar a conciencia el puesto de trabajo. Los gases o vapores que se formen pueden llegar a ser nocivos e incluso intoxicantes.

6.3 Elegir la boquilla adecuada (fig 2-4):

- La boquilla de chorro en abanico (9) distribuye homogéneamente el aire en superficies pequeñas.
- La boquilla de reducción (11) sirve para calentar de forma focalizada, por ejemplo esquinas, y para soldar
- La boquilla reflectora (10) sirve para soldar y dar forma a tubos, para descongelar tuberías de agua y para contraer tubos aislantes
- Encajar la boquilla accesoria pertinente en la boquilla (3) en el aparato.

6.4 Expulsor (fig. 8/pos. 4)

La pistola de aire caliente inalámbrica está equipada con un expulsor (4) para las boquillas que permite retirar las boquillas calientes del aparato sin tener que tocarlas.

¡Aviso!

Colocar las boquillas calientes solo en superficies que sean resistentes a temperaturas altas.

6.5 Cómo cargar la batería de litio (no incluido en el volumen de entrega)

Las instrucciones correspondientes se encuentran en el manual de instrucciones original del cargador.

6.6 Indicador de capacidad de batería (fig. 9/pos. 14)

Pulsar el interruptor para acceder al indicador de capacidad de la batería (15). El indicador de capacidad de batería (14) le indica el estado de carga de la batería sirviéndose de 3 LEDs.

Los 3 LED están iluminados:

La batería está completamente cargada.

2 o 1 LED están iluminados

La batería dispone de suficiente carga residual.

1 LED parpadea:

La batería está vacía, es preciso cargarla.

Si todos los LED parpadean:

La temperatura de la batería es demasiado baja. Quitar la batería del aparato y dejarla durante un día a temperatura ambiente. Si vuelve a aparecer el fallo, la batería se ha descargado completamente y está defectuosa. Quitar la batería del aparato. Está prohibido emplear o cargar una batería defectuosa.

7. Mantenimiento y limpieza**Peligro!**

Desenchufar la batería antes de realizar trabajos de limpieza.

7.1 Limpieza

- Reducir al máximo posible la suciedad y el polvo en los dispositivos de seguridad, las rendijas de ventilación y la carcasa del motor. Frotar el aparato con un paño limpio o soplarlo con aire comprimido manteniendo la presión baja.
- Se recomienda limpiar el aparato tras cada uso.
- Limpiar el aparato con regularidad con un paño húmedo y un poco de jabón blando. No utilizar productos de limpieza o disolventes ya que se podrían deteriorar las piezas de plástico del aparato. Es preciso tener en cuenta que no entre agua en el interior del aparato. Si entra agua en el aparato eléctrico existirá mayor riesgo de una descarga eléctrica.

7.2 Mantenimiento

No hay que realizar el mantenimiento a más piezas en el interior del aparato.

8. Eliminación y reciclaje

El aparato está protegido por un embalaje para evitar daños producidos por el transporte. Este embalaje es materia prima y, por eso, se puede volver a utilizar o llevar a un punto de reciclaje. El aparato y sus accesorios están compuestos de diversos materiales, como, p. ej., metal y plástico. Los aparatos defectuosos no deben tirarse a la basura doméstica. Para su eliminación adecuada, el aparato debe entregarse a una entidad recolectora prevista para ello. En caso de no conocer ninguna, será preciso informarse en el organismo responsable del municipio.

9. Almacenamiento

Guardar el aparato y sus accesorios en un lugar oscuro, seco, protegido de las heladas e inaccesible para los niños. La temperatura de almacenamiento óptima se encuentra entre los 41°F y 86°F (5 y 30 °C). Guardar la herramienta eléctrica en su embalaje original.

Sólo está permitido copiar la documentación y documentos anexos del producto, o extractos de los mismos, con autorización expresa de Einhell Germany AG.

Nos reservamos el derecho a realizar modificaciones técnicas



Two horizontal lines are positioned to the right of the pencil's tip, extending across the width of the page. Below these two lines, there are 28 additional horizontal lines, spaced evenly down the page, creating a series of writing lines.



Two horizontal lines are positioned to the right of the pencil illustration. Below these, the page contains 28 additional horizontal lines, providing a template for writing.





A series of horizontal lines for writing, starting with a pencil icon at the beginning of the first line.



www.Einhell.com

EH 12/2022 (01)