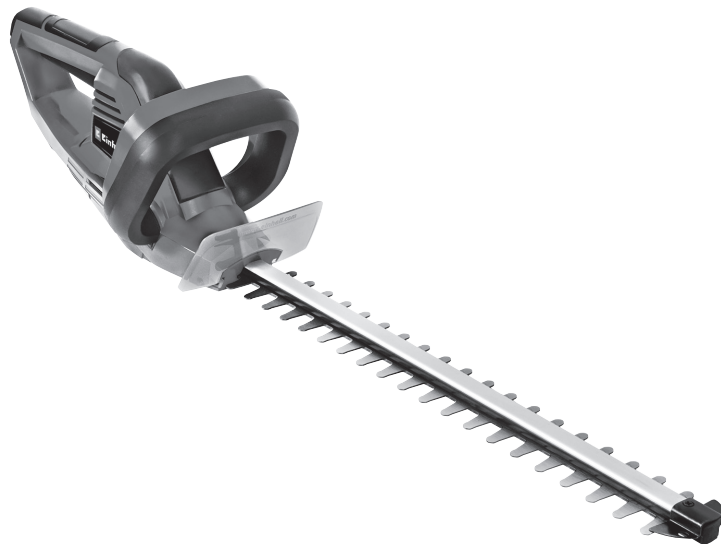


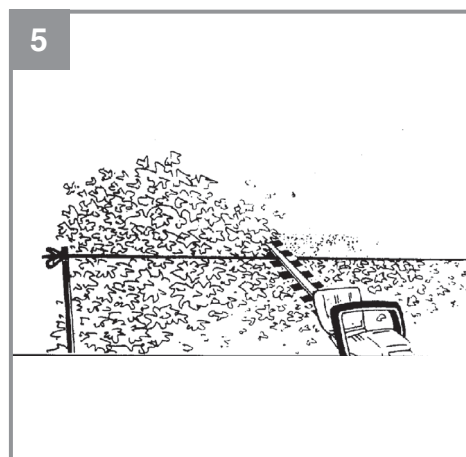
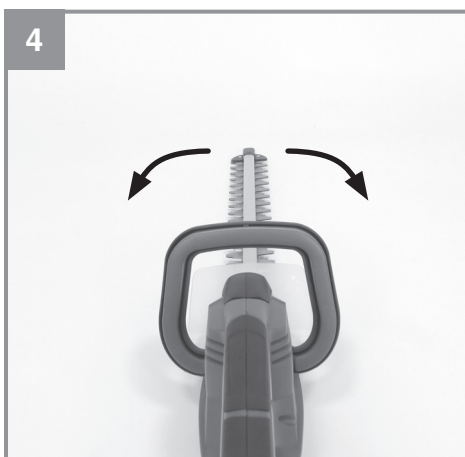
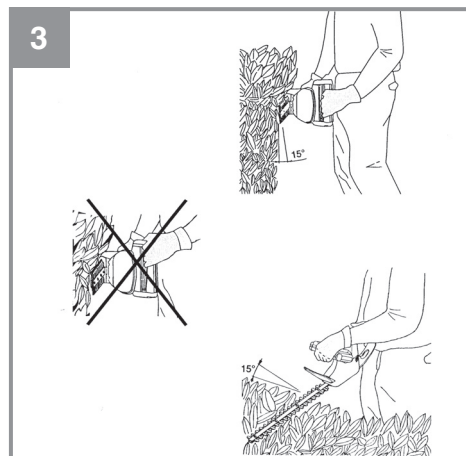
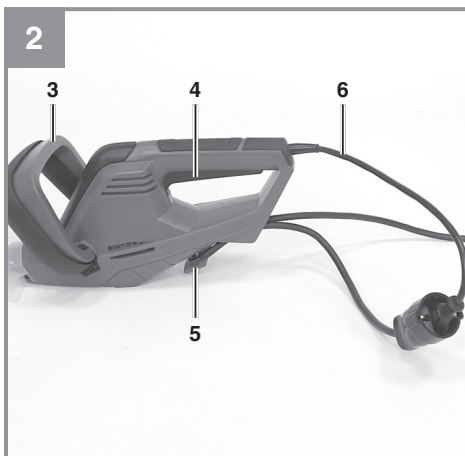
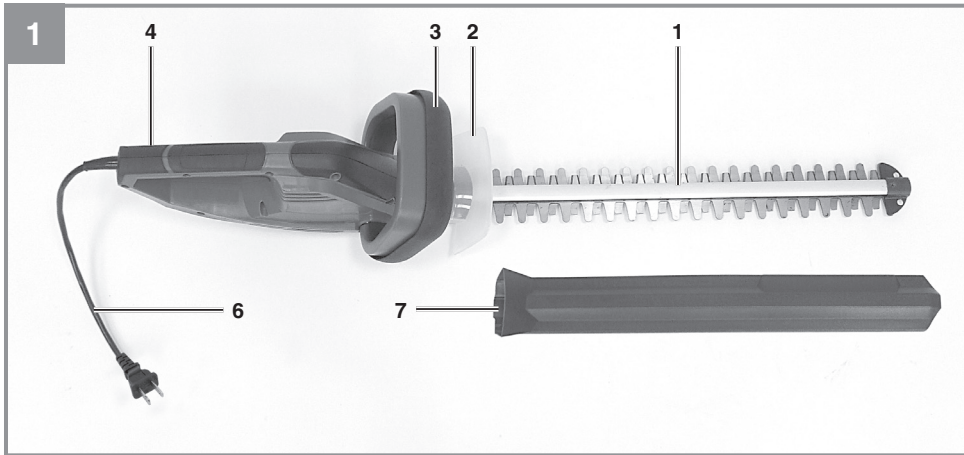
-
- EN** Original operating instructions
Electric Hedge Trimmer
- FR** Traduction du mode d'emploi
d'origine
Taille-haie électrique
- SP** Manual de instrucciones original
Tijeras recortasetos eléctricas

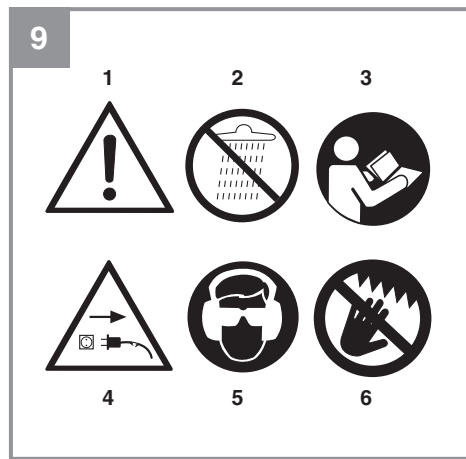
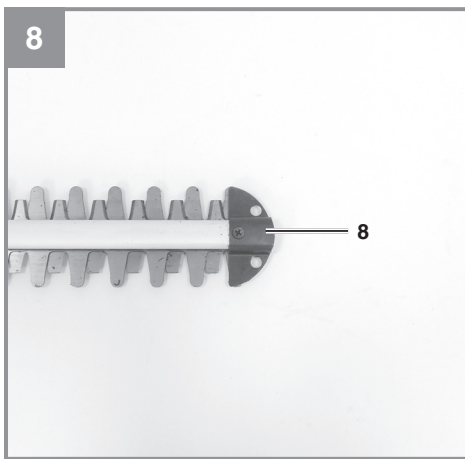
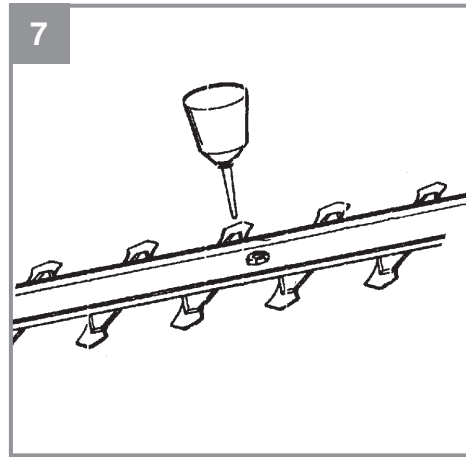
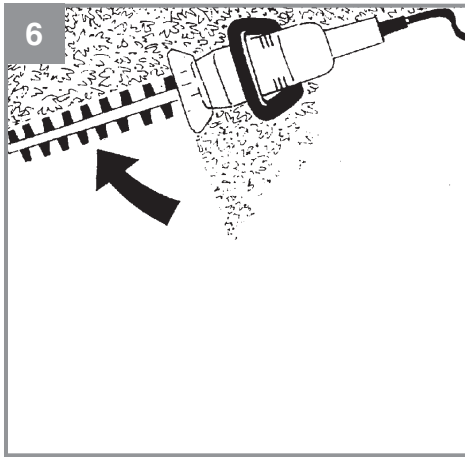


Art.-Nr.: 3403371

I.-Nr.: 21012







DANGER!

When using the equipment, a number of safety precautions must be observed to avoid injuries and damage. Please read the complete operating instructions and safety information with due care. Keep these operating instructions in a safe place so that the information is available at all times. If you give the equipment to any other person, hand over these operating instructions and the safety information as well. We cannot accept any liability for damage or accidents which arise due to failure to follow these instructions and the safety information.

1. Safety information

DANGER!

Read all the safety information and instructions. Failure to adhere to the safety information and instructions set out below may result in electric shock, fire and/or serious injury. **Keep all the safety information and instructions in a safe place for future use.**

General safety information for power tools

The term "power tool" used in the safety regulations refers to power tools operated from the mains power supply (with a power cable) and to battery operated power tools (without a power cable).

1. Workplace safety

- a) **Keep your work area clean and well lit.** Untidy or unlit work areas can result in accidents.
- b) **Do not use this power tool in an area where there is a risk of explosion and where there are inflammable liquids, gases or dust.** Power tools generate sparks that can ignite dust or vapors.
- c) **Keep children and other people away from the power tool while you are using it.** If you are distracted you may lose control of the power tool.

2. Electrical safety

- a) **The plug on the power tool must fit into the socket. The socket must not be modified in any way. Do not use adapter plugs together with power tools with a protective earth.** Unmodified plugs and matching sockets will reduce the risk of an electric shock.

- b) **Avoid body contact with earthed surfaces such as pipes, heating systems, stoves and refrigerators.** There is an increased risk of suffering an electric shock if your body is grounded.
- c) **Keep the power tool out of the rain and away from moisture.** The ingress of water into an electric power tool increases the risk of an electric shock.
- d) **Do not use the power cord for a purpose for which it is not designed, for example to carry the power tool, hang it up or to pull the plug out of the socket. Keep the power cord away from heat, oil, sharp edges and moving parts.** Power cord that are damaged or tangled increase the risk of an electric shock.
- e) **If you use an electric power tool outdoors, use only extension cables that are suitable for outdoor use.** The use of an extension cord, which is suitable for outdoor use, reduces the risk of an electric shock.
- f) **If you cannot avoid using the power tool in a damp location, use a residual current device (RCD) circuit breaker.** The use of a residual current device (RCD) circuit breaker will reduce the risk of suffering an electric shock.

3. Safety of persons

- a) **Be careful, watch what you are doing and be sensible and responsible when using an electric power tool. Never use the power tool if you are tired or under the influence of drugs, alcohol or medication.** One moment of inattention when using the electric tool can result in serious injuries.
- b) **Wear personal safety equipment and always wear safety goggles.** Wearing personal safety equipment such as dust masks, non-slip safety shoes, a helmet or ear plugs, depending on the type and application of the tool, reduces the risk of injury.
- c) **Make sure that the tool cannot start up accidentally. Ensure that the power tool is switched off before you connect it to the power source, pick it up or carry it.** If you have your finger on the switch while carrying the power tool or if you connect the power tool to the power source while it is switched on, this may cause accidents.
- d) **Remove all adjusting tools or wrenches before you switch on the power tool.** Any tool or wrench in a rotating part of the power tool could cause injuries.

- e) **Avoid abnormal working postures. Make sure you stand squarely and keep your balance at all times.** This will enable you to control the power tool better in unexpected situations.
- f) **Wear suitable clothes. Never wear loose fitting clothes or jewelry. Keep hair and clothing away from moving parts.** Loose clothing, jewelry or long hair can be caught by moving parts.
- g) **If dust extraction devices and dust collection devices can be fitted, they must be connected and must be used correctly.** The use of a dust extractor can reduce the dangers posed by dust.
- h) **Do not allow yourself to be lulled into a false sense of security and do not ignore the safety regulations covering electric power tools, even if you are familiar with the power tool after having used it many times.** Carelessness can lead to serious injuries in just a fraction of a second.
4. **Using and handling the power tool**
- a) **Do not overload your power tool. Use the correct electric tool for the job in hand.**
The correct tool will enable you to work better and more safely within the specific performance range.
- b) **Do not use an electric power tool if the switch is defective.** An electric power tool that cannot be switched on or off is dangerous and must be repaired.
- c) **Pull the plug out of the socket before making any adjustments to the tool, changing plug-in tool parts or putting the power tool down.** These precautions will prevent the power tool starting accidentally.
- d) **Keep unused electric tools out of the reach of children. Do not allow people who are not familiar with the power tool or who have not read these instructions to use the power tool.** Electric tools are dangerous if they are used by inexperienced people.
- e) **Look after power tools and plug-in tools with care. Check that moving parts function correctly and do not jam, and whether any parts are broken or damaged such that they adversely affect the function of the power tool. Have damaged parts repaired before you use the power tool.** Many accidents are caused by poorly maintained electric tools.
- f) **Keep cutting tools sharp and clean.**
Carefully maintained cutting tools with sharp cutting edges will jam less and are easier to control.
- g) **Use the power tool, plug-in tools, etc. as set out in these instructions. Take account of the conditions in your work area and the job at hand.** Using electric tools for purposes other than the one for which they are designed can result in dangerous situations.
- h) **Keep the handles and grip surfaces dry, clean and free from oil and grease.** If the handles and grip surfaces are slippery, it will not be possible to operate and control the power tool safely in unforeseen situations.
5. **Service**
- a) **Have your power tool repaired only by trained personnel using only genuine spare parts.** This will ensure that your power tool remains safe to use.
- Hedge trimmer safety warnings:**
- **Keep all parts of the body away from the cutter blades. Do not remove cut material or hold material to be cut when blades are moving. Make sure the switch is off when clearing jammed material.** A moment of inattention while operating the hedge trimmer may result in serious personal injury.
 - **Carry the hedge trimmer by the handles with the cutter blades stopped. When transporting or storing the hedge trimmer always fit the blade guard.** Proper handling of the hedge trimmer will reduce possible personal injury from the cutter blades.
 - **Hold the power tool by insulated gripping surfaces only, because the cutter blades may contact hidden wiring or its own cord.** Cutter blades contacting a "live" wire may make exposed metal parts of the power tool "live" and could give the operator an electric shock.
 - **Keep cable away from cutting area.** During operation the cable may be hidden in shrubs and can be accidentally cut by the blade.
- Specific safety information**
Please read this safety information and the directions for use carefully and be sure to follow the instructions to the letter.
1. Always remove the power plug from the socket-outlet before you perform any work on the hedge trimmer, e.g.:

- Repairing a damaged power cord.
 - Cleaning the blades.
 - Troubleshooting.
 - Cleaning and maintenance or before leaving the tool unattended.
2. The hedge trimmer can cause serious injuries! Read the directions for use carefully in order to acquaint yourself with the correct way to handle, set up, service, start and put down the machine. Familiarize yourself with all the machine's control elements and its proper use.
 3. Always handle the hedge trimmer with both hands.
 4. When working with the hedge trimmer, wear sturdy shoes and make sure to have proper footing.
 5. Never work with the hedge trimmer in the rain or on wet hedges and never leave the hedge trimmer outdoors. The hedge trimmer must not be used if it is wet.
 6. We recommend that you wear safety goggles and ear-muffs when working with the hedge trimmer.
 7. Wear suitable working clothes such as rubber gloves and non-slip shoes. Do not wear loose garments. Keep long hair in a hairnet.
 8. Avoid abnormal postures and make sure to have proper footing, particularly when working on ladders and steps.
 9. Keep the equipment at a suitable distance from your body while working. Never attempt to remove cuttings with the blades running or to hold material you want to cut. Always switch off the equipment before attempting to remove any jammed cuttings. A single moment of carelessness when using the hedge trimmer can result in serious injuries.
 10. Make sure there are no other persons or animals within your working area (radius of swing).
 11. Carry the hedge trimmer only by its guide handle.
 12. Keep the power cord out of the cutting zone. During operation the power cord may be hidden in the hedge and be cut through by accident.
 13. Before you use the hedge trimmer, examine the power cord for signs of damage and aging.
 14. Use the hedge trimmer only when the power cord is in good working order.
 15. Do not remove the power plug from the socket-outlet by pulling on the power cord. Never carry the tool by its power cord. Take care not to damage the power cord in any way.
 16. Protect power cords from heat, caustic fluids and sharp edges. Replace damaged power cords immediately.
 17. Examine the cutting system regularly for signs of damage and, if necessary, arrange for the hedge trimmer to be professionally repaired by a service center or a specialist workshop.
 18. If the blades become jammed, e.g. due to thick branches or the like, switch off and unplug the hedge trimmer immediately. Only then are you to remove the cause of the obstruction.
 19. Keep the hedge trimmer in a dry place out of children's reach.
 20. During transportation and storage of the hedge trimmer, keep the blades covered at all times with the safety guard.
 21. Take care not to overload the hedge trimmer and do not use it on jobs for which it is not intended, i.e. you are allowed to use the hedge trimmer only to cut hedges, shrubs and perennials.
 22. Use only extension cords and connectors approved for outdoor use:
 - To reduce the risk of electric shock, use only with an extension cord suitable for outdoor use, such as SW-A, SOW-A, STW-A, STOW-A, SJW-A, SJOW-A, SJTW-A, or SJTOW-A.
 - The use of a leakage-current or earth-leakage circuit-breaker is recommended for operating electric tools. Ask your electrician!
 23. The hedge trimmer requires regular inspection and maintenance. Always replace damaged blades in pairs. If the hedge trimmer suffers any damage from impact (falling on hard ground, etc.), have it checked immediately by a specialist.
 24. Look after your hedge trimmer carefully. Keep it clean and sharp to ensure efficient and safe cutting. Follow the maintenance and cleaning instructions.
 25. The German Farmers Union, for example, prohibits the use of electric hedge trimmers by persons aged 17 or less. Persons aged 16 and above may only use electric hedge trimmers if supervised by an adult.
 26. Do not use the hedge trimmer with a damaged or excessively worn cutting system.
 27. Check your surroundings and take note of any potential dangers which you may not be able hear due to the machine's noise.
 28. Never try to work with an incomplete machine

- or a machine with unapproved modifications.
29. It is advisable not to use the hedge trimmer when other persons, and particularly children, are nearby.
 30. Children are not allowed to use the hedge trimmer.
 31. The machine may exceed 85 dB(A) at the workplace. The operator will require noise protection measures and ear muffs if this is the case.
 32. Always ensure that all the handles and safety equipment is fitted when the hedge trimmer is in use.
 33. Examine the hedge for any concealed objects, e.g. wire, before you start your work.
 34. This equipment is not designed to be used by people (including children) with limited physical, sensory or mental capacities or those with no experience and/or knowledge unless they are supervised by a person who is responsible for their safety or they have received instructions from such a person in how to use the equipment safely. Children must always be supervised in order to ensure that they do not play with the equipment.
 35. The equipment should be operated via a residual current protective device (RCD) with a trip current of no more than 30 mA.
 36. **Do not use the hedge trimmer in bad weather conditions, especially when there is a risk of lightning.** This decreases the risk of being struck by lightning.

This equipment is not intended to be used by persons (including children) with reduced physical, sensory or mental capacities or those with a lack of experience and/or knowledge. Children must always be supervised in order to ensure that they do not play with the equipment.

SAVE THESE INSTRUCTIONS

Explanation of the warning signs on the equipment (see Fig. 9)

1. Warning!
2. Do not expose the hedge trimmer to rain or wet conditions.
3. CAUTION - Read the operating instructions to reduce the risk of injury.
4. If the power cord is damaged or cut, pull out the power plug from the power source immediately.
5. Wear eye protection and ear plugs.
6. DANGER - Keep hands away from blade.

2. Layout and items supplied

2.1 Layout

1. Bar
2. Hand guard
3. Steady grip with lock-off switch
4. Handle with On/Off switch
5. Extension cord strain-relief clamp
6. Power cord
7. Safety guard
8. Impact guard

2.2 Items supplied

Please check that the article is complete as specified in the scope of delivery. If parts are missing, please contact our service center or the store where you made your purchase at the latest within 5 work days after purchasing the article and upon presentation of a valid bill of purchase.

- Open the packaging and take out the equipment with care.
- Remove the packaging material and any packaging and/or transportation braces (if present).
- Check to see if all the items are supplied.
- Inspect the equipment and accessories for transport damage.
- If possible, keep the packaging until the end of the guarantee period.

Danger!

The equipment and packaging material are not toys. Do not let children play with plastic bags, plastic sheets and small parts. There is a risk of choking and suffocating!

- Electric Hedge Trimmer
- Safety guard
- Original operating instruction with safety information

3. Intended use

Important. This hedge trimmer is suitable for cutting hedges, bushes and shrubs.

The equipment is allowed to be used only for its prescribed purpose. Any other use is deemed to be a case of misuse. The user/operator and not the manufacturer will be liable for any damage or injuries of any kind resulting from such misuse.

Please note that our equipment has not been designed for use in commercial, trade or industrial applications. Our warranty will be voided if the equipment is used in commercial, trade or industrial businesses or for equivalent purposes.

4. Technical data

Voltage: 120V ~ 60 Hz
 Power/amperage: 420 W (3.5 A)
 No load speed: 1600 RPM
 Cutting speed: 3200 cuts/min
 Blade length: 22"
 Tooth spacing: 5/8"
 Max. cutting diameter: 0.47"
 Weight (Tool only): 5.5 lbs

Wear ear-muffs.

The impact of noise can cause damage to hearing.

Reduce noise generation and vibration to a minimum!

- Use only equipment that is in perfect condition.
- Maintain and clean the equipment regularly.
- Adapt your way of working to the equipment.
- Do not overload the equipment.
- Have the equipment checked if necessary.
- Switch off the equipment when not in use.
- Wear gloves.

CAUTION!

Residual risks

Even if you use this electric power tool in accordance with the instructions, certain residual risks cannot be eliminated. The following hazards may arise in connection with the equipment's construction and layout:

1. Damage to hearing if no suitable ear protection is applied.
2. Health damage caused by hand-arm vibrations if the equipment is used over a longer period or is not properly guided and maintained.

5. Before starting the equipment

Before you connect the equipment to the power source make sure that the data on the rating plate are identical to the power data.

Warning!

Always remove the power plug from the power source before making adjustments to the equipment.

Electric brake

For safety reasons, the equipment is supplied with an electric brake system that stops the cutting blades as quickly as possible after the equipment has been switched off. The equipment may therefore emit an odor or generate sparks when it is switched off. This has no influence on the future operational performance or safety of the equipment. Please avoid switching the equipment on and off more often than necessary.

6. Operation

The hedge trimmer is equipped with a two-handed safety switch system. The equipment works only when the lock-off switch on the steady grip (Figure 2 / Item 3) is pressed with one hand and the On/Off switch on the handle (Figure 2 / Item 4) is pressed with the other hand. If either switch is released, the blades will stop moving.

Please watch out for the blades as they slow down to a standstill.

- Please check that the blades work properly. The twin-blades rotate in opposite directions, thus guaranteeing high cutting performance and smooth operation.
- Before use, fasten the extension cord in the strain-relief clamp (see Fig. 2).
- When working outdoors, use extension cords that are approved for the purpose.

Notes on working practice

- A hedge trimmer can be used to cut shrubs and bushes as well as hedges.
- To obtain the best cutting results, hold the hedge trimmer so that the teeth of the blades are at an angle of approx. 15° in relation to the hedge (see Figure 3).
- The twin-blades rotate in opposite directions, thus enabling cutting in both directions (see Figure 4).
- It is recommended to tie a guide line of string

or the like along the hedge so that you cut the hedge to a level height. Cut off all branches which protrude beyond the guide line (see Figure 5).

- Cut the sides of the hedge with curve-shaped movements from the bottom up (see Figure 6).

7. Replacing the power cord

Danger!

If the power cord for this equipment is damaged, it must be replaced by a special power cord which is available from the manufacturer or a service center.

8. Cleaning and maintenance

HAZARD!

Always remove the power plug from the power source before starting any cleaning work.

8.1 Cleaning

- Keep all safety devices, air vents and the motor housing free of dirt and dust as far as possible. Wipe the equipment with a clean cloth or blow it down with compressed air at low pressure.
- We recommend cleaning the equipment immediately each time after use.
- Clean the equipment regularly with a damp cloth and some soft soap. Do not use cleaning agents or solvents; these may be aggressive to the plastic parts in the equipment. Ensure that no water can get into the interior of the equipment. The ingress of water into an electric power tool increases the risk of an electric shock.

8.2 Servicing

- The blades should be cleaned and lubricated at regular intervals in order to ensure best performance at all times. Remove deposits with a brush and apply a thin film of machine oil (see Figure 7).
- There are no other parts inside the equipment which require maintenance.

9. Disposal and recycling

The equipment is supplied in packaging to prevent it from being damaged in transit. The raw materials in this packaging can be reused or recycled. The equipment and its accessories are made of various types of material, such as metal and plastic. Never place defective equipment in your household refuse. The equipment should be taken to a suitable collection center for proper disposal. If you do not know the whereabouts of such a collection point, you should ask in your local council offices.

10. Storage

Store the equipment and its accessories out of children's reach in a dark and dry place at above freezing temperature. The ideal storage temperature is between 41°F and 86°F (5°C and 30°C). Keep the electric tool in its original packaging.

The reprinting or reproduction by any other means, in whole or in part, of documentation and papers accompanying the products is strictly subject to the express consent of Einhell Germany AG.

Subject to technical changes.

Danger !

Certaines mesures de sécurité doivent être respectées pendant l'utilisation des appareils pour empêcher les blessures et les dommages. Par conséquent, lisez attentivement le présent mode d'emploi / les consignes de sécurité. Conservez-les bien pour avoir les informations toujours à la portée de la main. Si vous devez passer l'appareil à d'autres personnes, veuillez leur remettre également le présent mode d'emploi / les consignes de sécurité. Nous ne sommes pas tenus des accidents ou dommages survenus à cause de non-respect du présent mode d'emploi et des consignes de sécurité.

1. Consignes de sécurité**Danger !**

Lisez toutes les consignes de sécurité et instructions. Le non-respect des consignes de sécurité et des instructions peut causer une électrocution, un incendie et / ou de graves blessures. **Conservez toutes les consignes de sécurité et instructions pour l'avenir.**

Consignes générales de sécurité pour les outils électriques

Le terme « outil électrique » utilisé dans les consignes de sécurité se réfère à des outils électriques alimentés par le secteur (avec câble d'alimentation) et à des outils électriques alimentés par la batterie (sans câble d'alimentation).

1. Sécurité du poste de travail

- a) **Maintenez votre zone de travail propre et bien éclairée.** Une zone de travail désordonnée et mal éclairée peut être source d'accidents.
- b) **Ne travaillez pas avec l'outil électrique dans un environnement exposé à un risque d'explosion, dans lequel se trouvent des liquides, des gaz ou des poussières inflammables.** Les outils électriques produisent des étincelles, qui peuvent enflammer la poussière ou les vapeurs.
- c) **Maintenez les enfants et autres personnes à distance pendant l'utilisation de l'outil électrique.** En cas d'inattention, vous pouvez perdre le contrôle de l'outil électrique.

2. Sécurité électrique

- a) **La fiche de raccordement de l'outil électrique doit être adaptée à la prise de**

courant. La fiche de contact ne doit être modifiée en aucune façon. N'utilisez pas de connecteur adaptateur avec des outils électriques comportant une protection de mise à la terre. Des fiches de contact non modifiées et des prises de courant adaptées diminuent le risque d'une décharge électrique.

- b) **Évitez d'avoir un contact corporel avec des surfaces mises à la terre, comme les tuyaux, les chauffages, les cuisinières et les réfrigérateurs.** Le risque d'une décharge électrique est plus élevé lorsque votre corps est mis à la terre.
 - c) **Maintenez les outils électriques à l'abri de la pluie ou de l'humidité.** La pénétration de l'eau dans un outil électrique augmente le risque de décharge électrique.
 - d) **N'utilisez pas le cordon d'alimentation pour un autre emploi que celui prévu, pour porter l'outil électrique, l'accrocher ou débrancher la fiche de contact de la prise électrique. Éloignez le cordon d'alimentation de la chaleur, de l'huile, des arêtes acérées ou des pièces mobiles.** Des cordons d'alimentation endommagés ou embrouillés augmentent le risque d'une décharge électrique.
 - e) **Lorsque vous travaillez en plein air avec un outil électrique, n'utilisez que des rallonges adaptées pour l'extérieur.** L'utilisation d'une rallonge adaptée pour l'extérieur diminue le risque d'une décharge électrique.
 - f) **Lorsque vous ne pouvez pas éviter d'utiliser l'outil électrique dans un environnement humide, utilisez un disjoncteur à courant de défaut.** L'utilisation d'un dispositif différentiel à courant résiduel diminue le risque d'une décharge électrique.
3. **Sécurité des personnes**
 - a) **Faites attention, veillez à ce que vous faites et soyez raisonnable en travaillant avec des outils électriques. N'utilisez pas d'outil électrique lorsque vous êtes fatigué(e) ou sous influence de drogues, de l'alcool ou encore de médicaments.** Un moment d'inattention pendant l'utilisation de l'outil électrique peut entraîner des blessures graves.
 - b) **Portez un équipement de protection individuelle et portez toujours des lunettes de protection.** Le port d'un équipement de protection individuelle comme un masque anti-poussière, des chaussures de sécurité

antidérapantes, un casque de protection ou une protection de l'ouïe selon le type d'outil électrique et son utilisation diminue le risque de blessures.

- c) **Évitez une mise en marche involontaire. Assurez-vous que l'outil électrique est éteint avant de le brancher au réseau électrique, de le prendre ou de le porter.** Si, lorsque vous portez l'outil électrique, vous avez le doigt sur l'interrupteur ou que vous branchez l'outil électrique allumé au réseau électrique, cela peut entraîner des accidents.
 - d) **Enlevez les outils de réglage ou les clés à vis, avant de mettre l'outil électrique en marche.** Un outil ou une clé se trouvant dans une pièce rotative de l'outil électrique peut provoquer des blessures.
 - e) **Adoptez une position correcte. Veillez à avoir une position stable et constamment un bon équilibre.** De cette manière, vous pourrez mieux contrôler l'outil électrique dans des situations inattendues.
 - f) **Portez une tenue appropriée. Ne portez aucun vêtement large ou bijou. Éloignez les cheveux et les habits des pièces mobiles.** Les habits larges, les bijoux ou les cheveux longs peuvent être attrapés par des pièces mobiles.
 - g) **Lorsque des dispositifs d'aspiration et de collecte de poussière peuvent être montés, branchez-les et utilisez-les correctement.** L'utilisation d'un dispositif d'aspiration de la poussière peut permettre d'éviter les risques dus à la poussière.
 - h) **Ne vous laissez pas bercer par un faux sentiment de sécurité et ne vous affranchissez pas des règles de sécurité pour les outils électriques, même si, après l'avoir utilisé plusieurs fois, vous connaissez l'outil.** Tout manque d'attention peut entraîner de graves blessures en quelques fractions de seconde.
4. **Utilisation et prise en main de l'outil électrique**
- a) **Ne surchargez pas l'outil électrique. Utilisez l'outil électrique correspondant à votre type de travail.** Vous travaillerez mieux et plus sûrement avec le bon outil électrique dans le domaine de puissance indiqué.
 - b) **N'utilisez pas d'outil électrique dont l'interrupteur est défectueux.** Un outil électrique impossible à mettre en marche ou à l'arrêt est dangereux et doit être réparé.
 - c) **Débranchez la fiche de contact de la prise de courant avant de procéder à des réglages sur l'appareil, de changer des accessoires ou de ranger l'outil électrique.** Ces mesures de précaution permettent d'éviter un démarrage involontaire de l'outil électrique.
 - d) **Conservez les outils électriques hors de portée des enfants. Empêchez les personnes qui ne connaissent pas l'outil électrique ainsi que celles qui n'ont pas lu ces instructions d'utiliser celui-ci.** Les outils électriques sont dangereux lorsqu'ils sont utilisés par des personnes inexpérimentées.
 - e) **Entretenez avec soin les outils électriques et les outils enfichables. Vérifiez si les pièces mobiles de l'appareil fonctionnent sans problème et ne coincent pas, si des pièces sont cassées, ou si endommagées que le fonctionnement de l'outil électrique s'en trouve altéré. Faites réparer les pièces endommagées avant d'utiliser l'outil électrique.** Beaucoup d'accidents trouvent leur origine dans des outils électriques mal entretenus.
 - f) **Gardez les outils de coupe propres et aiguisés.** Un outil de coupe soigneusement entretenu dont les arêtes de coupe sont vives coince moins souvent et est plus facile à guider.
 - g) **Utilisez les outils électriques, les outils enfichables, etc. en respectant ces instructions. Tenez compte ce-faisant des conditions de travail et du travail à exécuter.** L'utilisation d'outils électriques pour d'autres applications que celles prévues peut entraîner des situations dangereuses.
 - h) **Maintenez les poignées et les surfaces de poignées sèches, propres et exemptes d'huile et de graisse.** Des poignées et surfaces de poignées glissantes ne permettent pas une commande et un contrôle sûrs de l'outil électrique dans les situations imprévues.
5. **Service après-vente**
- a) **Faites réparer votre outil électrique uniquement par un personnel spécialisé qualifié et uniquement en utilisant des pièces de rechange d'origine.** De cette manière, la sécurité d'utilisation de l'outil électrique est garantie.

Consignes de sécurité des taille-haies

- **Gardez toutes les parties du corps à distance des lames. N'essayez pas de retirer de l'herbe coupée alors que les lames fonctionnent, ni de tenir du matériau à couper.** Retirez le matériau à couper coincé uniquement lorsque l'appareil est à l'arrêt. Un moment d'inattention en utilisant le taille-haie peut entraîner de graves blessures.
- **Portez le taille-haie par la poignée lorsque les lames sont à l'arrêt. Lorsque vous transportez ou conservez le taille-haie, recouvrez-le toujours de son garde de protection.** Un maniement minutieux de l'appareil réduit les risques de blessure par les lames.
- **Tenez l'appareil par les poignées isolées car les lames est susceptible de toucher des câbles électriques cachés ou le cordon d'alimentation de l'appareil.** Le contact des lames avec une conduite conductrice de tension peut également mettre sous tension des pièces en métal de l'appareil et entraîner une décharge électrique.
- **Maintenez la rallonge à distance de la zone de coupe.** Pendant l'opération, la rallonge peut être cachée dans un buisson et être coupée accidentellement.

Consignes de sécurité

Veillez lire les consignes de sécurité et le mode d'emploi avec attention et les respecter scrupuleusement!

1. Avant tous travaux sur le taille-haie, retirez la prise secteur, par exemple en cas de :
 - Endommagement du cordon d'alimentation.
 - Nettoyage des lames.
 - Dépannage.
 - Nettoyage et entretien ou avant de laisser l'outil sans surveillance.
2. La machine peut provoquer de graves blessures! Veuillez lire avec attention le mode d'emploi pour un emploi correct, les préparatifs, la réparation, la mise en marche et l'entreposage de la machine. Familiarisez-vous avec toutes les pièces de réglage et prenez connaissance des consignes permettant sa bonne utilisation.
3. Le taille-haie doit exclusivement être utilisé en tenant des deux mains.
4. Lors de travaux effectués avec le taille-haie, veillez à bien rester dans une position sûre et à porter des chaussures fixes.
5. Ne taillez pas de haies humides, ne vous servez pas du taille-haie sous la pluie et ne le laissez pas posé à l'air libre. Il ne doit pas être utilisé tant qu'il est encore humide.
6. Il est recommandé de porter des lunettes de protection et une protection de l'ouïe pendant la coupe.
7. Portez des vêtements appropriés comme des gants, des chaussures antidérapantes et ne portez pas de vêtements larges. Portez vos cheveux longs rassemblés dans un filet.
8. Évitez une tenue anormale du corps et assurez-vous de bien garder l'équilibre, surtout si vous employez des échelles et marchepieds.
9. Gardez l'appareil à bonne distance du corps pendant son utilisation. N'essayez pas de retirer de l'herbe coupée lorsque les lames sont en marche, ni de tenir du matériau à couper. Retirez le matériau à couper coincé uniquement lorsque l'appareil est à l'arrêt. Un moment d'inattention pendant l'utilisation du taille-haie peut entraîner de graves blessures.
10. Veillez à ce qu'aucune personne ni aucun animal ne se trouve dans la zone de fonctionnement ou de pivotement de l'appareil.
11. Portez le taille-haie exclusivement par la poignée de guidage.
12. Maintenez la rallonge hors du champ de coupe. Pendant le travail, la rallonge peut être cachée dans un buisson et être coupée accidentellement.
13. Vérifiez le cordon d'alimentation avant d'utiliser l'appareil, pour repérer toute trace d'usure ou d'endommagement.
14. Le taille-haie ne doit être utilisé que si le cordon d'alimentation est en parfait état.
15. Ne retirez pas la fiche de la prise en la tirant par le cordon d'alimentation. Ne portez pas l'appareil par le cordon d'alimentation. Évitez tout endommagement du cordon d'alimentation.
16. Protégez le cordon d'alimentation de la chaleur, contre tout contact avec des liquides corrosifs et des arêtes acérées. Remplacez immédiatement tout cordon d'alimentation endommagé.
17. Il faut faire régulièrement vérifier le dispositif de coupe quant à d'éventuels endommagements et faire réparer l'outil de coupe, si besoin, faire réparer le taille-haie par un centre de service ou un atelier spécialisé.
18. Si le dispositif de coupe se bloque, par exemple en raison de branches épaisses, etc., le taille-haie doit immédiatement être mis à l'arrêt, la fiche de raccordement retirée

et ce n'est qu'ensuite que la cause du blocage peut être retirée.

19. Entrez l'appareil dans un lieu sec, sûr et inaccessible pour les enfants.
20. Lors du transport et de l'entreposage, le dispositif de coupe doit toujours être recouvert du garde de protection.
21. Évitez de trop charger l'outil et de l'employer pour d'autres travaux que ceux pour lesquels il a été conçu, autrement dit, le taille-haie doit uniquement être utilisé pour tailler des haies, des buissons et des arbrisseaux.
22. N'utilisez que des rallonges et des connecteurs homologués pour une utilisation à l'extérieur :
 - Pour réduire le risque de choc électrique, utilisez uniquement une rallonge adaptée à une utilisation en extérieur, telle que SW-A, SOW-A, STW-A, STOW-A, SJW-A, SJOW-A, SJTW-A ou SJTOW-A.
 - Pour le fonctionnement d'outils électriques, il est recommandé d'utiliser un dispositif de protection contre les courants de fuite ou un interrupteur de protection contre les courants de court-circuit. Demandez à votre spécialiste électricien(ne)!
23. Le taille-haie doit être vérifié et entretenu régulièrement. Ne remplacez les lames endommagées que par paire. En cas d'endommagement dû à une chute ou un coup, faites-le vérifier immédiatement par un(e) spécialiste.
24. Effectuez un entretien et une maintenance consciencieuse de votre outil. Gardez votre outil en bon état de propreté et bien aiguisé pour bien pouvoir travailler en toute sécurité. Respectez les consignes de maintenance et d'entretien.
25. Conformément aux prescriptions de la caisse de prévoyance de l'agriculture, seules les personnes de plus de 17 ans sont autorisées à effectuer des travaux avec des taille-haie électriques. Ceci est autorisé pour les personnes à partir de 16 ans sous surveillance d'une personne adulte.
26. N'utilisez pas la machine si son dispositif de coupe est endommagé ou trop usé.
27. Familiarisez-vous avec votre environnement et veillez aux risques probables que vous pourriez ne pas entendre en raison du bruit de la machine.
28. N'essayez jamais d'utiliser une machine incomplète ni encore une machine ayant été modifiée sans autorisation.
29. L'utilisation du taille-haie est à éviter si il y a des gens, surtout les enfants dans la région.
30. Il est interdit aux enfants d'utiliser le taille-haie.
31. Le bruit au poste de travail peut dépasser 85 dB(A). Dans ce cas, des mesures antibruit et de protection de l'ouïe sont nécessaires à l'opérateur.
32. Veillez toujours à ce que toutes les poignées et dispositifs de protection soient bien montés lorsque vous utilisez le taille-haie.
33. Avant le travail, regardez dans la haie si des objets sont dissimulés, par exemple des câbles, etc.
34. Cet appareil ne convient pas aux personnes (y compris les enfants) qui en raison de leurs capacités physiques, sensorielles ou intellectuelles ou leur manque d'expérience et/ou de connaissances ne peuvent pas l'utiliser de manière sûre, à moins d'être surveillées et de recevoir les instructions relatives à l'utilisation de l'appareil par une personne responsable de leur sécurité. Surveillez les enfants pour vous assurer qu'ils ne jouent pas avec l'appareil.
35. La machine devrait être utilisée via un disjoncteur à courant de défaut (RCD) avec un courant de déclenchement ne dépassant pas les 30 mA.
36. **Ne pas utiliser le taille-haies par mauvais temps, particulièrement s'il y a un risque des éclairs.** Ceci minimisera les probabilités d'être touché par la foudre.

L'appareil n'est pas destiné à être utilisé par les personnes (y compris les enfants) ayant des capacités physiques, sensorielles ou mentales limitées ou manquant d'expérience et/ou de connaissances. Surveillez les enfants pour vous assurer qu'ils ne jouent pas avec l'appareil.

CONSERVEZ CES INSTRUCTIONS

Explication de la plaque indicatrice sur l'appareil (voir figure 9)

1. Avertissement !
2. Protégez de la pluie et de l'humidité.
3. AVERTISSEMENT - Pour réduire un risque de blessures, lisez le mode d'emploi !
4. Si le cordon d'alimentation est endommagé ou coupé, débranchez immédiatement la fiche de la source de courant.
5. Portez des protections pour les yeux et l'ouïe.
6. DANGER — Éloigner les mains des lames.

2. Description de l'appareil et contenu de l'emballage

2.1 Description de l'appareil

1. Lame
2. Protège-main
3. Poignée de guidage avec verrouillage de mise en marche
4. Poignée avec interrupteur marche/arrêt
5. Serre-rallonge
6. Cordon d'alimentation
7. Garde de protection
8. Pare-chocs

2.2 Contenu d'emballage

Veillez contrôler l'intégralité de l'article au moyen du contenu d'emballage décrit. En cas de pièces manquantes, veuillez contacter notre centre de service à la clientèle ou le point de vente où vous avez acheté l'appareil au plus tard dans les 5 jours ouvrables à compter de l'achat de l'article en présentant un ticket de caisse valable.

- Ouvrez l'emballage et retirez prudemment l'appareil.
- Enlevez le matériau d'emballage ainsi que les sécurités d'emballage et de transport (le cas échéant).
- Vérifiez l'intégralité du contenu d'emballage.
- Vérifiez si l'appareil et les accessoires présentent des dommages dus au transport.
- Si possible, conservez l'emballage jusqu'à l'expiration de la durée de garantie.

Danger !

L'appareil et le matériau d'emballage ne sont pas un jouet ! Les enfants ne doivent pas jouer avec des sachets en plastique, des films ou de petites pièces ! Il existe le risque d'ingestion et de suffocation !

- Taille-haie électrique
- Garde de protection
- Mode d'emploi d'origine avec consignes de sécurité

3. Utilisation conforme

Attention ! Ce taille-haie convient à tailler des haies, des buissons et des broussailles.

La machine ne doit être utilisée que conformément à sa destination. Toute autre utilisation dépassant ce cadre n'est pas conforme. C'est l'utilisateur / l'opérateur qui est responsable de tous les dommages ou blessures de toute nature en résultant et non pas le fabricant.

Veillez noter que nos appareils n'ont pas été conçus pour une utilisation commerciale, artisanale ou industrielle. Nous n'accordons aucune garantie si l'appareil est utilisé dans des entreprises commerciales, artisanales ou industrielles ou pour des activités équivalentes.

4. Caractéristiques techniques

Tension du réseau: 120V ~ 60 Hz
 Puissance/ampérage: 420 W (3,5 A)
 Vitesse sans charge: 1600 tr/min (RPM)
 Vitesse de coupe: 3200 CPM
 Longueur de lame: 56 cm (22")
 Écart des dents : 16 mm (5/8")
 Diamètre de coupe max.: 12 mm (0,47")
 Poids (outil seulement): 2,5 kg (5,5 lb)

Portez une protection auditive.

Le bruit peut provoquer une perte d'acuité auditive.

Limitez à un minimum l'émission de bruit et les vibrations !

- Utilisez uniquement des appareils irréprochables.
- Entretenez et nettoyez l'appareil régulièrement.
- Adaptez votre méthode de travail à l'appareil.
- Ne surchargez pas l'appareil.
- Faites examiner l'appareil le cas échéant.
- Éteignez l'appareil lorsqu'il n'est plus utilisé.
- Portez des gants.

Attention !**Risques résiduels**

Il existe toujours des risques même si vous vous servez correctement de cet outil électrique. Les risques suivants peuvent se produire en rapport avec la structure et la réalisation de cet outil électrique :

1. Lésions auditives, si vous ne portez pas de protection auditive appropriée.
2. Dommages pour la santé résultant des vibrations mains-bras, si votre appareil est utilisé d'une manière prolongée ou tenu et entrete nu de manière incorrecte.

5. Avant la mise en marche

Assurez-vous, avant de brancher la machine, que les données se trouvant sur la plaque de signalisation correspondent bien aux données de la source de courant.

Avertissement !

Retirez toujours la fiche de la source de courant avant d'effectuer des réglages sur l'équipement.

Frein électrique

Pour des raisons de sécurité, l'appareil est équipé d'un système de frein électrique qui arrête les lames aussi rapidement que possible lors de la mise à l'arrêt. Lors de la mise à l'arrêt de l'appareil, il peut donc se dégager une légère odeur ou des étincelles. Cela n'a pas d'incidence sur la capacité ou la sécurité de fonctionnement ultérieure de l'appareil ! Évitez d'allumer et d'éteindre l'appareil fréquemment et inutilement.

6. Fonctionnement

Le taille-haie est doté d'un interrupteur de sécurité à deux mains. Il ne fonctionne que lorsque l'on appuie d'une main sur le verrouillage de mise en marche de la poignée de guidage (figure 2 / pos. 3) et de l'autre main sur l'interrupteur marche/arrêt de la poignée (figure 2 / pos. 4). Si l'un des interrupteurs est relâché, les lames s'arrêtent.

Veillez faire attention aux lames lorsqu'elles ralentissent jusqu'à l'arrêt.

- Vérifiez le fonctionnement des lames. Les lames coupantes des deux côtés fonctionnent en sens contraire l'une de l'autre et garantissent de la sorte une grande puis-

sance de coupe et un fonctionnement en douceur.

- Fixez - avant l'utilisation - la rallonge dans le serre-rallonge (voir figure 2).
- Il faut utiliser les rallonges dûment homologuées pour le fonctionnement pour utilisation à l'extérieur.

Consignes de travail

- Outre les haies, il est possible de tailler aussi des buissons et broussailles avec un taille-haie.
- La meilleure performance de coupe sera atteinte en guidant le taille-haie de telle manière que les dents des lames se trouvent dans un angle d'environ 15° tourné vers la haie (voir figure 3).
- Les lames coupant des deux côtés permettent de couper dans les deux sens (voir figure 4).
- Pour obtenir une hauteur de haie à niveau, il est recommandé de tendre un fil comme repère le long de l'arête de la haie. Les branches qui dépassent sont coupées (voir figure 5).
- Les surfaces latérales d'une haie doivent être coupées d'un mouvement du bas vers le haut en forme d'arcs (voir figure 6).

7. Remplacement du cordon d'alimentation**Danger !**

Si le cordon d'alimentation de cet appareil est abîmé, il devra être remplacé par un câble spécial, disponible auprès du fabricant ou un centre de service.

8. Nettoyage et entretien**Danger !**

Retirez la fiche avant tous travaux de nettoyage.

8.1 Nettoyage

- Maintenez les dispositifs de protection, les fentes d'aération et les carters de moteur aussi exempt de poussières et de saletés que possible. Frottez l'appareil avec un linge propre et nettoyez-le à l'air comprimé à basse pression.
- Nous recommandons de nettoyer l'appareil directement après chaque utilisation.

- Nettoyez l'appareil régulièrement avec un linge humide et un peu de savon doux. N'utilisez pas de détergeant ni de solvants ; ils peuvent détériorer les éléments en plastique de l'appareil. Veillez à ce que l'eau ne puisse pas pénétrer à l'intérieur de l'appareil. La pénétration de l'eau dans un appareil électrique augmente le risque d'une électrocution.

8.2 Entretien

- Pour toujours obtenir une meilleure performance, les lames doivent être régulièrement nettoyées et graissées. Supprimez les dépôts à l'aide d'une brosse et enduisez-la d'un léger film d'huile à machine (voir figure 7).
- L'intérieur de l'appareil ne contient pas de pièces exigeant un entretien.

9. Élimination et recyclage

L'appareil se trouve dans un emballage pour empêcher les dommages dus au transport. Cet emballage constitue une matière première et peut par conséquent être réutilisé ou peut être recyclé. L'appareil et ses accessoires sont fabriqués à partir de différents produits, comme par exemple le métal et les matières plastiques. Ne jetez pas les appareils défectueux dans les déchets ménagers. Pour être éliminé de façon appropriée, l'appareil devrait être déposé à un lieu de collecte approprié. Si vous ne connaissez aucun lieu de collecte, informez-vous auprès de l'administration municipale.

10. Entreposage

Entreposez l'appareil et ses accessoires dans un endroit sombre, sec et exempt de gel ainsi que hors la portée des enfants. La température d'entreposage optimale se situe entre 41 °F et 86 °F (5 °C et 30 °C). Entreposez l'outil électrique dans l'emballage d'origine.

Une réimpression ou toute autre reproduction de la documentation et des documents accompagnant les produits, même par extraits, ne sont autorisées qu'avec accord exprès d'Einhell Germany AG.

Sous réserve des modifications techniques.

Peligro!

Al usar aparatos es preciso tener en cuenta una serie de medidas de seguridad para evitar lesiones o daños. Por este motivo, es preciso leer atentamente este manual de instrucciones/advertencias de seguridad. Guardar esta información cuidadosamente para poder consultarla en cualquier momento. En caso de entregar el aparato a terceras personas, será preciso entregarles, asimismo, el manual de instrucciones/advertencias de seguridad. No nos hacemos responsables de accidentes o daños provocados por no tener en cuenta este manual y las instrucciones de seguridad.

1. Instrucciones de seguridad**Peligro!**

Lea todas las instrucciones de seguridad e indicaciones. El incumplimiento de dichas instrucciones e indicaciones puede provocar descargas, incendios y/o daños graves. **Guarde todas las instrucciones de seguridad e indicaciones para posibles consultas posteriores.**

Instrucciones generales de seguridad para herramientas eléctricas

El término de "herramienta eléctrica" que se usa en las instrucciones de seguridad se refiere a las herramientas que funcionan en red (con cable de conexión) y con batería (sin cable de conexión).

1. Seguridad en el lugar de trabajo

- a) **Mantener limpia y bien iluminada la zona de trabajo.** Las zonas de trabajo desordenadas o sin luz pueden conllevar accidentes.
- b) **No trabajar con esta herramienta eléctrica en un entorno explosivo en el que se hallen líquidos, gases o polvos inflamables.** Las herramientas eléctricas generan chispas que pueden inflamar el polvo o los vapores.
- c) **Mantener alejados a niños y demás personas durante la utilización de la herramienta eléctrica.** Las distracciones pueden hacer perder el control sobre la herramienta eléctrica.

2. Seguridad eléctrica

- a) **El enchufe de la herramienta eléctrica debe ser el adecuado para la toma de corriente. No está permitido realizar ninguna modificación en el enchufe. No**

emplear adaptadores de enchufe con herramientas eléctricas puestas a tierra.

Los enchufes sin modificar y las tomas de corriente adecuadas reducen el riesgo de una descarga eléctrica.

- b) **Evitar el contacto corporal con superficies con toma de tierra tales como tubos, calefacciones, fogones y frigoríficos.** Existe un gran riesgo de descarga eléctrica si el cuerpo se conecta o pone a tierra.
 - c) **Mantener las herramientas eléctricas alejadas de la lluvia o la humedad.** Si entra agua en la herramienta eléctrica, existirá mayor riesgo de que se produzca una descarga eléctrica.
 - d) **No utilizar el cable de conexión de forma inadecuada, no utilizarlo para transportar la herramienta eléctrica, colgarla o retirarla de la toma de corriente. Mantener el cable de conexión alejado del calor, aceites, cantos afilados o piezas en movimiento.** Los cables de conexión dañados o mal enrollados aumentan el riesgo de descarga eléctrica.
 - e) **Si se trabaja con una herramienta eléctrica al aire libre, emplear solo alargaderas que también sean adecuadas para el exterior.** El empleo de una alargadera apropiada para trabajos en el exterior reduce el riesgo de descarga eléctrica.
 - f) **Si no se puede evitar tener que utilizar la herramienta eléctrica en un entorno húmedo, utilizar un dispositivo de protección diferencial.** El uso de un dispositivo de protección diferencial reduce el riesgo de sufrir una descarga eléctrica.
3. **Seguridad de personas**
 - a) **Prestar atención, comprobar lo que se está haciendo y actuar de forma razonable cuando se trabaje con una herramienta eléctrica. No emplear la herramienta eléctrica si se está cansado o bajo la influencia de drogas, alcohol o medicamentos.** Una mínima falta de atención durante el uso de la herramienta eléctrica puede tener como consecuencia lesiones graves.
 - b) **Llevar equipamiento de protección personal y siempre unas gafas protectoras.** El hecho de llevar equipamiento de protección personal como mascarilla, calzado de seguridad antideslizante, casco de protección o protección para los oídos, según el tipo y uso de la herramienta eléctrica, reduce el riesgo de sufrir lesiones.

- c) **Evitar poner la herramienta en marcha de manera no intencionada. Asegurarse de que la herramienta está desconectada antes de enchufarla a la red eléctrica y/o a la batería, tomarla en la mano o transportarla.** Peligro de sufrir accidentes si la herramienta eléctrica se traslada pulsando el interruptor o si se enchufa a la toma de corriente cuando está encendida.
- d) **Retirar las herramientas de ajuste o la llave antes de encender la herramienta eléctrica.** Una herramienta o llave que se haya olvidado en partes giratorias de la herramienta eléctrica puede producir lesiones.
- e) **Evitar trabajar en una posición corporal anormal. Adoptar una posición segura y mantener en todo momento el equilibrio.** Ello permite controlar mejor la herramienta eléctrica en situaciones inesperadas.
- f) **Llevar ropa adecuada. No llevar ropa holgada ni joyas durante el trabajo. Mantener el cabello y la ropa alejados de las piezas en movimiento.** La ropa holgada, las joyas o el pelo largo pueden ser atrapados por las piezas en movimiento.
- g) **Si se pueden montar dispositivos de aspiración y recogida de polvo, conectarlos y emplearlos correctamente.** La utilización de un aspirador puede reducir los peligros provocados por el polvo.
- h) **No dar siempre por sentada la seguridad ni ignorar las normas de seguridad de las herramientas eléctricas, ni siquiera aunque se haya utilizado la herramienta con tanta frecuencia que uno se sienta familiarizado con ella.** Si no se presta atención en su manejo, en milésimas de segundo se pueden sufrir lesiones graves.
4. **Empleo y tratamiento de la herramienta eléctrica**
- a) **No sobrecargar la herramienta eléctrica. Usar la herramienta eléctrica específica para cada trabajo.** Con la herramienta eléctrica adecuada se trabaja mejor y con más seguridad permaneciendo dentro de la potencia indicada.
- b) **No usar ninguna herramienta eléctrica cuyo interruptor esté defectuoso.** Una herramienta eléctrica que ya no se pueda encender o apagar conlleva peligros y debe repararse.
- c) **Desenchufar el cable de la toma de corriente y/o retirar la batería extraíble antes de realizar ajustes en el aparato, cambiar herramientas insertables o abandonar la herramienta eléctrica.** Esta medida de seguridad evita que la herramienta eléctrica arranque de forma no intencionada.
- d) **Guardar las herramientas eléctricas que no se usen fuera del alcance de los niños. No permitir el uso de la herramienta eléctrica a personas que no estén familiarizadas con ella o no hayan leído estas instrucciones.** Las herramientas eléctricas son peligrosas si las usan personas sin experiencia.
- e) **Tratar las herramientas eléctricas y la herramienta insertable con cuidado. Comprobar que las piezas móviles funcionen de forma correcta y no se bloqueen, controlar también si existen piezas rotas o que estén tan dañadas que pongan en peligro el funcionamiento de la herramienta eléctrica.** Reparar las piezas dañadas antes de usar la herramienta eléctrica. Muchos de los accidentes se deben a que las herramientas eléctricas están mal cuidadas.
- f) **Mantener limpias y afiladas las herramientas de corte.** Las herramientas de corte bien cuidadas con cantos afilados se bloquean con menor frecuencia y pueden manejarse con mayor facilidad.
- g) **Respetar estas instrucciones cuando se desee utilizar la herramienta eléctrica, las herramientas insertables, etc. Para ello, tener en cuenta las condiciones de trabajo y la tarea a ejecutar.** El uso de herramientas eléctricas para otros fines diferentes a los previstos puede originar situaciones peligrosas.
- h) **Mantener las empuñaduras secas, limpias y sin restos de aceite o grasa.** Si las empuñaduras están resbaladizas, no se podrá manejar de forma segura ni controlar la herramienta eléctrica en situaciones imprevisibles.
5. **Servicio**
- a) **La herramienta eléctrica solo podrá ser reparada por electricistas cualificados que utilicen para ello piezas de repuesto originales.** Esta forma de proceder garantiza la seguridad de la herramienta eléctrica.

Manual de advertencias de seguridad para tijeras recortasetos

- **Mantener el cuerpo alejado de la cuchilla de corte. No retirar el material de corte ni sujetar el material a cortar cuando la cuchilla esté en funcionamiento. Retirar el material de corte atascado cuando el aparato esté desconectado.** La falta de atención durante el uso del aparato puede causar lesiones graves.
- **Llevar las tijeras recortasetos sosteniéndolas por la empuñadura, siempre con las cuchillas paradas. Al transportar o guardar la tijeras recortasetos, colocar siempre la cubierta de protección.** Manipular adecuadamente el aparato para reducir el peligro de sufrir lesiones causadas por la cuchilla.
- **Sujetar el aparato por las empuñaduras aisladas puesto que la cuchilla de corte puede entrar en contacto con cables eléctricos ocultos o el cable de conexión propio.** El contacto de la cuchilla de corte con un cable de corriente puede electrificar las piezas metálicas del aparato o provocar una descarga eléctrica.
- **Mantener el cable alejado de la zona de corte.** Durante el trabajo, los arbustos pueden tapar el cable y provocar que se corte accidentalmente.

Instrucciones de seguridad

Le rogamos lea y siga atentamente el manual y las instrucciones de seguridad.

1. Es preciso retirar el enchufe antes de llevar a cabo cualquier trabajo en las tijeras recortasetos como, por ejemplo, en caso de
 - deterioro del cable
 - limpieza de cuchillas
 - revisión en caso de avería
 - limpieza y mantenimiento
 - dejarla en un lugar donde no pueda controlarla
2. ¡La máquina puede provocar lesiones serias! Lea atentamente el manual de instrucciones para una correcta manipulación, preparación, reparación, arranque y parada de la máquina, familiarícese con todos las piezas de ajuste y el uso adecuado de la máquina.
3. Solo se manejarán las tijeras recortasetos sujetándolas con ambas manos.
4. Mantenga una posición segura al trabajar con las tijeras recortasetos y utilice calzado resistente.
5. No pade bajo la lluvia o en setos húmedos y no deje el aparato al aire libre. El aparato no podrá emplearse mientras esté húmedo.
6. Se aconseja utilizar gafas protectoras, así como protección para el oído cuando se puede.
7. Póngase ropa de trabajo adecuada como, por ejemplo, guantes, calzado antideslizante y evite la ropa holgada. Si tiene el cabello largo, recójase con una reddecilla.
8. Evite trabajar en una postura inadecuada, asegurándose de mantener una posición estable, sobre todo, cuando se utilicen escaleras y escalones.
9. Mantener una distancia prudencial de la herramienta con respecto al cuerpo cuando se trabaje. No retirar el material de corte ni sujetar el material a cortar cuando la cuchilla esté en funcionamiento. Retirar el material de corte atascado cuando el aparato esté desconectado. La falta de atención durante el uso del aparato puede causar lesiones graves.
10. Asegúrese de que no se encuentren personas ni animales en la zona de trabajo ni en el radio de alcance.
11. Sujete siempre las tijeras recortasetos por la empuñadura guía.
12. Mantener el cable alejado de la zona de corte en todo momento. Durante el trabajo, los arbustos pueden tapar el cable y provocar que se corte accidentalmente.
13. Antes de su uso, es preciso comprobar que el cable conector no presente signos de envejecimiento o deterioro.
14. Solo se utilizarán las tijeras recortasetos si el cable conector se encuentra en perfecto estado.
15. No tire del cable para desenchufar el aparato. No sostenga el aparato por el cable. Evite por todos los medios cualquier posible deterioro del cable.
16. Proteja el cable del calor, sustancias corrosivas y cantos vivos. Cambie inmediatamente el cable deteriorado.
17. Se ha de comprobar regularmente que el dispositivo de corte no presente daños y, en caso de que sea necesario, lleve a reparar la herramienta a un taller especializado o a un servicio de asistencia técnica ISC.
18. Si se bloquea el dispositivo de corte, por ej., debido a ramas gruesas, etc., las tijeras recortasetos han de ser puestas inmediatamente fuera de servicio y se han de desenchufar para poder eliminar la causa por la que

- se produjo el bloqueo.
19. Mantenga el aparato en lugar seco y seguro, así como fuera del alcance de los niños.
 20. Siempre que se transporte y guarde el dispositivo de corte, éste se ha de cubrir con la protección correspondiente.
 21. Evite una sobrecarga de la herramienta y el uso inadecuado de la misma, es decir, las tijeras recortasetos sólo se utilizarán para recortar setos, matorrales y plantas.
 22. Utilice únicamente cables y conectores homologados para el uso al aire libre;
 - Para reducir el riesgo de descarga eléctrica, utilice únicamente un cable prolongador para uso en exteriores, como los del tipo SW-A, SOW-A, STW-A, STOW-A, SJW-A, SJOW-A, SJTW-A o SJTOW-A.
 - Se recomienda la utilización de un dispositivo protector de corriente de fuga o un interruptor de corriente de defecto para manejar herramientas eléctricas. ¡No dude en consultar a un electricista profesional!
 23. Las tijeras recortasetos han de ser sometidas periódicamente a revisión y mantenimiento. Las cuchillas deterioradas se han de sustituir siempre de dos en dos. Si el aparato sufre deterioros por caída o golpe, es indispensable que sea revisado por un profesional.
 24. Lleve a cabo un cuidado y mantenimiento adecuado de la herramienta. Mantenga la herramienta afilada y limpia para poder trabajar de forma correcta y segura. Observe y siga las instrucciones para el mantenimiento y cuidado de la herramienta.
 25. Según las disposiciones de las mutuas pertinentes en materia de previsión contra accidentes, sólo las personas mayores de 17 años están autorizadas a utilizar tijeras recortasetos eléctricas. Las personas mayores de 16 años están autorizadas a utilizarlas bajo la supervisión de adultos.
 26. No utilice la máquina con un dispositivo de corte deteriorado o excesivamente gastado.
 27. Familiarícese con el entorno y tenga en cuenta los posibles peligros que quizás no oiga debido al ruido que emite la máquina.
 28. Está terminantemente prohibido utilizar una máquina incompleta o con cambios no autorizados.
 29. Es preciso evitar el uso de las tijeras recortasetos cuando se encuentren personas y, en particular, niños en las inmediaciones.
 30. Los niños no deben utilizar las tijeras recortasetos.
 31. El ruido en la zona de trabajo puede sobrepasar los 85 dB (A). En este caso, se deben tomar medidas de protección contra el ruido para el operario.
 32. Antes de utilizar las tijeras recortasetos, asegurarse de haber montado todas las empuñaduras y dispositivos de protección.
 33. Antes de empezar a trabajar, inspeccionar que el seto esté libre de alambres u otros objetos extraños.
 34. Este aparato no ha sido concebido para ser utilizado por personas (incluyendo niños) cuyas capacidades estén limitadas física, sensorial o psíquicamente, o que no dispongan de la experiencia y/o los conocimientos necesarios. Las personas aptas deberán recibir formación o instrucciones necesarias sobre el funcionamiento del aparato por parte de una persona responsable para su seguridad. Vigilar a los niños para asegurarse de que no jueguen con el aparato.
 35. Se recomienda conectar el aparato solo a una alimentación de corriente que esté protegida con un dispositivo de protección de corriente por defecto (RCD) con una corriente de liberación máx. de 30 mA.
 36. **No utilice la podadora de arbustos en malas condiciones del clima, particularmente cuando exista el riesgo de relámpagos.** Esto disminuye el riesgo de que sea golpeado por un rayo.
- Este aparato no ha sido concebido para ser utilizado por personas (incluyendo niños) cuyas capacidades estén limitadas física, sensorial o psíquicamente, o que no dispongan de la experiencia y/o los conocimientos necesarios. Vigilar a los niños para asegurarse de que no jueguen con el aparato.

GUARDE ESTAS INSTRUCCIONES

Explicación de la placa de advertencia del aparato (véase fig. 9)

1. Aviso!
2. Proteger de la humedad y la lluvia.
3. AVISO - ¡Leer el manual de instrucciones para reducir cualquier riesgo de sufrir daños!
4. Retirar inmediatamente el enchufe de la red si el cable se encuentra dañado o cortado.
5. Llevar protección para la vista y para los oídos.
6. PELIGRO — Mantenga las manos alejadas de la hoja.

2. Descripción del aparato y volumen de entrega

2.1 Descripción del aparato (fig. 1)

1. Cuchilla
2. Protector de manos
3. Empuñadura guía con interruptor
4. Empuñadura con interruptor
5. Descarga de tracción del cable
6. Cable de red
7. Protección de la cuchilla
8. Protección contra impactos

2.2 Volumen de entrega

Sirviéndose de la descripción del volumen de entrega, comprobar que el artículo esté completo. Si faltase alguna pieza, dirigirse a nuestro Service Center o a la tienda especializada más cercana en un plazo máximo de 5 días laborales tras la compra del artículo presentando un recibo de compra válido.

- Abrir el embalaje y extraer cuidadosamente el aparato.
- Retirar el material de embalaje, así como los dispositivos de seguridad del embalaje y para el transporte (si existen).
- Comprobar que el volumen de entrega esté completo.
- Comprobar que el aparato y los accesorios no presenten daños ocasionados durante el transporte.
- Si es posible, almacenar el embalaje hasta que transcurra el periodo de garantía.

Peligro!

¡El aparato y el material de embalaje no son un juguete! ¡No permitir que los niños jueguen con bolsas de plástico, láminas y piezas pequeñas! ¡Riesgo de ingestión y asfixia!

- Tijeras recortasetos eléctricas
- Protección de la cuchilla
- Manual de instrucción original con instrucción de seguridad

3. Uso adecuado

Atención! Las tijeras recortasetos han sido diseñadas para la poda de setos, arbustos y matorrales.

Utilizar la máquina sólo en los casos que se indican explícitamente como de uso adecuado. Cualquier otro uso no será adecuado. En caso de uso inadecuado, el fabricante no se hace responsable de daños o lesiones de cualquier tipo; el responsable es el usuario u operario de la máquina.

Tener en consideración que nuestro aparato no está indicado para un uso comercial, industrial o en taller. No asumiremos ningún tipo de garantía cuando se utilice el aparato en zonas industriales, comerciales o talleres, así como actividades similares.

4. Características técnicas

Tensión de red: 120V ~ 60 Hz
 Potencia/amperaje: 420 W (3.5 A)
 Velocidad sin carga: 1600 RPM (min⁻¹)
 Velocidad de corte: 3200 CPM
 Longitud de juego de cuchillas: 22" (56 cm)
 Distancia entre dientes: 5/8" (16 mm)
 Diámetro de corte máximo: 0.47" (12 mm)
 Peso (solo herramienta): 5.5 lb (2.5 kg)

Usar protección para los oídos.

La exposición al ruido puede ser perjudicial para el oído.

¡Reducir la emisión de ruido y las vibraciones al mínimo!

- Emplear sólo aparatos en perfecto estado.
- Realizar el mantenimiento del aparato y limpiarlo con regularidad.
- Adaptar el modo de trabajo al aparato.
- No sobrecargar el aparato.
- En caso necesario dejar que se compruebe el aparato.
- Apagar el aparato cuando no se esté utilizando.
- Llevar guantes.

Cuidado!**Riesgos residuales**

Incluso si esta herramienta se utiliza adecuadamente, siempre existen riesgos residuales. En función de la estructura y del diseño de esta herramienta eléctrica pueden producirse los siguientes riesgos:

1. Lesiones auditivas en caso de que no se utilice una protección para los oídos adecuada.
2. Daños a la salud derivados de las vibraciones de las manos y los brazos si el aparato se utiliza durante un largo periodo de tiempo, no se sujeta del modo correcto o si no se realiza un mantenimiento adecuado.

5. Antes de la puesta en marcha

Antes de conectar la máquina, asegurarse de que los datos de la placa de identificación coincidan con los datos de la red eléctrica.

Aviso!

Desenchufar el aparato antes de realizar ajustes.

Freno eléctrico

Por motivos de seguridad, el aparato está equipado con un sistema de frenado eléctrico que detiene la cuchilla de corte lo más rápido posible al desconectar el aparato. Por este motivo, en la desconexión pueden formarse chispas u olores. ¡Esto no influye en la capacidad o seguridad de funcionamiento del aparato! Evitar desconectar y conectar el aparato con demasiada frecuencia si no es necesario.

6. Manejo

Las tijeras recortasetos están provistas de un interruptor de seguridad bimanual. Sólo funciona si se aprieta con una mano el interruptor de la empuñadura guía (fig. 2/pos. 3) y al mismo tiempo, con la otra, el interruptor de la empuñadura (fig. 2/pos. 4). Si se suelta uno de los elementos de conexión, las cuchillas de corte se detienen.

Tener en cuenta la marcha en inercia de las cuchillas de corte.

- Es preciso comprobar que las cuchillas de corte funcionan. Las cuchillas de corte bilateral marchan contrapuestas, garantizando una elevada potencia de corte y un funcionamiento silencioso.

- Antes de la utilización, es preciso fijar la alargadera en la descarga de tracción del cable (véase fig. 2)
- Para el uso al aire libre se han de utilizar las alargaderas homologadas a tal efecto.

Instrucciones relativas al trabajo

- Además de para setos, también se pueden emplear las tijeras para recortar matorrales y arbustos.
- Para alcanzar una óptima potencia de corte, las tijeras recortasetos se han de utilizar de forma que los dientes de las cuchillas se orienten con un ángulo aprox. de 15° respecto del seto (véase fig. 3).
- Las cuchillas contrapuestas de corte bilateral permiten cortar en ambas direcciones (véase fig. 4).
- Para alcanzar una altura uniforme del seto, se recomienda tensar un hilo que sirva de referencia a lo largo del borde del seto. Se cortarán las ramas que sobresalgan (véase fig. 5).
- Los laterales de un seto se recortarán con movimientos en forma de arco desde abajo hacia arriba (véase fig. 6).

7. Cambio del cable de conexión a la red eléctrica**Peligro!**

Cuando el cable de conexión a la red de este aparato esté dañado, deberá ser sustituido por otro cable de conexión que se deberá solicitar al fabricante o a su servicio de asistencia técnica.

8. Mantenimiento y limpieza**Peligro!**

Desenchufar siempre antes de realizar algún trabajo de limpieza.

8.1 Limpieza

- Reducir al máximo posible la suciedad y el polvo en los dispositivos de seguridad, las rendijas de ventilación y la carcasa del motor. Frotar el aparato con un paño limpio o soplarlo con aire comprimido manteniendo la presión baja.
- Se recomienda limpiar el aparato tras cada uso.
- Limpiar el aparato con regularidad con un

pañó húmedo y un poco de jabón blando. No utilizar productos de limpieza o disolventes ya que se podrían deteriorar las piezas de plástico del aparato. Es preciso tener en cuenta que no entre agua en el interior del aparato. Si entra agua en el aparato eléctrico existirá mayor riesgo de una descarga eléctrica.

8.2 Mantenimiento

- Para obtener en todo momento un óptimo rendimiento, limpiar y lubricar las cuchillas con regularidad. Eliminar con un cepillo los restos acumulados y aplicar una fina película de aceite (véase fig. 7).
- No hay que realizar el mantenimiento a más piezas en el interior del aparato.

9. Eliminación y reciclaje

El aparato está protegido por un embalaje para evitar daños producidos por el transporte. Este embalaje es materia prima y, por eso, se puede volver a utilizar o llevar a un punto de reciclaje. El aparato y sus accesorios están compuestos de diversos materiales, como, p. ej., metal y plástico. Los aparatos defectuosos no deben tirarse a la basura doméstica. Para su eliminación adecuada, el aparato debe entregarse a una entidad recolectora prevista para ello. En caso de no conocer ninguna, será preciso informarse en el organismo responsable del municipio.

10. Almacenamiento

Guardar el aparato y sus accesorios en un lugar oscuro, seco, protegido de las heladas e inaccesible para los niños. La temperatura de almacenamiento óptima se encuentra entre los 41°F y 86°F (5 y 30 °C). Guardar la herramienta eléctrica en su embalaje original.

Sólo está permitido copiar la documentación y documentos anexos del producto, o extractos de los mismos, con autorización expresa de Einhell Germany AG.

Nos reservamos el derecho a realizar modificaciones técnicas





www.Einhell.com

EH 12/2022 (01)