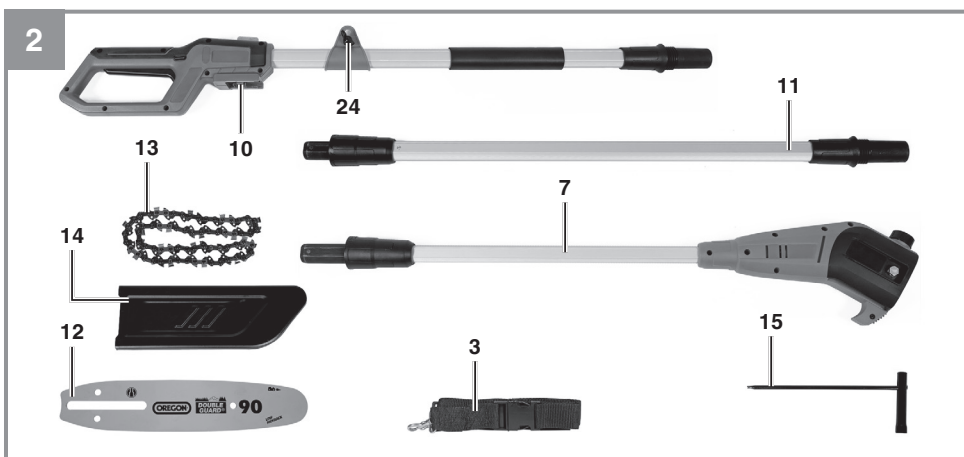
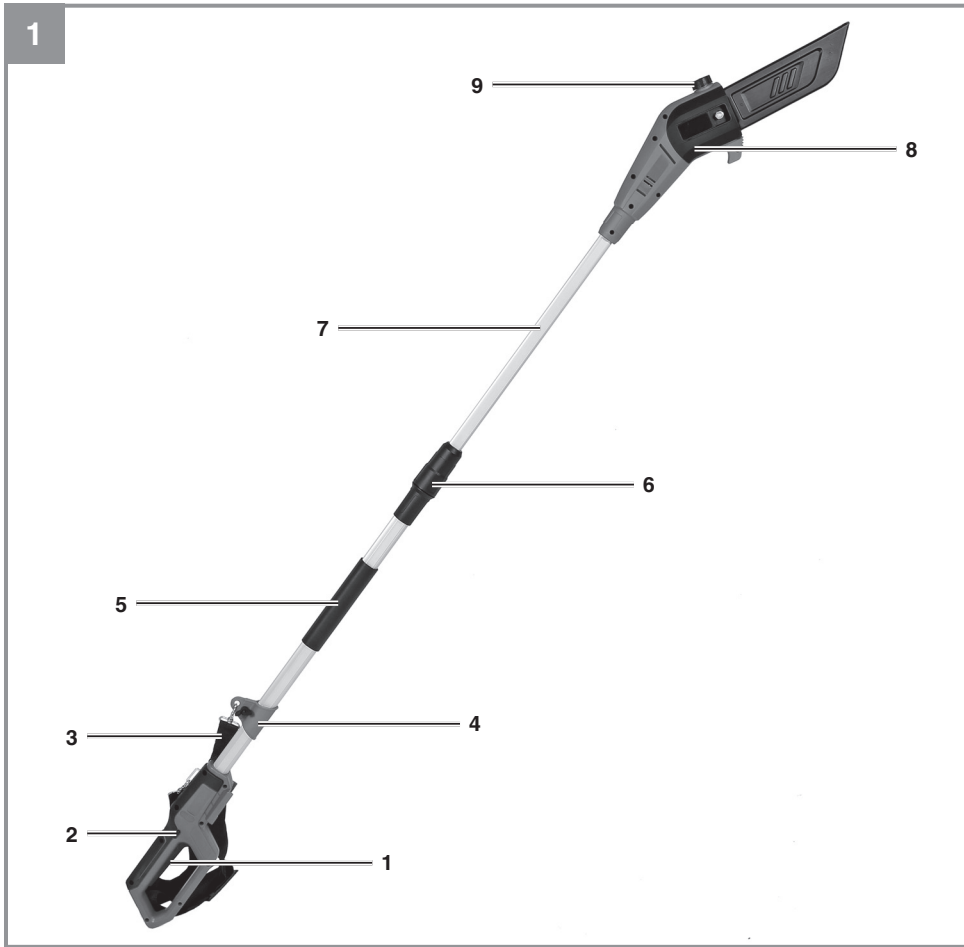


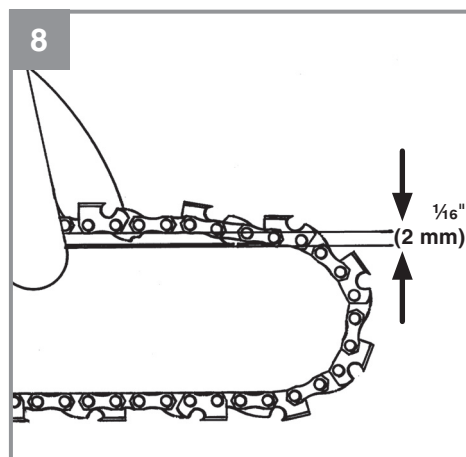
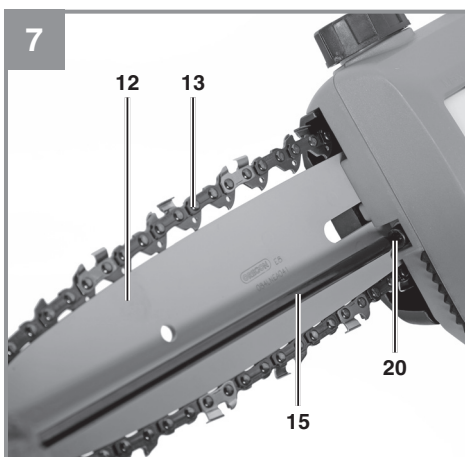
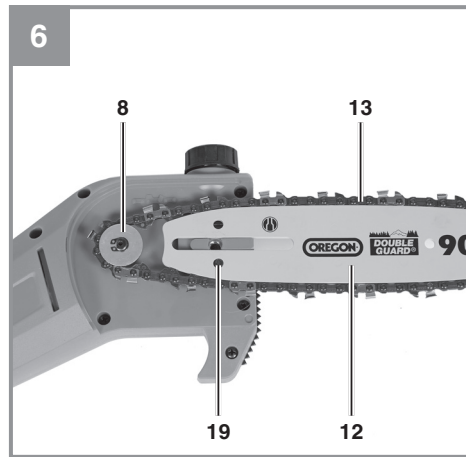
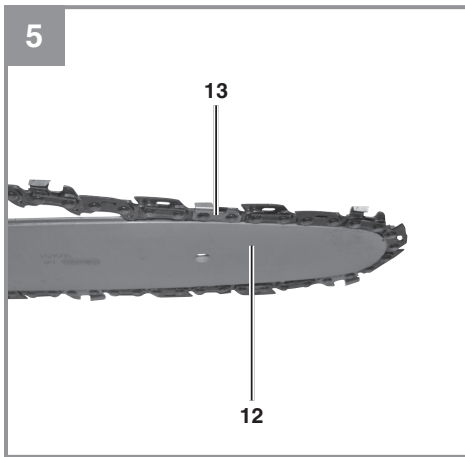
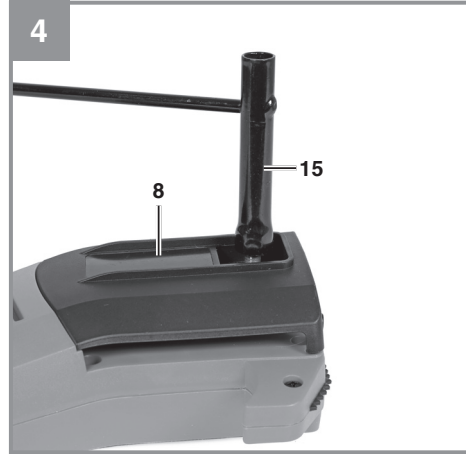
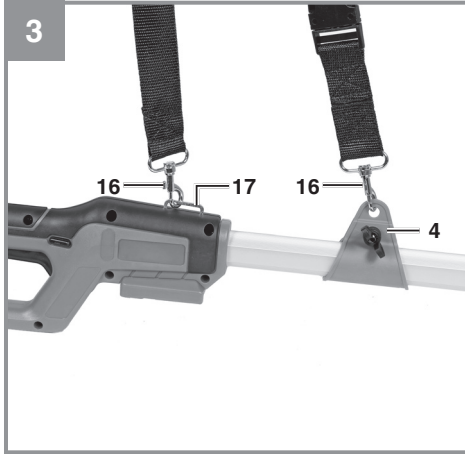
- EN** Operating instructions
Cordless Pole Chain Saw
- FR** Mode d'emploi
Scie à chaîne à perche
- SP** Manual de instrucciones
Motosierra inalámbrica de altura

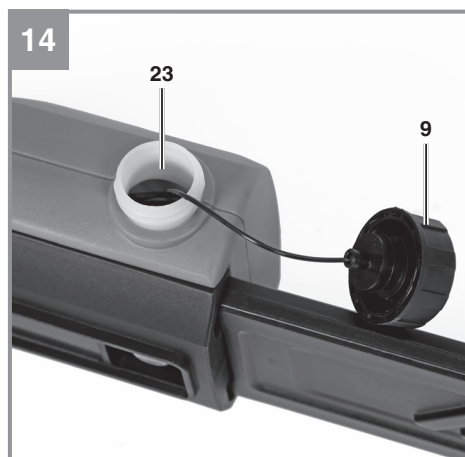
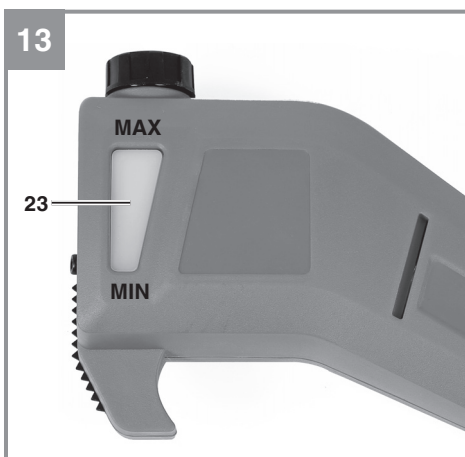
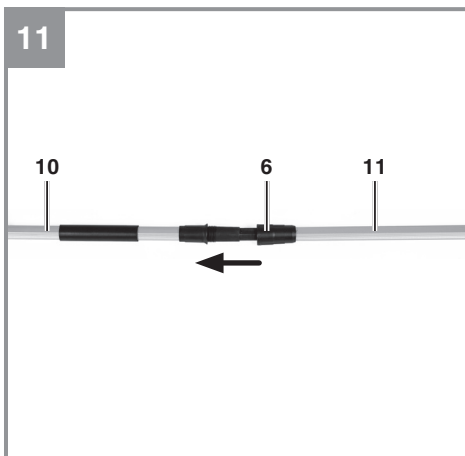
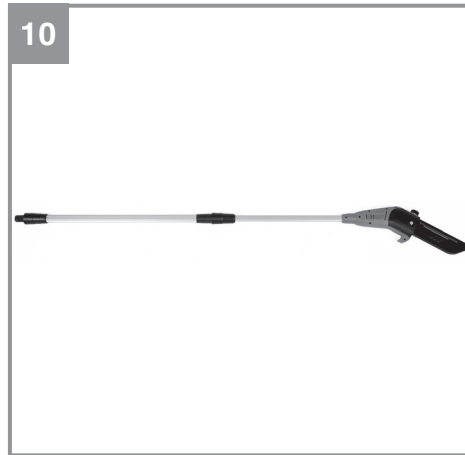
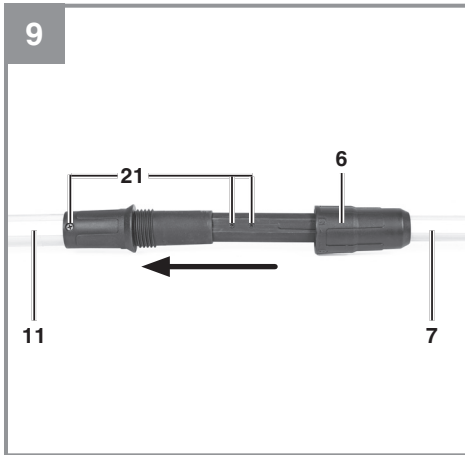


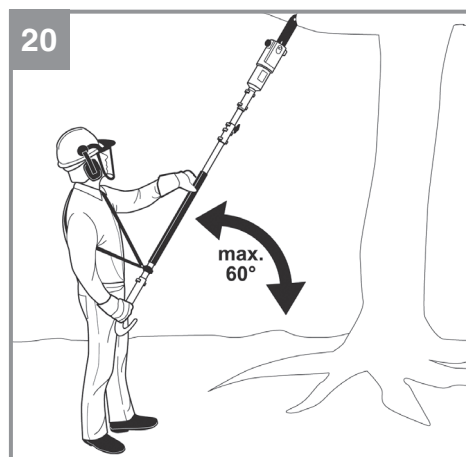
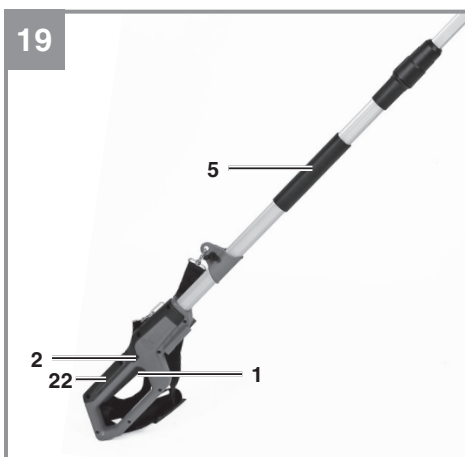
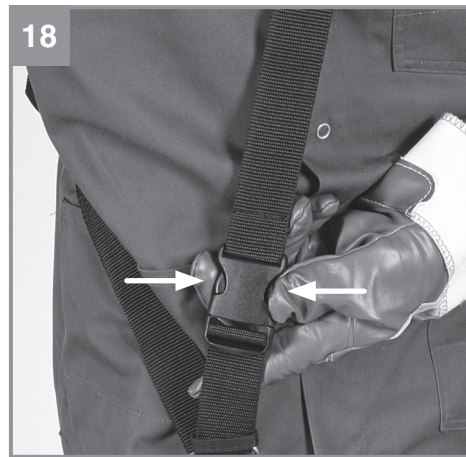
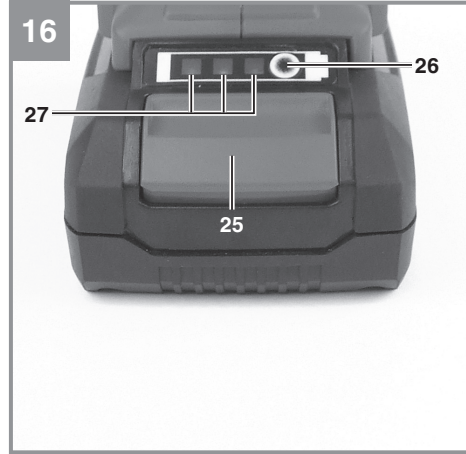
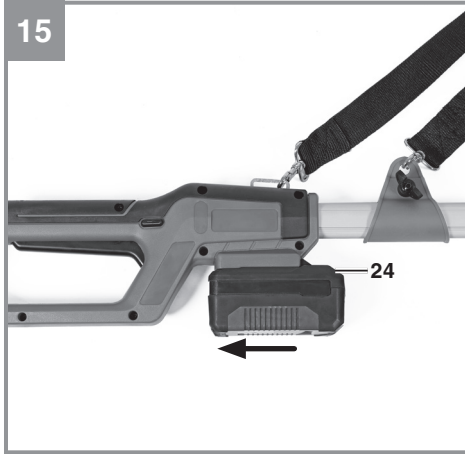
Art.-Nr.: 3410583

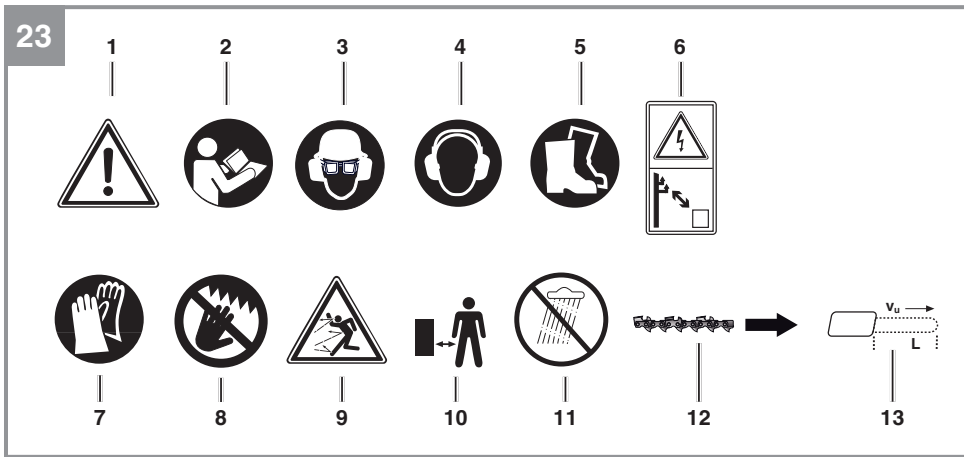
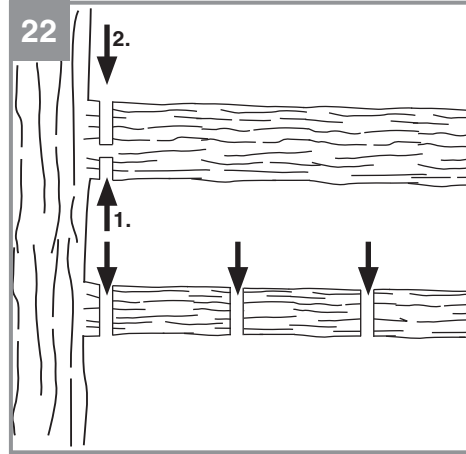
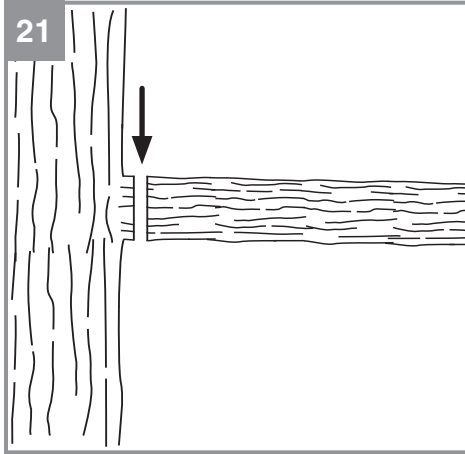
I.-Nr.: 21012













Danger! - Read the operating instructions to reduce the risk of injury.

This tool is not intended to be used by children, persons with reduced physical, sensory or mental capacities or with a lack of experience and knowledge, or persons who are not familiar with the instructions. Children must always be supervised in order to ensure that they do not play with the tool. Children are not allowed to carry out cleaning or maintenance.

DANGER!

When using the equipment, a number of safety precautions must be observed to avoid injuries and damage. Please read the complete operating instructions and safety information with due care. Keep these operating instructions in a safe place so that the information is available at all times. If you give the equipment to any other person, hand over these operating instructions and the safety information as well. We cannot accept any liability for damage or accidents which arise due to failure to follow these instructions and the safety information.

1. Safety information

Read All Instructions

WARNING: When using electric gardening appliances, basic safety precautions should always be followed to reduce the risk of fire, electric shock, and personal injury, including the following:

FOR ALL APPLIANCES

- Avoid dangerous environments - do not use appliances in damp or wet locations.
- Don't use in rain.
- Keep children away - all people and pets should be kept at a distance from the work area.
- Dress properly - do not wear loose clothing or jewelry. They can be caught in moving parts. Wear protective clothing; use of work gloves, long pants, a long sleeved shirt and safety footwear is recommended when working outdoors. Wear protective hair covering to contain long hair.
- Use safety glasses - always use face or dust mask if the area in which you are working is dusty. The purpose of the safety rules is to attract your attention to possible dangers. The safety symbols and the explanations with them, require your careful attention and understanding. The safety warnings do not by themselves eliminate any danger. The instruction or warnings they give are not substitutes for proper accident prevention measures.
- Use right appliance - do not use appliance for any job except that for which it is intended.
- Do not force appliance - it will do the job better and with less likelihood of a risk of injury at the rate for which it was designed.
- Do not overreach - keep proper footing and balance at all times.
- Stay alert. Use common sense. Do not operate appliance when you are tired or under the influence of drugs, alcohol or medication.
- When not in use, appliances should be stored indoors in dry places out of reach of children.
- Maintain appliance with care. Follow instructions for lubricating and changing accessories. Keep handles dry, clean, and free from oil and grease.
- Check damaged parts. Before using the appliance, make sure the safety guards are intact. Never use a tool without its safety guard. Check the alignment of the moving parts, the binding of the moving parts.
- Check for broken or defective parts that can affect the safe operation of your tool. A guard or other part that is damaged should be properly repaired or replaced by an authorized service centre unless indicated elsewhere in this manual.
- Recharge only with the charger specified by the manufacturer. A charger that is suitable for one type of battery pack may create a risk of fire when used with another battery pack.
- Use appliances only with specifically designated battery packs. Use of any other battery packs may create a risk of injury and fire.
- When battery pack is not in use, keep it away from other metal objects, like paper clips, coins, keys, nails, screws or other small metal objects, that can make a connection from one terminal to another. Shorting the battery terminals together may cause burns or a fire.
- Under abusive conditions, liquid may be ejected from the battery; avoid contact. If contact accidentally occurs, flush with water. If liquid contacts eyes, additionally seek medical help. Liquid ejected from the battery may cause irritation or burns. (This advice is considered correct for conventional NiMh, NiCd, lead acid and Lithium-ion cell types. If this advice is incorrect for a cell design that differs from these, then the correct advice may be substituted.)
- Do not use a battery pack or appliance that is damaged or modified. Damaged or modified batteries may exhibit unpredictable behavior resulting in fire, explosion or risk of injury.
- Do not expose a battery pack or appliance to fire or excessive temperature. Exposure to fire or temperature above 266°F (130°C) may

- cause explosion.
- Follow all charging instructions and do not charge the battery pack or appliance outside of the temperature range specified in the instructions. Charging improperly or at temperatures outside of the specified range may damage the battery and increase the risk of fire.
- Have servicing performed by a qualified repair person using only identical replacement parts. This will ensure that the safety of the product is maintained.
- Do not modify or attempt to repair the appliance or the battery pack (as applicable) except as indicated in the instructions for use and care.

1.) FOR ALL BATTERY-OPERATED APPLIANCES:

- Do not charge appliance in rain, or in wet locations.
- Do not use battery-operated appliances in the rain. Always remove or disconnect battery pack before adjusting, cleaning, servicing or transporting the garden appliances.

2.) FOR ALL BATTERY-OPERATED PRODUCTS EMPLOYING A DETACHABLE OR SEPARABLE BATTERY:

- Use only the following type and size battery:
 - 18V 1.5Ah PXC Lithium-ion battery
 - 18V 2.0Ah PXC Lithium-ion battery
 - 18V 2.5Ah PXC Lithium-ion battery
 - 18V 3.0Ah PXC Lithium-ion battery
 - 18V 4.0Ah PXC Lithium-ion battery
 - 18V 3.0Ah PXC Plus Lithium-ion battery
 - 18V 4.0Ah PXC Plus Lithium-ion battery
 - 18V 5.2Ah PXC Plus Lithium-ion battery
 - 18V 4.0Ah/6.0Ah PXC Plus Lithium-ion battery
 - 18V 5.0Ah/8.0Ah PXC Plus Lithium-ion battery
- Do not dispose of the battery in a fire. The cell may explode. Check with local codes for possible special disposal instructions.
- Do not open or mutilate the battery. Released electrolyte is corrosive and may cause damage to the eyes or skin. It may be toxic if swallowed.
- Exercise care in handling the battery in order not to short it with conducting materials such as rings, bracelets, and keys. The battery or conductor may overheat and cause burns.

3.) AVOID UNINTENTIONAL STARTING – DO NOT INSERT BATTERY WHILE YOUR FINGER IS ON THE SWITCH. BE SURE SWITCH IS OFF WHEN INSERTING THE BATTERY.

GENERAL SAFETY WARNINGS FOR THE BATTERY PACK

- Dispose of used battery promptly and properly. When disposing of secondary cells or batteries, keep cells or batteries of different electrochemical systems separate from each other.
- Keep battery out of reach of children and in original package until ready to use.
- Never put batteries in one's mouth. If swallowed, contact local poison control centre immediately.
- CAUTION – The battery used in this device may present a risk of fire or chemical burn if mishandled. Replace battery with Einhell/lawn master brand only. Use of another battery may present a risk of fire or explosion.
- WARNING: Do not use a visibly damaged battery pack or appliance.
- WARNING: Do not modify or attempt to repair the appliance or the battery pack.
- BATTERIES MUST BE RECYCLED.**
- Do not short-circuit a cell or battery. Do not store cells or batteries haphazardly in a box or drawer where they may short-circuit each other or be short-circuited by conductive materials.
- Do not subject cells or batteries to mechanical shocks.
- Keep cells and batteries clean and dry. Wipe the cell or battery terminals with a clean dry cloth if they become dirty.
- Do not maintain secondary cells and batteries on charge when not in use.
- Retain the original cell and battery. Do not use any charger other than that specifically provided for use with the equipment. Secondary cells and batteries need to be charged before use. Always use the correct charger and refer to the manufacturer's instructions or equipment manual for proper charging instructions.
- When possible, remove the battery from the equipment when not in use.
- Prevent unintentional starting. Ensure the switch is in the off-position before connecting to the battery pack, picking up or carrying the appliance. Carrying the appliance with your finger on the switch or energizing appliances

- that have the switch on invites accidents.
- Disconnect the battery pack from the appliance before making any adjustments, changing accessories, or storing appliance. Such preventive safety measures reduce the risk of starting the appliance accidentally.
- Under abusive conditions, liquid may be ejected from the battery; avoid contact. If contact accidentally occurs, flush with water. If liquid contacts eyes, additionally seek medical help. Liquid ejected from the battery may cause irritation or burns.
- Have servicing performed by a qualified repair person using only identical replacement parts. This will ensure that the safety of the product is maintained.
- **Protect your rechargeable battery against moisture, rain and high humidity.** Moisture, rain and high humidity can cause dangerous cell damage. Never charge or work with batteries which have been exposed to moisture, rain or high humidity – replace them immediately.
- If your equipment is fitted with a detachable battery, remove the battery for safety reasons after you have finished your work.

IMPORTANT SAFETY INSTRUCTIONS FOR CHARGER

WARNING: This product may contain lead, phthalate or other chemicals known to the State of California to cause cancer, birth defects and other reproductive harm. Please wash your hands after use.

DANGER!

Read all the safety information and instructions. Failure to adhere to the safety information and instructions set out below may result in electric shock, fire and/or serious injury. **Keep all the safety information and instructions in a safe place for future use.**

General safety information for power tools

The term "power tool" used in the safety regulations refers to power tools operated from the mains power supply (with a power cable) and to battery operated power tools (without a power cable).

1) Work area safety

- a) **Keep work area clean and well lit.** *Cluttered and dark areas invite accidents.*
- b) **Do not operate power tools in explosive atmospheres, such as in the presence of**

flammable liquids, gases or dust. *Power tools create sparks which may ignite the dust or fumes.*

- c) **Keep children and bystanders away while operating a power tool.** *Distractions can cause you to lose control.*

2) Electrical safety

- a) **Power tool plugs must match the outlet. Never modify the plug in any way. Do not use any adapter plugs with earthed (grounded) power tools.** *Unmodified plugs and matching outlets will reduce risk of electric shock.*
- b) **Avoid body contact with earthed or grounded surfaces such as pipes, radiators, ranges and refrigerators.** *There is an increased risk of electric shock if your body is earthed or grounded.*
- c) **Do not expose power tools to rain or wet conditions.** *Water entering a power tool will increase the risk of electric shock.*
- d) **Do not abuse the cord. Never use the cord for carrying, pulling or unplugging the power tool. Keep cord away from heat, oil, sharp edges or moving parts.** *Damaged or entangled cords increase the risk of electric shock.*
- e) **When operating a power tool outdoors, use an extension cord suitable for outdoor use.** *Use of a cord suitable for outdoor use reduces the risk of electric shock.*
- f) **If operating a power tool in a damp location is unavoidable, use a ground fault circuit interruptor (GFCI) protected supply.** *Use of an GFCI reduces the risk of electric shock.*

3) Personal safety

- a) **Stay alert, watch what you are doing and use common sense when operating a power tool. Do not use a power tool while you are tired or under the influence of drugs, alcohol or medication.** *A moment of inattention while operating power tools may result in serious personal injury.*
- b) **Use personal protective equipment. Always wear eye protection.** *Protective equipment such as dust mask, non-skid safety shoes, hard hat, or hearing protection used for appropriate conditions will reduce personal injuries.*

- c) **Prevent unintentional starting. Ensure the switch is in the Off-position before connecting to power source and/or BATTERY pack, picking up or carrying the tool.** *Carrying power tools with your finger on the switch or energizing power tools that have the switch on invites accidents.*
 - d) **Remove any adjusting key or wrench before turning the power tool on. A wrench or a key left attached to a rotating part of the power tool may result in personal injury.**
 - e) **Do not overreach. Keep proper footing and balance at all times.** *This enables better control of the power tool in unexpected situations.*
 - f) **Dress properly. Do not wear loose clothing or jewellery. Keep your hair, clothing and gloves away from moving parts.** *Loose clothes, jewelery or long hair can be caught in moving parts.*
 - g) **If devices are provided for the connection of dust extraction and collection facilities, ensure these are connected and properly used.** *Use of these devices can reduce dust related hazards.*
 - h) **Do not let familiarity gained from frequent use of tools allow you to become complacent and ignore tool safety principles.** *A careless action can cause severe injury within a fraction of a second.*
- 4) Power tool use and care**
- a) **Do not force the power tool. Use the correct power tool for your application.** *The correct power tool will do the job better and safer at the rate for which it was designed.*
 - b) **Do not use the power tool if the switch does not turn it on and off.** *Any power tool that cannot be controlled with the switch is dangerous and must be repaired.*
 - c) **Disconnect the plug from the power source and/or remove the battery pack, if detachable, from the power tool before making any adjustments, changing accessories, or storing power tools.** *Such preventive safety measures reduce the risk of starting the power tool accidentally.*
 - d) **Store idle power tools out of the reach of children and do not allow persons unfamiliar with the power tool or these instructions to operate the power tool.** *Power tools are dangerous in the hands of untrained users.*
- e) **Maintain power tools and accessories. Check for misalignment or binding of moving parts, breakage of parts and any other condition that may affect the power tool's operation. If damaged, have the power tool repaired before use.** *Many accidents are caused by poorly maintained power tools.*
 - f) **Keep cutting tools sharp and clean.** *Properly maintained cutting tools with sharp cutting edges are less likely to bind and are easier to control.*
 - g) **Use the power tool, accessories and tool bits etc., in accordance with these instructions and in the manner intended for the particular type of power tool, taking into account the working conditions and the work to be performed.** *Use of the power tool for operations different from intended could result in a hazardous situation.*
 - h) **Keep handles and grasping surfaces dry, clean and free from oil and grease.** *Slippery handles and grasping surfaces do not allow for safe handling and control of the tool in unexpected situations.*
- 5) Battery tool use and care**
- a) **Recharge only with the charger specified by the manufacturer.** *A charger that is suitable for one type of battery pack may create a risk of fire when used with another battery pack.*
 - b) **Use power tools only with specifically designated battery packs.** *Use of any other battery packs may create a risk of injury and fire.*
 - c) **When battery pack is not in use, keep it away from other metal objects, like paper clips, coins, keys, nails, screws or other small metal objects that can make a connection from one terminal to another.** *Shorting the battery terminals together may cause burns or a fire.*
 - d) **Under abusive conditions, liquid may be ejected from the battery; avoid contact. If contact accidentally occurs, flush with water. If liquid contacts eyes, additionally seek medical help.** *Liquid ejected from the battery may cause irritation or burns.*
 - e) **Do not use a BATTERY pack or tool that is damaged or modified.** *Damaged or modified batteries may exhibit unpredictable behavior resulting in fire, EXPLOSION or risk of injury.*

- f) **Do not expose a BATTERY pack or tool to fire or excessive temperature.** *Exposure to fire or temperature above 266°F (130°C) may cause explosion.*
- g) **Follow all charging instructions and do not charge the BATTERY pack or tool outside the temperature range specified in the instructions.** *Charging improperly or at temperatures outside the specified range may damage the BATTERY and increase the risk of fire.*
- 6) Service**
- a) **Have your power tool serviced by a qualified repair person using only identical replacement parts.** *This will ensure that the safety of the power tool is maintained.*
- b) **Never service damaged BATTERY packs.** *Service of BATTERY packs should only be performed by the manufacturer or authorized service providers.*
- Additional safety instructions**
- We pay a great deal of attention to the design of every battery pack to ensure that we supply you with batteries which feature maximum power density, durability and safety. The battery cells have a wide range of safety devices. Each individual cell is initially formatted and its electrical characteristic curves are recorded. These data are then used exclusively to be able to assemble the best possible battery packs. **Despite all the safety precautions, caution must always be exercised when handling batteries. The following points must be obeyed at all times to ensure safe use. Safe use can only be guaranteed if undamaged cells are used. Incorrect handling can cause cell damage.**
- Caution!** Analyses confirm that incorrect use and poor care are the main causes of the damage caused by high performance batteries.
- Information about the battery**
1. The battery pack supplied with your cordless tool is not charged. The battery pack has to be charged before you use the tool for the first time.
 2. For optimum battery performance avoid low discharge cycles. Charge the battery pack frequently.
 3. Store the battery pack in a cool place, ideally at 59°F (15°C) and charged to at least 40%.
 4. Lithium-Ion batteries are subject to a natural ageing process. The battery pack must be replaced at the latest when its capacity falls to just 80% of its capacity when new. Weakened cells in an aged battery pack are no longer capable of meeting the high power requirements and therefore pose a safety risk.
 5. Do not throw battery packs into an open fire. There is a risk of explosion!
 6. Do not ignite the battery pack or expose it to fire.
 7. **Do not exhaustively discharge batteries.** Exhaustive discharge will damage the battery cells. The most common cause of deep discharge is lengthy storage or non-use of partly discharged batteries. Stop working as soon as the performance of the battery falls noticeably or the electronic protection system triggers. Place the battery pack in storage only after it has been fully charged.
 8. **Protect batteries and the tool from overloads.** Overloads will quickly result in overheating and cell damage inside the battery housing without this overheating actually being apparent externally.
 9. **Avoid damage and shocks.** Replace batteries which have been dropped from a height of more than one meter or which have been exposed to violent shocks without delay, even if the housing of the battery pack appears to be undamaged. The battery cells inside the battery may have suffered serious damage. In this respect, please also read the waste disposal information.
 10. If the battery pack suffers overloading and overheating, the integrated protective cut-off will switch off the equipment for safety reasons. Caution! Do not press the ON/OFF switch any more if the protective cut-off has actuated. This may damage the battery.
 11. Use only original battery packs. The use of other batteries may result in injuries, explosion and a fire risk.
 12. **Protect your rechargeable battery against moisture, rain and high humidity.** Moisture, rain and high humidity can cause dangerous cell damage. Never charge or work with batteries which have been exposed to moisture, rain or high humidity – replace them immediately.
 13. If your equipment is fitted with a detachable battery, remove the battery for safety reasons after you have finished your work.

Information on chargers and the charging process

1. Please check the data marked on the rating plate of the battery charger. Be sure to connect the battery charger to a power supply with the voltage marked on the rating plate. Never connect it to a different mains voltage.
2. Protect the battery charger and its cable from damage and sharp edges. Have damaged cables repaired without delay by a qualified electrician.
3. Keep the battery charger, batteries and the cordless tool out of children's reach.
4. Do not use damaged battery chargers.
5. Do not use the supplied battery charger to charge other cordless tools.
6. In heavy use the battery pack will become warm. Allow the battery pack to cool to room temperature before commencing with the charging.
7. **Do not over-charge batteries.** Do not exceed the maximum charging times. These charging times apply only to discharged batteries. Frequent insertion of a charged or partly charged battery pack will result in over-charging and cell damage. Do not leave batteries in the charger for more than 48 hours.
8. **Never use or charge batteries if you suspect that the last time they were charged was more than 12 months previously.** There is a high probability that the battery pack has already suffered dangerous damage (exhaustive discharge).
9. Charging batteries at a temperature below 50°F (10°C) will cause chemical damage to the cell and may cause a fire.
10. Do not use batteries which have heated during the charging process, as the battery cells may have suffered dangerous damage.
11. Do not use batteries which have suffered curvature or deformation during the charging process or which show other non-typical symptoms (gassing, hissing, cracking,...)
12. Never fully discharge the battery pack (recommended depth of discharge max. 80%) A complete discharge of the battery pack will lead to premature ageing of the battery cells.
13. Never charge the batteries unsupervised.

Protection from environmental influences

1. Wear suitable work clothes. Wear safety goggles.

2. **Protect your cordless tool and the battery charger from moisture and rain.** Moisture and rain can cause dangerous cell damage.
3. Do not use the cordless tool or the battery charger near vapors and inflammable liquids.
4. Use the battery charger and cordless tools only in dry conditions and an ambient temperature of 50°F to 104°F (10°C to 40°C).
5. Do not keep the battery charger in places where the temperature is liable to reach over 104°F (40°C). In particular, do not leave the battery charger in a car that is parked in the sunshine.
6. **Protect batteries from overheating.** Overloads, over-charging and exposure to direct sunlight will result in overheating and cell damage. Never charge or work with batteries which have been overheated – replace them immediately if possible.
7. **Storage of batteries, battery chargers and cordless tools.** Store the charger and your cordless tool only in dry places with an ambient temperature of 50°F to 104°F (10°C to 40°C). Store the Lithium-Ion rechargeable battery in a cool and dry place at 50°F to 68°F (10°C to 20°C). Protect them from humidity and direct sunlight! Place only fully charged batteries in storage (charged at least 40%).
8. Prevent the Lithium-Ion battery pack from freezing. Battery packs which were stored below 32°F (0°C) for more than 60 minutes must be disposed of.
9. When handling batteries beware of electrostatic charge: Electrostatic discharges cause damage of the electronic protection system and the battery cells. Avoid electrostatic charging and never touch the battery poles.

Battery Caution + Disposal

Disposal

Should your appliance need replacement after extended use, do not dispose of it with the household refuse, but in an environmentally safe way.



Waste produced by electrical machine items should not be handled like normal household rubbish. Please recycle where recycle facilities exist. Check with your local authority or retailer for recycling advice.

Always dispose of your battery pack according to federal, state, provincial and local regulations. Contact a recycling agency in your area for recycling locations.

⚠ CAUTION! Even discharged battery packs contain some energy. Before disposing, use electrical tape to cover the terminals to prevent the battery pack from shorting, which could cause a fire or explosion.

⚠ WARNING! To reduce the risk of injury or explosion, never burn or incinerate a battery pack even if it is damaged, dead, or completely discharged. When burned, toxic fumes and materials are emitted into the surrounding atmosphere.

1. Batteries vary according to device. Consult your manual for specific information.
2. Install only new batteries of the same type in your product (where applicable).
3. Failure to insert batteries in the correct polarity, as indicated in the battery compartment or manual, may shorten the life of the batteries or cause batteries to leak.
4. Do not mix old and new batteries.
5. Do not mix Alkaline, Standard (Carbon-Zinc), or Rechargeable (Nickel Cadmium, Nickel Metal Hydride, or Lithium-Ion) batteries.
6. Do not dispose of batteries in fire.
7. Batteries should be recycled or disposed of as per state, provincial and local guidelines.

When shipping or disposing of batteries and cordless tools, always ensure that they are packed individually in plastic bags to prevent short circuits and fires.

WARNING – Do not operate near electrical power lines. The unit has not been designed to provide protection from electric shock in the event of contact with overhead electric lines. Consult local regulations for safe distances from overhead electric power lines and ensure that the operating position is safe and secure before operating the saw chain pole pruner

Chain saw safety warnings

- 1) Keep all parts of the body away from the saw chain. Do not remove cut material or hold material to be cut when saw chain is moving. Make sure the switch is off when clearing jammed material. Saw chain continues to move after the switch is turned off. A moment of inattention while operating the pole chain saw may result in serious personal injury.
- 2) Carry the pole chain saw by the handle with the saw chain stopped. When transporting or storing the pole chain saw, always fit the

saw chain guard. Proper handling of the pole chain saw will reduce possible personal injury from the saw chain.

- 3) Hold the pole chain saw by insulated gripping surfaces only, because the saw chain may contact hidden wiring. A saw chain contacting a "live" wire may make exposed metal parts of the pole chain saw "live" and could give the operator an electric shock.
- 4) Do not use the pole chain saw in bad weather conditions, especially when there is a risk of lightning. This decreases the risk of being struck by lightning.
- 5) To reduce the risk of electrocution, never use near any electrical power lines. Contact with or use near power lines may cause serious injury or electric shock resulting in death.
- 6) Always use two hands when operating the pole chain saw. Hold the pole chain saw with both hands to avoid loss of control.
- 7) Always use head protection when operating the pole chain saw overhead. Falling debris can result in serious personal injury.

This equipment is not intended to be used by persons (including children) with reduced physical, sensory or mental capacities or those with a lack of experience and/or knowledge unless they are supervised by a person who is responsible for their safety or they have received instructions from such a person in how to use the equipment safely. Children must always be supervised in order to ensure that they do not play with the equipment.

SAVE THESE INSTRUCTIONS

Explanation of the symbols (Fig. 23):

1. Warning!
2. Read the directions for use before operating the equipment!
3. Wear protective headgear and goggles!
4. Wear protective earmuffs!
5. Wear sturdy, non-slip footwear!
6. Electric shock can cause fatal injury. Keep a distance of at least 33 ft. (10m) from power cables.
7. Wear protective gloves.
8. Keep your hands away from the blade.
9. Watch out for falling and catapulting parts.
10. Keep your distance.
11. Protect the tool from rain and humidity!
12. Direction of chain movement and teeth.
13. Maximum cutting length.

2. Layout and items supplied

2.1 Layout

1. On/Off switch
2. Switch lock
3. Shoulder strap with safety release
4. Shoulder strap holder with wing nut
5. Grip surface
6. Assembly nut
7. Connecting tube
8. Chain wheel cover
9. Oil tank cap
10. Motor unit (unit with tube)
11. Extension pole
12. Chain saw bar
13. Saw chain
14. Chain saw guard
15. Chain saw key
16. Carabiner
17. Shoulder strap holder
18. Sprocket wheel
19. Chain wheel cover bolt
20. Chain tensioning screw
21. Mounting screws
22. Handle
23. Oil tank
24. Wing nut of shoulder strap holder
25. Pushlock button
26. Battery capacity indicator button
27. Battery capacity indicator

2.2 Items supplied

Please check that the article is complete as specified in the scope of delivery. If parts are missing, please contact our service center or the store where you made your purchase at the latest within 5 work days after purchasing the article and upon presentation of a valid bill of purchase.

- Open the packaging and take out the equipment with care.
- Remove the packaging material and any packaging and/or transportation braces (if present).
- Check to see if all the items are supplied.
- Inspect the equipment and accessories for transport damage.
- If possible, keep the packaging until the end of the guarantee period.

Danger!

The equipment and packaging material are not toys. Do not let children play with plastic bags, plastic sheets and small parts. There is a risk of choking and suffocating!

- Motor unit (unit with tube)
- Extension pole
- Shoulder strap with safety release
- Saw chain
- Chain saw bar
- Chain saw guard
- Chain saw key
- Original operating instruction with safety information

3. Intended use


The cordless pole chain saw is designed for cutting off branches from trees. It is not suitable for extensive sawing work, cutting down trees or sawing any materials other than wood.

The equipment is allowed to be used only for its prescribed purpose. Any other use is deemed to be a case of misuse. The user/operator and not the manufacturer will be liable for any damage or injuries of any kind resulting from such misuse.

Please note that our equipment has not been designed for use in commercial, trade or industrial applications. Our warranty will be voided if the equipment is used in commercial, trade or industrial businesses or for equivalent purposes.

Warning! This electric tool generates an electromagnetic field during operation. Under certain circumstances this field might actively or passively impede medical implants. To reduce the risk of serious or fatal injuries, we recommend persons with medical implants to consult their doctor and the manufacturer of the medical implant prior to using the equipment.

4. Technical data

Motor power supply: 18V 
 Bar length: 8" (20 cm)
 Chain pitch: $\frac{3}{8}$ " (9.5 mm), 33 teeth
 Chain thickness: 0.043" (1.1 mm)
 Saw chain: Oregon 90PX033X
 Bar: Oregon 084LNEA041
 Cutting speed
 at rated RPM: 18.04 ft./sec. (5.5 m/s)
 Oil tank capacity: 70 ml (2.36 fl oz)
 Weight (Tool only): 7.38 lbs (3.35 kg)

Separately available accessories

18V 1.5Ah PXC Lithium-Ion battery
 18V 2.0Ah PXC Lithium-Ion battery
 18V 2.5Ah PXC Lithium-Ion battery
 18V 3.0Ah PXC Lithium-Ion battery
 18V 4.0Ah PXC Lithium-Ion battery
 18V 3.0Ah PXC Plus Lithium-Ion battery
 18V 4.0Ah PXC Plus Lithium-Ion battery
 18V 5.2Ah PXC Plus Lithium-Ion battery
 18V 4.0Ah/6.0Ah PXC Plus Lithium-Ion battery
 18V 5.0Ah/8.0Ah PXC Plus Lithium-Ion battery
 18V PXC Dual Port Fast Charger
 18V PXC Fast Charger

Contact your local retailer for more specific models of batteries and charger available in your area. You can also explore battery + charger options at Einhell.com.

Wear ear-muffs.

The impact of noise can cause damage to hearing.

Reduce noise generation and vibration to a minimum!

- Use only equipment that is in perfect condition.
- Maintain and clean the equipment regularly.
- Adapt your way of working to the equipment.
- Do not overload the equipment.
- Have the equipment checked if necessary.
- Switch off the equipment when not in use.
- Wear gloves.

CAUTION!**Residual risks**

Even if you use this electric power tool in accordance with the instructions, certain residual risks cannot be eliminated. The following hazards may arise in connection with the equipment's construction and layout:

1. Lung damage if no suitable protective dust mask is used.
2. Damage to hearing if no suitable ear protection is applied.
3. Health damage caused by hand-arm vibrations if the equipment is used over a longer period or is not properly guided and maintained.

5. Before starting the equipment**Warning!**

Always remove the battery before making adjustments to the tool.

Danger!

Do not fit the battery until the tool has been fully assembled.

When you want to carry out work on the tool itself, always wear protective gloves and use the supplied blade guards to protect yourself against injury.

Before each use you must check that:

- The safety devices and the cutting device are in perfect condition and complete.
- All screws are securely fastened.
- All moving parts move smoothly.

5.1 Installing the shoulder strap (Fig. 3)

Attach the carabiner (Item 16) of the shoulder strap (Item 3) to the holder (Item 4). Use the shoulder strap adjuster to set the optimum length. If necessary you can adjust the position of the holder (Item 4) on the long handle. To do so, loosen the wing nut (Fig. 2 / Item 24) on the holder, move the holder and then re-tighten the wing nut.

5.2 Installing the extension pole on the motor unit (Fig. 9-12)

Note: It is possible to fit all attachments either with or without the extension pole (Fig. 2 / Item 11). This depends on the required working height.

Make sure that the mounting screws (Item 21) are on the same side and insert the extension pole (Item 11) into the tube of the motor unit (Item 10). Screw the two tubes together with the assembly nut (Item 6). The motor unit is now screwed to the extension pole (Fig. 12). To dismantle, proceed in reverse order.

Assembly / adjustments of the pole chain saw

Danger! Do not fit the battery until the pole chain saw has been fully assembled and the chain tension has been set. To protect yourself against injury, always wear protective gloves when working on the pole chain saw. Use the chain saw guard (Fig. 2 / Item 14).

5.3 Installing the chain saw bar and saw chain (Fig. 4-6)

1. Use the pole chain saw key (Item 15) to remove the bolt which secures the chain wheel cover (Item 8).
2. Remove the chain wheel cover.
3. Lay the saw chain (Item 13) in the groove which runs around the chain saw bar (Item 12).
4. Insert the chain saw bar (Item 12) and the saw chain (Item 8) into the mount of the pole chain saw. At the same time guide the saw chain around the sprocket wheel (Item 18) and press the chain saw bar slot over the tabs next to the chain wheel cover bolt hole (Item 19).
5. Reinstall the chain wheel cover and tighten the chain wheel cover bolt, but only hand-tighten.

Note: Do not fully tighten the chain wheel cover bolt until after you have adjusted the chain tension (see section 5.4).

5.4 Tensioning the saw chain (Fig. 7-8)

1. Slightly loosen the chain wheel cover bolt (use the pole chain saw key).
2. Adjust the tension of the saw chain by using the pole chain saw key (Item 15) to turn the chain tensioning screw (Item 20). Turning the screw clockwise increases the chain tension, turning it counterclockwise decreases the chain tension. The saw chain is correctly tensioned if it can be lifted approx. $\frac{1}{16}$ " (2 mm) in the middle of the chain saw bar.
3. Tighten the chain wheel cover bolt (use the pole chain saw key).

Danger! All the chain links must lie properly in the guide groove of the bar.

Notes on tensioning the chain:

The chain must be properly tensioned to ensure safe operation. When the saw chain can be raised by around $\frac{1}{16}$ " (2 mm) in the middle of the chain saw bar, you know that the chain tension is ideal (Fig. 8). During cutting, the temperature of the saw chain rises and its length changes. It is important therefore to check the chain tension at least every 10 minutes and to adjust it again as required. This applies in particular to new saw chains. When you have finished working, loosen the chain again as it will shorten when it cools down. This will help to prevent damage to the chain.

5.5 Saw chain lubrication

Important! (Fig. 14) Never operate the chain if it is not lubricated with saw chain oil! Use of the pole chain saw without saw chain oil or with the oil level below the "min" mark will result in damage to the pole chain saw.

Important! Be aware of the temperature conditions:

Different lubricants with completely different viscosities are required at different ambient temperatures. At lower temperatures you will need low viscosity oils in order to achieve a sufficient lubricating film. However, if the same low viscosity oil is used during the summer it will become even thinner due to the ambient temperatures alone, and as a result the lubricating film could break down, causing the chain to overheat and become damaged. In addition, the chain oil would burn and produce unnecessary pollutants.

Filling the oil tank (Fig. 14)

1. Place the pole chain saw on an even surface.
2. Clean the area around the oil tank cap (Item 9) and remove the cap.
3. Fill the tank (Item 23) with saw chain oil. In the process, make sure that no dirt enters the tank, as this could cause the oil nozzle to become blocked.
4. Reinstall the oil tank cap (Item 9).

5.6 Fitting the battery (Fig. 15)

Push a battery into the battery mount provided. The battery, when pushed in fully, you will hear it click into place. To take out the battery, press the push-lock button (Item 25) and remove the battery.

5.7 Charging the Lithium-Ion battery (not included)

The corresponding instructions can be found in the original operating instructions for your charger.

5.8 Battery capacity indicator (Fig. 16 / item 27)

Press the battery capacity indicator switch (26). The battery capacity indicator (27) shows the charge status of the battery using 3 LEDs.

All 3 LEDs lit:

The battery is fully charged.

2 or 1 LED(s) lit:

The battery has an adequate remaining charge.

1 LED flashing:

The battery is empty, recharge the battery.

All LEDs flashing:

The temperature of the battery is too low. Remove the battery from the device and leave it at room temperature for a day. If the error occurs again, this means that the battery has been completely depth discharged and is defective. Remove the battery from the device. Never use or charge a defective battery.

6. Operation

Please note that the statutory regulations governing noise abatement may differ from one location to another.

6.1 Putting on the shoulder strap (Fig. 17-18)

Important! Always use the shoulder strap when working with the equipment. Always switch off the equipment before you release the shoulder strap. Otherwise there is a risk of injury.

1. Slip the shoulder strap (Item 3) over your shoulder.
2. Adjust the length of the shoulder strap so that the holder is at waist level.
3. The shoulder strap is equipped with a buckle. Press the tabs together if you need to put down the tool quickly.

6.2 Switching On/Off**Switching On (Fig. 19)**

- Hold the tool firmly with one hand on the handle (Item 22) and the other hand on the grip surface (Item 5).
- Press the switch lock (Item 2) and then press the On/ Off switch (Item 1).

Switching Off (Fig. 19)

Release the On/Off switch (Item 1).

7. Usage

Danger! Work only with a fully assembled tool. When you want to carry out work on the tool itself, always wear protective gloves and use the supplied blade guards to protect yourself against injury.

Before each use you must check that:

- The safety devices and the cutting device are in perfect condition and complete.
- All screws are securely fastened.
- All moving parts move smoothly.
- Never use equipment which is obviously damaged.

7.1 Working with the pole chain saw**Preparations**

To ensure that you can work safely, check the following points before every use:

Condition of the pole chain saw

Before you start your work, check the pole chain saw for damage to the housing, the saw chain and the bar. Never use equipment which is obviously damaged.

Oil tank

Check the oil level in the oil tank. Both before and during your work make sure that there is always sufficient oil in the system. To avoid damaging the chain saw, never run the saw if there is no oil in the system or if the oil level drops below the "min" mark. On average, a single filling will last for 15 minutes depending on the number of pauses in cutting and the loads involved.

Saw chain

Check the tension of the saw chain and the condition of the cutting elements. The sharper the saw chain, the easier and more controllable it is to operate the pole chain saw. The same applies to the chain tension. For greater safety you must check the chain tension at least every 10 minutes during your work. New chains in particular tend to expand more.

Safety clothing

Always wear appropriate tight-fitting safety clothing such as special trousers which protect against cuts, protective gloves and safety shoes.

Hearing protection and protective goggles

Wear a protective helmet with integral face and hearing protection. This will offer protection against falling and recoiling branches.

Work safety

- To ensure that you can work in safety you must use the tool at a working angle of max. 60°.
- Never stand under the branch you want to saw.
- Use special caution when working with branches under tension and with splintering wood.
- Possible risk of injury from falling branches and pieces of wood catapulted into the surroundings!
- When the tool is in operation, keep other persons and animals away from the danger zone.
- The tool is not protected from electric shock through contact with high-voltage cables. Keep a minimum distance of 33 ft. (10 m) from live cables. Electric shock can cause fatal injury.
- When working on slopes always stand to the upper or left or right side of the branch you want to cut.
- Hold the tool as close as possible to your body. This will help you to keep your balance.

Cutting techniques

- When removing branches, hold the tool at an angle of max. 60° to the horizontal to avoid being hit by a falling branch (Fig. 20).
- Start with the bottom branches on the tree. This will make it easier for the cut branches to drop.
- After completing a cut, the weight of the saw will abruptly increase for the operator as the saw is no longer supported by the branch. This can result in you losing control over the saw.
- Remove the saw from the cut only with the saw chain still running. This will prevent the saw from getting jammed.
- Never cut with the tip of the saw.
- Never cut into the bulging branch collar. This will prevent the tree from healing.

Sawing off smaller branches (Fig. 21):

Place the contact surface of the saw onto the branch. This will prevent the saw from making jerky movements when you begin a cut. Exerting slight pressure, guide the saw from the top to the

bottom through the branch.

Sawing off large and long branches (Fig. 22):

Carry out a relief cut when working on large branches.

Start by sawing through 1/3 of the branch diameter (section 1) from the bottom to the top with the top side of the bar. Then saw towards the first cut (section 2) from the top to the bottom with the bottom side of the bar. Saw off long branches in several steps to keep control over the impact location.

Kickback

The term "kickback" describes what happens when the running pole chain saw suddenly kicks upward and backward. Usually this is caused by contact between the tip of the bar and the workpiece or by the saw chain becoming trapped. In the event of kickback, large forces occur suddenly and violently. As a result, the pole chain saw usually reacts uncontrollably. This can often result in very serious injuries to the worker or persons in the vicinity. The risk of kickback is at its greatest when the saw is positioned for a cut in the region of the tip of the bar, as the leverage effect is greatest there. It is therefore safest to position the saw as flat as possible.

Warning!

- Make sure that the chain tension is always correctly adjusted.
- Only use pole chain saw that is in perfect working order.
- Only work with a saw chain that has been properly sharpened in accordance with the instructions.
- Never cut with the upper edge or the tip of the bar.
- Always hold the pole chain saw firmly with both hands.

Cutting wood which is under tension

Special care is required when cutting wood which is under tension. Cutting wood which is under tension can release the tension, causing the wood to react out of control. In the worst case this can result in severe and even fatal injuries. This type of work must be performed only by specially trained persons.

8. Cleaning and maintenance

HAZARD!

Always take the battery out of the equipment before starting any cleaning work.

General information on cleaning

- Regularly clean the tensioning mechanism by blowing it out with compressed air or cleaning it with a brush. Do not use any tools for cleaning.
- Keep the handles free of oil so that you can maintain a firm grip.
- Never immerse the equipment in water or other liquids in order to clean it.
- Use a brush to remove deposits from the safety guards.
- Keep all safety devices, air vents and the motor housing free of dirt and dust as far as possible. Wipe the equipment with a clean cloth or blow it down with compressed air at low pressure.
- We recommend cleaning the equipment immediately each time after use.
- Clean the equipment regularly with a damp cloth and some soft soap. Do not use cleaning agents or solvents; these may be aggressive to the plastic parts in the equipment. Ensure that no water can get into the interior of the equipment. The penetration of water into an electric power tool increases the risk of an electric shock.

General information on maintenance

There are no other parts inside the equipment which require maintenance.

To keep the tool in good working order, carry out regular maintenance in accordance with the following instructions. Use only the accessories and spare parts approved by the manufacturer. The use of non-approved accessories or spare parts can result in very serious injuries.

8.1 Maintenance of the pole chain saw

Use only saw chains and bars approved by the manufacturer. These are listed in section 4 "Technical data". The use of spare parts which are not approved by the manufacturer could result in very serious injuries.

Replacing the saw chain and bar

The bar needs to be replaced if the guide groove is worn.

Checking the automatic chain lubrication

You should check the operation of the automatic chain lubrication system on a regular basis in order to guard against overheating and the damage that can cause to the bar and the chain. Point the tip of the bar at a smooth surface (a board or a cut tree face) and allow the pole chain saw to run. If you see a growing oil stain on the smooth surface, the automatic chain lubrication system is working properly. If no clear oil trace is evident then please refer to the corresponding instructions in "Troubleshooting guide"! If the information contained there still fails to remedy the situation, please contact our service department or another similarly qualified workshop.

Danger! Do not actually touch the surface with the tip of the bar when performing this test. Keep a safe distance of approx. 8" (20 cm).

Sharpening the saw chain

Working effectively with the pole chain saw is possible only if the saw chain is in good condition and sharp. This also reduces the risk of kickback. The saw chain can be re-sharpened by any dealer. Do not attempt to sharpen the saw chain yourself unless you have the necessary special tools and experience.

9. Disposal and recycling

The equipment is supplied in packaging to prevent it from being damaged in transit. The raw materials in this packaging can be reused or recycled. The equipment and its accessories are made of various types of material, such as metal and plastic. Never place defective equipment in your household refuse. The equipment should be taken to a suitable collection center for proper disposal. If you do not know the whereabouts of such a collection point, you should ask in your local council offices.

10. Storage and transport

Store the equipment and its accessories out of children's reach in a dark and dry place at above freezing temperature. The ideal storage temperature is between 41°F and 86°F (5°C and 30°C). Keep the electric tool in its original packaging.

The reprinting or reproduction by any other means, in whole or in part, of documentation and papers accompanying the products is strictly subject to the express consent of Einhell Germany AG.

Subject to technical changes.

11. Troubleshooting guide

Danger!

Before troubleshooting, switch off the equipment and remove the battery.

The table below contains a list of fault symptoms and explains what you can do to remedy the problem, if your equipment fails to work properly. If the problem still persists after working through the list, please contact your nearest service center.

Problem	Possible cause	Solution
The tool does not work.	<ul style="list-style-type: none"> - Battery is empty. - Battery is not correctly inserted. 	<ul style="list-style-type: none"> - Charge the battery. - Remove battery and reinsert (see 5.6).
Tool operates intermittently.	<ul style="list-style-type: none"> - Loose connection (external). - Loose connection (internal). - On/Off switch defective. 	<ul style="list-style-type: none"> - Consult a service center. - Consult a service center. - Consult a service center.
Saw chain is dry.	<ul style="list-style-type: none"> - No oil in the tank. - Vent in the oil tank cap is blocked. - Oil nozzle is blocked. 	<ul style="list-style-type: none"> - Top up with oil. - Clean the oil tank cap. - Clear the oil nozzle.
Chain/guide bar is hot.	<ul style="list-style-type: none"> - No oil in the tank. - Vent in the oil tank cap is blocked. - Oil nozzle is blocked. - Chain is blunt. - Chain is overtensioned. 	<ul style="list-style-type: none"> - Top up with oil. - Clean the oil tank cap. - Clear the oil nozzle. - Re-sharpen or replace the chain. - Check the chain tension.
Cordless pole chain saw judders, vibrates or does not saw properly.	<ul style="list-style-type: none"> - Chain is undertensioned. - Chain is blunt. - Chain is worn. - Saw teeth point in the wrong direction. 	<ul style="list-style-type: none"> - Adjust the chain tension. - Re-sharpen or replace the chain. - Replace the chain. - Refit the chain with the teeth facing in the correct direction.



Danger! - Lire le mode d'emploi pour diminuer le risque de blessures.

Cet appareil n'est pas destiné à être utilisé par les enfants, les personnes avec des capacités physiques, sensorielles ou mentales réduites ou une expérience et connaissances insuffisantes ni par les personnes qui ne sont pas familiarisées avec les instructions. Les enfants doivent être surveillés pour s'assurer qu'ils ne joueront pas avec l'appareil. Ne confiez pas le nettoyage et l'entretien aux enfants.

Danger !

Certaines mesures de sécurité doivent être respectées pendant l'utilisation des appareils pour empêcher les blessures et les dommages. Par conséquent, lisez attentivement le présent mode d'emploi / les consignes de sécurité. Conservez-les bien pour avoir les informations toujours à la portée de la main. Si vous devez passer l'appareil à d'autres personnes, veuillez leur remettre également le présent mode d'emploi / les consignes de sécurité. Nous ne sommes pas tenus des accidents ou dommages survenus à cause de non-respect du présent mode d'emploi et des consignes de sécurité.

1. Consignes de sécurité**Lisez toutes les instructions**

AVERTISSEMENT : Pendant l'utilisation des appareils électriques de jardinage, respectez toujours les mesures de sécurité pour réduire le risque d'incendie, de choc électrique et de blessures, y compris ce qui suit :

POUR TOUS LES APPAREILS

- Évitez les environnements dangereux – n'utilisez pas les appareils dans des endroits humides ou mouillés.
- Ne les utilisez pas sous la pluie.
- Éloignez les enfants, toutes les personnes et les animaux doivent être tenus à distance de la zone de travail.
- Habillez-vous correctement – ne portez pas de vêtements lâches ou des bijoux. Ils peuvent être happés par les pièces mobiles. Pour les travaux à l'extérieur, il est recommandé de porter des vêtements de protection, d'utiliser des gants de travail, de porter des pantalons longs, une chemise à manches longues et des chaussures de sécurité. Portez un couvre-chef pour recouvrir des cheveux longs.
- Utilisez des lunettes de sécurité – utilisez toujours un masque facial ou anti-poussière si l'endroit où vous travaillez est poussiéreux. Le but des règles de sécurité consiste à attirer votre attention sur les dangers potentiels. Les symboles de sécurité et leurs explications exigent votre attention et votre compréhension. Les avertissements de sécurité ne suppriment pas le risque à eux seuls. Les instructions ou avertissements qu'ils donnent ne remplacent pas les mesures adéquates de prévention d'accidents.
- Utilisez l'appareil approprié – n'utilisez pas l'appareil dans un autre but que celui pour lequel il a été conçu.
- Ne forcez pas l'appareil – il fonctionnera mieux et avec une moindre probabilité d'un risque ou d'une blessure à la vitesse pour laquelle il a été conçu.
- Ne vous penchez pas trop – gardez une bonne position et l'équilibre à tout instant.
- Restez vigilant. Utilisez du bon sens. N'utilisez pas l'appareil si vous êtes fatigué ou si vous vous trouvez sous l'emprise de drogues, d'alcool ou de médicaments.
- Si vous n'utilisez pas l'appareil, rangez-le dans un local sec inaccessible aux enfants.
- Entretenez l'appareil avec soin. Suivez les instructions de lubrification et de remplacement des accessoires. Gardez les poignées sèches, propres et exemptes d'huile et de graisse.
- Vérifiez les pièces endommagées. Avant d'utiliser l'appareil, assurez-vous que les dispositifs de sécurité sont intacts. N'utilisez jamais un outil sans son dispositif de sécurité. Vérifiez l'alignement de pièces mobiles, le coincement de pièces mobiles.
- Examinez les pièces cassées ou défectueuses qui peuvent affecter le fonctionnement en toute sécurité de votre outil. Une protection ou une autre pièce endommagée doit être correctement réparée ou remplacée par un centre de service autorisé, sauf indication contraire dans le présent mode d'emploi.
- Rechargez uniquement avec un chargeur spécifié par le fabricant. Un chargeur qui convient pour un type de batterie peut créer un risque d'incendie s'il est utilisé avec un autre bloc de batterie.
- Utilisez les appareils uniquement avec des batteries spécifiquement désignées. L'utilisation de tout autre batterie peut créer un risque de blessure et d'incendie.
- Lorsque la batterie n'est pas utilisée, conservez-la à l'écart d'autres objets métalliques, comme les trombones, les pièces de monnaie, les clés, les clous, les vis ou autres petits objets métalliques qui pourraient créer une connexion entre les bornes. La mise en court-circuit des bornes de batteries peut causer des brûlures ou un incendie.
- Dans des conditions abusives, un liquide peut sortir de la batterie, évitez le contact. En cas de contact accidentel, rincez avec de l'eau. En cas de contact du liquide avec les yeux,

consultez un médecin. Le liquide sorti de la batterie peut causer des irritations ou des brûlures. (Ce conseil est considéré comme juste pour les types de piles conventionnels de NiMh, NiCd, plomb-acide et Lithium-ion. Si ce conseil est inapproprié pour une onception de cellule différentes de celle-ci, le conseil judicieux peut être appliqué.

- N'utilisez pas une batterie ou un appareil endommagés ou modifiés. Les batteries endommagées ou modifiées peuvent agir de manière imprévisible et donner lieu à un incendie, une explosion ou un risque de blessure.
- N'exposez pas les batteries ou l'appareil au feu ou à des températures excessives. L'exposition au feu ou à une température supérieure à 130 °C (266 °F) peut provoquer une explosion.
- Suivre toutes les instructions de charge et ne pas charger la batterie ou l'appareil en dehors de la gamme de température spécifiée dans les instructions. Un mauvais chargement ou un chargement à des températures en dehors de la gamme spécifiée peut endommager la batterie et augmenter les risques d'incendie.
- Confiez le service à un réparateur qualifié qui utilise uniquement les pièces de rechange identiques. Cela permettra de maintenir la sécurité du produit.
- Ne modifiez pas est n'essayez pas de réparer l'appareil ou la batterie (si applicable), sauf exception indiquée dans les instructions d'utilisation et d'entretien.

1.) POUR TOUS LES APPAREILS SANS FIL

- Ne chargez pas l'appareil sous la pluie ou dans des locaux humides.
- N'utilisez pas les appareils à batterie sous la pluie. Retirez toujours la batterie avant l'ajustement, le nettoyage, le service ou le transport l'appareil de jardin.

2.) POUR TOUS LES PRODUITS SANS FIL AVEC UNE BATTERIE AMOVIBLE OU SÉPARABLE :

- Utilisez uniquement la batterie de type et de taille suivants :
 - 18V 1,5Ah PXC batterie Li-ion
 - 18V 2,0Ah PXC batterie Li-ion
 - 18V 2,5Ah PXC batterie Li-ion
 - 18V 3,0Ah PXC batterie Li-ion
 - 18V 4,0Ah PXC batterie Li-ion
 - 18V 3,0Ah PXC Plus batterie Li-ion
 - 18V 4,0Ah PXC Plus batterie Li-ion

18V 5,2Ah PXC Plus batterie Li-ion
 18V 4,0Ah/6,0Ah PXC Plus batterie Li-ion
 18V 5,0Ah/8,0Ah PXC Plus batterie Li-ion

- Ne jetez pas la batterie dans le feu. La cellule peut exploser. Consultez les règlements locaux pour connaître les instructions d'élimination spécifiques possibles.
- N'ouvrez ni n'abîmez la batterie. L'électrolyte libéré est corrosif et peut être dangereux pour les yeux ou la peau. Il peut être toxique s'il est avalé.
- Manipulez la batterie avec précaution afin de ne pas la court-circuiter avec des matériaux conducteurs, tels que les bagues, les bracelets et les clés. La batterie ou le conducteur peuvent surchauffer et causer des brûlures.

3.) ÉVITEZ UN DÉMARRAGE INTEMPESTIF – N'INSÉREZ PAS LA BATTERIE ALORS QUE VOTRE DOIGT EST SUR L'INTERRUPTEUR. ASSUREZ-VOUS QUE L'INTERRUPTEUR EST SUR L'ARRÊT EN INSÉRANT LA BATTERIE.

AVERTISSEMENTS DE SÉCURITÉ GÉNÉRAUX POUR LA BATTERIE

- Éliminez la batterie usée vite et promptement. Lors de l'élimination des piles secondaires ou des batteries, gardez les piles ou les batteries de différents systèmes électrochimiques séparément les unes des autres.
- Gardez la batterie hors de portée des enfants dans l'emballage d'origine jusqu'à son utilisation.
- Ne mettez jamais les batteries dans la bouche. Si elles sont avalées, contactez immédiatement le centre antipoison local.
- PRUDENCE – La batterie utilisée dans cet appareil peut présenter un risque d'incendie ou de brûlure chimique en cas de mauvaise manipulation. Remplacez uniquement la batterie de marque principale Einhell / gazon. L'utilisation d'une autre batterie peut présenter un risque d'incendie ou d'explosion.
- AVERTISSEMENT : N'utilisez pas une batterie ou un appareil visiblement endommagé.
- AVERTISSEMENT : Ne modifiez ni n'essayez de réparer l'appareil ou la batterie.
- **LES BATTERIES DOIVENT ÊTRE RECYCLÉES.**
- Ne court-circuitez une cellule ou une batterie. Ne conservez pas les piles ou les batteries au hasard dans une boîte ou un tiroir ou elles peuvent court-circuiter entre elles ou être court-circuitées par les matériaux conduc-

teurs.

- N'exposez pas les piles ou les batteries aux chocs mécaniques.
- Gardez les piles et les batteries dans un endroit propre et sec. Essuyez les bornes des piles ou des batteries avec un linge propre et sec si elles deviennent sales.
- Ne gardez pas les piles et les batteries chargées si vous ne les utilisez pas.
- Conservez la pile et la batterie d'origine. N'utilisez pas d'autres chargeurs que ceux qui sont spécifiquement fournies pour être utilisés avec l'équipement. Les piles et les batteries secondaires doivent être cherchées avant l'utilisation. Utilisez toujours le chargeur correct et référez-vous aux instructions du fabricant ou au mode d'emploi de l'équipement pour consulter les instructions de chargement correctes.
- Si possible, retirez la batterie de l'équipement lorsque vous ne l'utilisez pas.
- Empêchez tout démarrage non intentionnel. Assurez-vous que le bouton Marche/Arrêt est en position arrêt (OFF) avant de brancher la batterie, de prendre et de transporter l'outil. Le transport de l'appareil avec le doigt sur le bouton Marche/Arrêt ou la mise sous tension des appareils électriques dont le bouton Marche/Arrêt est en position marche (ON) peuvent causer des accidents.
- Débranchez la batterie de l'appareil avant de procéder aux ajustements, de remplacer les accessoires ou de ranger l'appareil. De telles mesures préventives réduisent le risque de démarrage accidentel de l'appareil.
- Dans des conditions abusives, un liquide peut sortir de la batterie, évitez le contact. En cas de contact accidentel, rincez avec de l'eau. En cas de contact du liquide avec les yeux, consultez un médecin. Le liquide sorti de la batterie peut causer des irritations ou des brûlures.
- Confiez le service à un réparateur qualifié qui utilise uniquement les pièces de rechange identiques. Cela permettra de maintenir la sécurité du produit.
- **Protégez votre batterie de l'humidité, de la pluie et de l'humidité de l'air élevée.** L'humidité, la pluie et l'humidité de l'air élevée peuvent endommager dangereusement les cellules. En aucun cas, ne chargez ni ne travaillez avec la batterie qui a été exposée à l'humidité, à la pluie ou à l'humidité de l'air élevée – remplacez-les immédiatement !
- Si votre appareil est équipé d'une batterie

amovible, retirez-la de votre appareil à la fin de votre travail pour des raisons de sécurité.

CONSIGNES DE SÉCURITÉ IMPORTANTES POUR LE CHARGEUR

AVERTISSEMENT : Ce produit peut contenir du plomb, du phtalate ou autres produits chimiques reconnus par l'État de Californie comme cause de cancer, d'anomalies congénitales et de lésions de l'appareil reproducteur. Veuillez laver vos mains après l'utilisation.

Danger !

Lisez toutes les consignes de sécurité et instructions. Le non-respect des consignes de sécurité et des instructions peut causer une électrocution, un incendie et / ou de graves blessures. **Conservez toutes les consignes de sécurité et instructions pour l'avenir.**

Consignes générales de sécurité pour les outils électriques

Le terme « outil électrique » utilisé dans les consignes de sécurité se réfère à des outils électriques alimentés par le secteur (avec câble d'alimentation) et à des outils électriques alimentés par la batterie (sans câble d'alimentation).

1. Sécurité du lieu de travail

- a) **Maintenez votre espace de travail propre et bien éclairé.** *Le désordre ou les espaces de travail non éclairés peuvent provoquer des accidents.*
- b) **Ne travaillez pas avec l'outil électrique dans une atmosphère explosible contenant des liquides, des gaz ou des poussières combustibles.** *Les appareils électriques génèrent des étincelles pouvant enflammer la poussière ou les vapeurs.*
- c) **Tenez à distance les enfants et autres personnes lors de l'utilisation de l'appareil électrique.** *En cas de distraction, vous pouvez perdre le contrôle de l'appareil.*

2. Sécurité électrique

- a) **La fiche de raccordement de l'appareil électrique doit être adaptée à la prise. La fiche ne doit être modifiée en aucune façon. N'utilisez pas de fiche d'adaptateur avec les outils électriques mis à la terre.** *Les fiches non modifiées et les prises adaptées diminuent le risque d'une électrocution.*
- b) **Évitez le contact physique avec les surfaces mises à la terre, comme celles de conduits, des chauffages, des cuisinières**

- et des réfrigérateurs.** *Il existe un risque élevé d'électrocution lorsque votre corps est mis à la terre.*
- c) **Gardez les appareils électriques à l'abri de la pluie ou de l'humidité.** *La pénétration de l'eau dans un appareil électrique augmente le risque d'une électrocution.*
- d) **Ne détournez pas le câble de sa fonction pour porter ou pour accrocher l'appareil électrique ou pour retirer la fiche de la prise.** *Gardez le câble à l'abri de la chaleur, de l'huile, des bords coupants ou des éléments mobiles de l'appareil. Les câbles endommagés ou enchevêtrés augmentent le risque d'une électrocution.*
- e) **Si vous travaillez avec un appareil électrique dehors, utilisez uniquement une rallonge adaptée à l'usage à l'extérieur.** *L'utilisation d'une rallonge adaptée à l'usage à l'extérieur diminue le risque d'une électrocution.*
- f) **Si l'appareil électrique doit être utilisé dans un environnement humide, utilisez un Disjoncteur de fuite à la terre.** *L'utilisation d'un disjoncteur de fuite à la terre diminue le risque d'une électrocution.*
- 3. Sécurité des personnes**
- a) **Soyez attentif, prenez garde à ce que vous faites et soyez raisonnable en travaillant avec un outil électrique.** *N'utilisez pas un appareil électrique si vous êtes fatigué ou si vous vous trouvez sous l'effet de drogues, d'alcool ou de médicaments. Un instant d'inattention lors de l'utilisation de l'appareil électrique peut entraîner de graves blessures.*
- b) **Utilisez l'équipement de protection individuelle. Porter toujours une protection des yeux.** *L'équipement de protection, tel que le masque anti-poussière, les chaussures de sécurité antidérapantes, le casque protecteur ou la protection auditive utilisés dans des conditions appropriées, permet de réduire les dommages corporels.*
- c) **Évitez tout démarrage non intentionnel. S'assurer que le bouton marche-arrêt est en position Arrêt (Off) avant de connecter la source de courant et/ou la BATTERIE, de prendre et de transporter l'outil.** *Transporter des outils électriques avec votre doigt sur le bouton marche-arrêt ou mettre sous tension des outils électriques dont le bouton marche-arrêt est position Marche (On) peut causer des accidents.*
- d) **Avant d'allumer l'outil électrique, retirez les outils de réglage ou les clés.** *Un outil ou une clé se trouvant dans un élément tournant de la machine peut entraîner des blessures.*
- e) **Évitez une posture anormale. Ayez un appui stable et gardez l'équilibre en permanence.** *Vous pouvez ainsi mieux contrôler l'outil électrique dans des situations imprévues.*
- f) **Portez des vêtements appropriés. Ne portez pas de vêtements amples ni de bijoux. Gardez les cheveux, les vêtements et les gants à distance des éléments mobiles.** *Des vêtements amples, bijoux ou longs cheveux peuvent être happés par les éléments mobiles.*
- g) **Si des dispositifs d'aspiration ou de récupération des poussières peuvent être montés, assurez-vous qu'ils sont connectés et peuvent être utilisés correctement.** *L'utilisation d'une aspiration des poussières peut diminuer les risques causés par la poussière.*
- h) **La familiarité acquise par l'utilisation fréquente des outils ne doit pas laisser place à la complaisance et à l'ignorance des principes de sécurité de l'outil.** *Une action imprudente peut causer de graves blessures en une fraction de seconde.*
- 4. Utilisation et traitement de l'outil électrique**
- a) **Ne surchargez pas l'appareil.** *Utilisez l'outil électrique adapté à votre application. Vous travaillez mieux et de manière plus sûre avec un outil électrique approprié dans la gamme de puissance indiquée.*
- b) **N'utilisez pas un outil électrique avec un interrupteur défectueux.** *Un outil électrique qui ne peut plus être allumé ou éteint est dangereux et doit être réparé.*
- c) **Débranchez la fiche de la source électrique et / ou retirez la batterie de l'outil électrique, si elle est amovible, avant de procéder à des ajustements, remplacer des accessoires ou ranger les outils électriques.** *De telles mesures préventives réduisent le risque de démarrage accidentel de l'outil électrique.*
- d) **Conservez les outils électriques non utilisés hors la portée des enfants. Ne permettez pas aux personnes qui ne sont pas familiarisées avec cet appareil ou qui n'ont pas lu ces instructions de l'utiliser.**

Les outils électriques sont dangereux lorsqu'ils sont utilisés par des personnes inexpérimentées.

- e) **Entretien des outils électriques et les accessoires. Vérifiez la dérive d'alignement ou l'attache des pièces mobiles, la rupture des pièces et s'assurer qu'aucun autre problème peut affecter le bon fonctionnement de l'outil électrique. Faire réparer l'outil endommagé avant l'utilisation.** *De nombreux accidents sont dus au mauvais entretien des outils électriques.*
 - f) **Maintenez vos outils de coupe aiguisés et propres.** *Les outils de coupe aux bords tranchants bien soignés se coincent moins et sont plus aisés à guider.*
 - g) **Utilisez l'outil électrique, les accessoires, les outils utilisés, etc. conformément au présent mode d'emploi. Tenez compte des conditions de travail et de l'activité à réaliser.** *L'utilisation des outils électriques pour des usages autres que prévus peut entraîner des situations dangereuses.*
 - h) **Gardez les poignées et les surfaces de prise sèches, propres et exemptes d'huile et de graisse.** *Les poignées et surfaces de prise glissantes ne permettent pas d'effectuer une manipulation et un contrôle de l'outil en toute sécurité dans des situations imprévues.*
- 5. Utilisation et traitement de l'outil sans fil**
- a) **Chargez les batteries uniquement dans les chargeurs recommandés par le fabricant.** *L'utilisation d'un chargeur pour des batteries non appropriées présente un risque d'incendie.*
 - b) **Utilisez dans les outils électriques uniquement les batteries prévues à cet effet.** *L'utilisation d'autres batteries peut entraîner des blessures et le risque d'incendie.*
 - c) **Conservez la batterie non utilisée à distance des trombones, pièces de monnaie, clés, clous, vis ou autres menus objets en métal susceptibles de provoquer un pontage des contacts.** *Un court-circuit entre les contacts de la batterie peut entraîner des brûlures ou le feu.*
 - d) **En cas d'utilisation incorrecte, un liquide peut s'échapper de la batterie. Ne le touchez pas. Rincez à l'eau en cas de contact fortuit. Si le liquide entre en contact avec les yeux, consultez également le médecin.** *Le liquide s'échappant de la batterie peut causer des irritations cutanées ou des brûlures.*
- e) **Ne pas utiliser une BATTERIE ou un outil endommagé(e) ou modifié(e).** *Les batteries endommagées ou modifiées peuvent agir de manière imprévisible et donner lieu à un incendie, une EXPLOSION ou un risque de blessure.*
 - f) **Ne pas exposer une BATTERIE ou un outil au feu ou à une température excessive.** *Une exposition au feu ou à une température supérieure à 266°F (130°C) peut causer une explosion.*
 - g) **Suivre toutes les instructions de charge et ne pas charger la BATTERIE ou l'outil en dehors de la gamme de température spécifiée dans les instructions.** *Un mauvais chargement ou un chargement à des températures en dehors de la gamme spécifiée peut endommager la BATTERIE et augmenter les risques d'incendie.*
- 6. Service**
- a) **Faites réparer votre outil électrique uniquement par des spécialistes qualifiés et uniquement avec des pièces de rechange d'origine.** *Cela garantit le maintien de la sécurité de l'outil électrique.*
 - b) **Ne jamais entretenir des BATTERIES endommagées.** *L'entretien des BATTERIES doit être effectué uniquement par le fabricant ou par des prestataires de service autorisés.*
- Consignes spécifiques de sécurité**
- Nous construisons chaque batterie avec le plus grand soin possible pour pouvoir vous transmettre les batteries avec la densité énergétique, la durabilité et la sécurité maximales. Les cellules de batterie sont munies de dispositifs de sécurité de plusieurs niveaux. Chaque cellule individuelle est d'abord formatée, et leurs courbes caractéristiques sont enregistrées. Ensuite, ces données sont utilisées pour pouvoir regrouper les meilleures batteries possible.
- Malgré toutes les mesures de sécurité, il faut toujours être prudent en maniant les batteries. Les points suivants doivent être impérativement respectés pour assurer le fonctionnement sûr.**
- Le fonctionnement sûr n'est possible qu'avec des cellules intactes ! Une manipulation incorrecte endommage les cellules.**
- Attention !** Des analyses confirment que l'utilisation gravement inappropriée et des soins incorrects constituent la cause principale des dommages dus aux batteries haute performance.

Consignes concernant les batteries

1. La batterie de l'appareil sans fil n'est pas chargée à la livraison. Par conséquent, la batterie doit être chargée avant la première mise en service.
2. Évitez des cycles de décharge à plat pour garantir la performance maximale de la batterie ! Chargez souvent votre batterie.
3. Conservez votre batterie au frais, au mieux à 59 °F (+15 °C), et chargée d'au moins à 40%.
4. Les batteries Lithium-Ion sont sujettes au vieillissement naturel. La batterie doit être remplacée au plus tard lorsque la capacité de la batterie ne correspond plus qu'à 80 % de l'état neuf. Les cellules affaiblies dans une batterie vieilli ne tiennent plus la tête aux exigences élevées en terme de performance et présentent ainsi un risque de sécurité.
5. Ne jetez pas les batteries usées dans le feu ouvert. Risque d'explosion !
6. Ne pas allumer la batterie et ne pas l'exposer à la combustion.
7. **Ne pas décharger complètement la batterie !** La décharge complète endommage les cellules de la batterie. La cause la plus fréquente de la décharge complète de la batterie constitue un stockage ou non-utilisation prolongés des batteries à moitié chargées. Terminez l'opération dès que la puissance diminue visiblement ou la protection électronique réagit. Ne conservez la batterie que complètement chargée.
8. **Protéger les batteries et l'appareil contre la surcharge !** Une surcharge provoque rapidement la surchauffe et l'endommagement des cellules à l'intérieur du boîtier de batterie, sans que cela puisse se voir de l'extérieur.
9. **Évitez les détériorations et les chocs !** Remplacez sur-le-champ les batteries ayant chuté d'une hauteur de plus d'un mètre ou ayant été exposées à des coups violents, même si le boîtier de la batterie semble intact. Les cellules de la batterie peuvent être sérieusement endommagées à l'intérieur. Respectez à cet égard également les consignes d'élimination.
10. En cas de surcharge et de surchauffe, le circuit de protection intégré éteint l'appareil pour des raisons de sécurité.
Attention ! N'actionnez plus l'interrupteur marche / arrêt lorsque le circuit de protection a éteint l'appareil. Cela peut endommager la batterie.
11. N'utilisez que des batteries d'origine. L'utilisation d'autres batteries peut entraîner des blessures, une explosion et le risque d'incendie.
12. **Protégez votre batterie de l'humidité, de la pluie et de l'humidité de l'air élevée.** L'humidité, la pluie et l'humidité de l'air élevée peuvent endommager dangereusement les cellules. En aucun cas, ne chargez ni ne travaillez avec la batterie qui a été exposée à l'humidité, à la pluie ou à l'humidité de l'air élevée – remplacez-les immédiatement !
13. Si votre appareil est équipé d'une batterie amovible, retirez-la de votre appareil à la fin de votre travail pour des raisons de sécurité.

Consignes concernant le chargeur et la charge

1. Tenez compte des informations indiquées sur la plaque signalétique du chargeur. Raccordez le chargeur uniquement à la tension d'alimentation indiquée sur la plaque signalétique.
2. Protégez le chargeur et le fil contre l'endommagement et les bords coupants. Les câbles endommagés doivent être immédiatement remplacés par un électricien.
3. Protéger le chargeur, les batteries et l'appareil sans fil contre les enfants.
4. Ne pas utiliser des chargeurs endommagés.
5. N'utilisez pas le chargeur fourni pour charger d'autres appareils sans fil.
6. En cas de forte sollicitation, la batterie se réchauffe. Laissez refroidir la batterie à la température ambiante avant le chargement.
7. **Ne pas surcharger les batteries !** Respectez les durées maximales du chargement. Ces durées de chargement s'appliquent uniquement aux batteries déchargées. Le branchement répété d'une batterie chargée ou partiellement chargée entraîne la surcharge et l'endommagement des cellules. Ne pas laisser les batteries insérées dans le chargeur pendant plus que 48 heures.
8. **N'utilisez ni chargez pas les batteries que vous supposez avoir été chargées pour la dernière fois depuis plus de 12 mois.** Il est hautement probable que la batterie est déjà dangereusement endommagée (déchargement complet).
9. Un chargement à une température inférieure à 50 °F (10 °C) entraîne une détérioration chimique de la cellule et peut provoquer un incendie.

10. N'utilisez pas de batteries qui se sont réchauffées pendant le chargement, car les cellules de la batterie pourraient être dangereusement endommagées.
11. N'utilisez plus les batteries qui se sont bombées ou déformées pendant le chargement ou qui présentent des symptômes inhabituels (dégazage, sifflement, grésillement, ...).
12. Ne déchargez pas complètement la batterie (déchargement maximal recommandé max. 80 %). Le déchargement complet entraîne un vieillissement précoce des cellules de la batterie.
13. Ne charger jamais les batteries sans surveillance !

Protection contre l'impact environnemental

1. Portez des vêtements de travail appropriés. Porter des lunettes de protection.
2. **Protégez votre appareil sans fil et le chargeur contre l'humidité et la pluie.**
L'humidité et la pluie peuvent entraîner des dommages dangereux des cellules.
3. Ne pas utiliser l'appareil sans fil et le chargeur dans un espace contenant des vapeurs et des liquides combustibles.
4. Utilisez le chargeur et les appareils sans fil uniquement en état sec et à une température ambiante de 50-104 °F (10-40 °C).
5. Ne conservez pas la batterie dans des endroits où la température peut être supérieure à 104 °F (40 °C), en particulier dans un véhicule garé au soleil.
6. **Protégez les batteries contre la surchauffe !** Une surcharge, un chargement excessif ou le rayonnement solaire entraînent la surchauffe et détériorent les cellules. Ne chargez ni travaillez en aucun cas avec les batteries qui ont été surchauffées, remplacez-les sans tarder.
7. **Conservation des batteries, des chargeurs et de l'appareil sans fil.** Conservez le chargeur et votre appareil sans fil uniquement dans des locaux secs à une température ambiante de 50-104 °F (10-40 °C). Conservez la batterie Lithium-Ion au frais et au sec à 50-68 °F (10-20 °C). Protégez contre l'humidité de l'air et le rayonnement solaire direct ! Conservez les batteries uniquement en état chargé (au moins 40 % de charge).
8. Empêchez que la batterie Lithium-Ion gèle. Les batteries qui ont été conservées plus de 60 minutes au-dessous de 32 °F (0 °C) doivent être éliminées.

9. Attention lors de la manipulation des batteries en rapport avec la charge électrostatique : les décharges électrostatiques endommagent la protection électronique et les cellules de la batterie ! Par conséquent, évitez les décharges électrostatiques et ne touchez jamais les pôles de la batterie !

Mise en garde concernant les batteries et informations sur leur élimination

Élimination

Si votre outil doit être remplacé après une période d'utilisation prolongée, ne le jetez pas avec les ordures ménagères, mais éliminez-le d'une manière respectueuse pour l'environnement.



Les déchets produits par les éléments d'un outil ou d'une machine électrique ne doivent pas être traités comme des déchets ménagers. Veuillez les recycler dans les installations prévues à cet effet.

Pour obtenir des conseils sur le recyclage, communiquez avec les services publics locaux ou avec votre revendeur.

Éliminez toujours les batteries en vous conformant aux réglementations fédérales, provinciales ou territoriales et locales. Communiquez avec un organisme de recyclage de votre région pour obtenir la liste des sites de recyclage.

⚠ MISE EN GARDE! Même déchargée, une batterie emmagasine une certaine énergie. Avant de l'éliminer, utilisez du ruban isolant pour couvrir les bornes et empêcher ainsi la batterie de provoquer un court-circuit, ce qui pourrait causer un incendie ou une explosion.

⚠ AVERTISSEMENT! Pour réduire le risque de blessure ou d'explosion, ne jamais brûler ou incinérer une batterie, même si elle est endommagée, à plat ou complètement déchargée. En brûlant, des vapeurs et des matières toxiques sont émises dans l'atmosphère environnante.

1. Les batteries varient selon le type d'outils ou de machines. Consulter le manuel pour des renseignements spécifiques.
2. Le cas échéant, insérez uniquement des batteries neuves de même type dans l'outil ou la machine.
3. Si, en l'insérant, la polarité de la batterie n'est pas respectée, comme indiqué dans le compartiment à batterie ou dans le manuel, sa durée de vie pourrait être réduite ou elle pourrait fuir.

4. Ne pas mélanger des batteries anciennes et des neuves.
5. Ne pas mélanger des batteries alcalines, standard (carbone/zinc) ou rechargeables (au nickel-cadmium, au nickel-métal-hydrure ou au lithium-ion).
6. Ne jeter aucune batterie au feu. Les cellules de batterie peuvent exploser.
7. Les batteries doivent être recyclées ou éliminées en observant les directives provinciales ou territoriales et locales.

Pour expédier ou éliminer les batteries ou l'appareil sans fil, veillez à ce qu'ils soient emballés individuellement dans un sac en plastique pour empêcher les courts-circuits ou les incendies !

Attention: Ne pas opérer près des lignes électriques. L'unité n'a pas été conçue pour protéger contre les chocs électriques en cas de contact avec les lignes électriques aériennes. Consulter la réglementation locale pour les distances d'éloignement sécuritaires des lignes électriques aériennes et s'assurer que la position de fonctionnement est sûre et sécurisée avant d'opérer la scie en chaîne à perche.

Avertissements de sécurité pour la scie à chaîne à perche

- 1) Gardez toutes les parties de votre corps à l'écart de la chaîne de scie. N'enlevez pas le matériau coupé ni ne tenez pas le matériau à couper lorsque la chaîne bouge. Assurez-vous que l'interrupteur soit éteint en dégageant le matériau coincé. La chaîne de scie continue à tourner après la désactivation de l'interrupteur. Un moment d'inattention pendant l'utilisation de la scie à chaîne à perche peut entraîner de graves blessures.
- 2) Portez la scie à chaîne à perche par la poignée avec la chaîne de scie arrêtée. Posez toujours le garde de protection sur la chaîne de scie pendant le transport et le rangement de la scie à chaîne à perche. Un maniement correct de la scie à chaîne à perche réduira le risque de blessures causées par la chaîne de scie.
- 3) Tenez la scie à chaîne à perche uniquement par les surfaces de préhension isolées parce que la chaîne de scie peut entrer en contact avec le câblage dissimulé. Une chaîne de scie en contact avec un câble sous tension peut mettre sous tension des pièces métalliques exposées de la scie à chaîne à perche

et pourrait causer un choc électrique à l'opérateur.

- 4) N'utilisez pas la scie à chaîne à perche par mauvais temps, en particulier lorsqu'il y a un risque de foudre. Cela diminue le risque d'être frappé par la foudre.
- 5) Pour réduire le risque d'électrocution, n'utilisez jamais l'appareil à proximité des lignes électriques. L'utilisation à proximité des lignes électriques ou le contact avec celles-ci pourrait causer une grave blessure ou un choc électrique mortel.
- 6) Manipulez toujours la scie à chaîne à perche avec les deux mains. Tenez la scie à chaîne à perche avec les deux mains pour éviter une perte de contrôle.
- 7) Portez toujours un casque pendant l'utilisation de la scie à chaîne à perche. La chute de débris peut causer de graves blessures.

Cet appareil n'est pas prévu pour être utilisé par des personnes (y compris les enfants) avec des capacités physiques, sensorielles ou mentales limitées ou manquant d'expérience et / ou de connaissances, à moins qu'elles ne soient surveillées ou instruites du fonctionnement de l'appareil par la personne chargée de leur sécurité. Les enfants doivent être surveillés pour s'assurer qu'ils ne joueront pas avec l'appareil.

CONSERVEZ CES INSTRUCTIONS

Explication des symboles (fig. 23) :

1. Avertissement!
2. Lire le mode d'emploi avant la mise en marche!
3. Portez la protection des yeux / de la tête et de l'audition!
5. Portez des chaussures robustes !
6. Danger de mort par électrocution. La distance par rapport aux lignes électriques doit être d'au moins 10 m (33 pi.) !
7. Portez des gants de protection.
8. Gardez vos mains loin de la chaîne de scie.
9. Prenez garde à la chute et à la projection des pièces !
10. Gardez la distance.
11. Protégez l'appareil contre la pluie ou l'humidité!
12. Sens du mouvement de la chaîne et des dents de scie.
13. Longueur de coupe maximale de la scie à chaîne à perche.

2. Description de l'appareil et contenu de l'emballage

2.1 Description de l'appareil

1. Interrupteur marche/arrêt
2. Verrou de l'interrupteur
3. Bandoulière avec déverrouillage de sécurité
4. Fixation de la bandoulière avec écrou papillon
5. Surface de préhension
6. Écrou de verrouillage
7. Tube de raccordement
8. Couvercle de roue à chaîne
9. Bouchon du réservoir d'huile
10. Unité motrice (unité avec tube)
11. Extension
12. Barre
13. Chaîne de scie
14. Garde de protection de la scie à chaîne
15. Clé pour la scie à chaîne
16. Mousqueton
17. Fixation de la bandoulière
18. Pignon
19. Boulon du couvercle de roue à chaîne
20. Vis de tension de la chaîne
21. Vis de montage
22. Poignée
23. Réservoir d'huile
24. Écrou papillon
25. Touche d'enclenchement
26. Bouton de témoin de charge de la batterie
27. Témoin de charge de la batterie

2.2 Contenu d'emballage

Veillez contrôler l'intégralité de l'article au moyen du contenu d'emballage décrit. En cas de pièces manquantes, veuillez contacter notre centre de service à la clientèle ou le point de vente où vous avez acheté l'appareil au plus tard dans les 5 jours ouvrables à compter de l'achat de l'article en présentant un ticket de caisse valable.

- Ouvrez l'emballage et retirez prudemment l'appareil.
- Enlevez le matériau d'emballage ainsi que les sécurités d'emballage et de transport (le cas échéant).
- Vérifiez l'intégralité du contenu d'emballage.
- Vérifiez si l'appareil et les accessoires présentent des dommages dus au transport.
- Si possible, conservez l'emballage jusqu'à l'expiration de la durée de garantie.

Danger !

L'appareil et le matériau d'emballage ne sont pas un jouet ! Les enfants ne doivent pas jouer avec des sachets en plastique, des films ou de petites pièces ! Il existe le risque d'ingestion et de suffocation !

- Unité motrice (unité avec tube)
- Extension
- Bandoulière avec déverrouillage de sécurité
- Chaîne de scie
- Barre
- Garde de protection de la scie à chaîne
- Clé pour la scie à chaîne
- Mode d'emploi d'origine avec consignes de sécurité

3. Utilisation conforme


La scie à chaîne sans fil est prévue pour l'ébranchage des arbres. Elle ne convient pas pour le sciage de grosses branches ni pour l'abattage des arbres, encore moins pour le sciage d'autres matériaux en bois.

La machine ne doit être utilisée que conformément à sa destination. Toute autre utilisation dépassant ce cadre n'est pas conforme. C'est l'utilisateur / l'opérateur qui est responsable de tous les dommages ou blessures de toute nature en résultant et non pas le fabricant.

Veillez noter que nos appareils n'ont pas été conçus pour une utilisation commerciale, artisanale ou industrielle. Nous n'accordons aucune garantie si l'appareil est utilisé dans des entreprises commerciales, artisanales ou industrielles ou pour des activités équivalentes.

Avertissement ! Pendant le fonctionnement, cet appareil électrique génère un champ électromagnétique. Dans certaines circonstances, ce champ peut endommager des implants médicaux actifs ou passifs. Pour réduire le risque de blessures graves ou mortels, nous recommandons aux personnes porteuses d'implants médicaux de consulter leur médecin ou le fabricant de l'implant médical avant d'utiliser l'appareil.

4. Caractéristiques techniques

Alimentation électrique du moteur: 18V 
 Longueur de la barre:..... 20 cm (8")
 Écartement de la chaîne: . 9,5 mm (3/8"), 33 dents
 Épaisseur de la chaîne : 1,1 mm (0,043")
 Chaîne de scie:.....Oregon 90PX033X
 Barre: Oregon 084LNEA041
 Vitesse de coupe à
 une vitesse nominale: 5,5 m/s (18,04 pi./sec.)
 Capacité du réservoir d'huile:..... 70 ml (2,36 fl oz)
 Poids (outil seulement):3,35 kg (7,38 lb)

Accessoires disponibles séparément

18V 1,5Ah PXC batterie Lithium-Ion
 18V 2,0Ah PXC batterie Lithium-Ion
 18V 2,5Ah PXC batterie Lithium-Ion
 18V 3,0Ah PXC batterie Lithium-Ion
 18V 4,0Ah PXC batterie Lithium-Ion
 18V 3,0Ah PXC Plus batterie Lithium-Ion
 18V 4,0Ah PXC Plus batterie Lithium-Ion
 18V 5,2Ah PXC Plus batterie Lithium-Ion
 18V 4,0Ah/6,0Ah PXC Plus batterie Lithium-Ion
 18V 5,0Ah/8,0Ah PXC Plus batterie Lithium-Ion
 18V PXC chargeur rapide à double raccord
 18V PXC chargeur rapide

Contactez votre détaillant pour les modèles plus spécifiques de batteries et de chargeurs disponibles dans votre région. Vous pouvez également explorer les options de batterie + chargeur sur Einhell.com.

Portez une protection auditive.

Le bruit peut provoquer une perte d'acuité auditive.

Limitez à un minimum l'émission de bruit et les vibrations !

- Utilisez uniquement des appareils irréprochables.
- Entretenez et nettoyez l'appareil régulièrement.
- Adaptez votre méthode de travail à l'appareil.
- Ne surchargez pas l'appareil.
- Faites examiner l'appareil le cas échéant.
- Éteignez l'appareil lorsqu'il n'est plus utilisé.
- Portez des gants.

Attention !

Risques résiduels

Il existe toujours des risques même si vous vous servez correctement de cet outil électrique. Les risques suivants peuvent se produire en rapport avec la structure et la réalisation de cet outil électrique :

1. Lésions pulmonaires, si vous ne portez pas de masque anti-poussières approprié.
2. Lésions auditives, si vous ne portez pas de protection auditive appropriée.
3. Dommages pour la santé résultant des vibrations mains-bras, si votre appareil est utilisé d'une manière prolongée ou tenu et entretenu de manière incorrecte.

5. Avant la mise en marche

Avertissement !

Retirez toujours la batterie avant de régler l'appareil.

Danger !

Ne montez la batterie qu'après avoir complètement assemblé l'appareil.
 Pour éviter des blessures, portez constamment des chaussures de protection et utilisez les gardes de protection fournis pendant les travaux sur l'appareil.

Avant chaque mise en marche de l'appareil, vérifiez:

- L'état parfait et l'intégralité des dispositifs de sécurité et du dispositif de coupe.
- Le bon serrage de toutes les vis.
- La bonne mobilité de tous les éléments mobiles.

5.1 Montage de la bandoulière (fig. 3)

Accrochez le mousqueton (pos. 16) de la bandoulière (pos. 3) à la fixation de la bandoulière (pos. 4). Réglez la hauteur optimale de la bandoulière à l'aide du dispositif d'ajustement. En cas de besoin, la fixation de la bandoulière (pos. 4) peut être décalée sur le tube. Pour ce faire, dévissez l'écrou papillon (fig. 2 / pos. 24), déplacez la fixation de la bandoulière et resserrez l'écrou papillon.

5.2 Montage de l'extension sur l'unité motrice (fig. 9-12)

Remarque : Il est possible de monter tous les attachements avec ou sans extension (fig. 2 / pos. 11). Cela dépend de la hauteur de travail souhaitée.

Veillez à ce que les vis de montage (pos. 21) se trouvent sur le même côté et insérez l'extension (pos. 11) dans le tube de l'unité motrice (pos. 10). Vissez les écrous de verrouillage aux deux tubes (pos. 6). L'unité motrice est visée à l'extension (fig. 12). Le démontage s'effectue dans l'ordre inverse.

Montage / réglages de la scie à chaîne à perche

Danger ! Ne montez la batterie que lorsque la scie à chaîne à perche est entièrement montée et la tension de chaîne est réglée. Pour éviter des blessures, portez constamment des chaussures de protection pendant les travaux avec la scie à chaîne à perche. Utilisez le garde de protection (fig. 2 / pos. 14).

5.3 Montage du la barre et la chaîne de scie (fig. 4-6)

1. Retirez le boulon de serrage de la chaîne du couvercle de roue à chaîne (pos. 8) à l'aide de la clé pour la scie à chaîne à perche (pos. 15).
2. Retirez le couvercle de roue à chaîne.
3. Placez la chaîne de scie (pos. 8) dans la rainure périphérique de la barre (pos. 12).
4. Posez la barre (pos. 12) et la chaîne de scie (pos. 8) dans le logement de la scie à chaîne à perche. Ce faisant, passez la chaîne de scie autour du pignon (pos. 18) et appuyez la barre dans les fentes à côté du trou du boulon de serrage de la chaîne (pos. 19).
5. Réinstallez le couvercle de roue à chaîne et serrez le boulon de serrage de la chaîne fermement à la main.

Remarque : Ne serrer pas le boulon de serrage de la chaîne qu'après le réglage de la tension de la chaîne (voir point 5.4).

5.4 Réglage de la tension de la chaîne de scie (fig. 7-8)

1. Desserrez légèrement le boulon de serrage de la chaîne du couvercle de roue à chaîne (utilisez la clé pour la scie à chaîne à perche).
2. Réglez la tension de la chaîne de scie avec la vis de tension de la chaîne (pos. 20) à l'aide de la clé pour la scie à chaîne à perche (pos.

15). La rotation à droite augmente la tension de la chaîne, la rotation à gauche la réduit. La tension de la chaîne est correcte si celle-ci peut être soulevée d'environ 2 mm ($\frac{1}{16}$ " au milieu de la barre.

3. Serrez fermement le boulon de serrage de la chaîne du couvercle de roue à chaîne (utilisez la clé pour la scie à chaîne à perche).

Danger ! Tous les maillons de chaîne doivent se trouver correctement dans la rainure de guidage de la barre.

Remarques pour tendre la chaîne :

La chaîne de scie doit être tendue correctement pour garantir un fonctionnement sûr. La tension est optimale lorsque la chaîne de scie peut être soulevée de 2 mm ($\frac{1}{16}$ " au milieu de la barre (fig. 8). Puisque la chaîne de scie s'échauffe par le sciage, ce qui l'allonge, vérifiez toutes les 10 minutes au plus la tension de chaîne et ajustez-la en cas de besoin. C'est notamment le cas des chaînes de scie neuves. Détendez la chaîne de scie une fois le travail fini parce qu'elle se raccourcit en se refroidissant. Ainsi, vous prévenez les dommages à la chaîne.

5.5 Lubrification de la chaîne de scie

Remarque ! (Fig. 14) N'utilisez jamais la chaîne sans huile pour chaînes de scie ! L'utilisation de la scie à chaîne à perche sans huile pour chaînes de scie ou si le niveau d'huile est inférieur au marquage minimal endommage la scie à chaîne à perche sans fil !

Remarque ! Tenir compte des conditions thermiques :

Différentes températures ambiantes exigent des lubrifiants de viscosité extrêmement variable. À basses températures, vous avez besoin d'huiles fluides (faible viscosité) pour créer une pellicule lubrifiante suffisante. Ou, si vous utilisez la même huile en été, elle se liquéfiera uniquement à cause des températures élevées. Cela peut rompre la pellicule lubrifiante au risque de surchauffer et d'endommager la chaîne. En outre, l'huile lubrifiante brûle et provoque une pollution superflue.

Remplir le réservoir d'huile (fig. 14)

1. Placez la scie à chaîne à perche sur une surface plane.
2. Nettoyez la zone autour du bouchon du réservoir d'huile (pos. 9) et enlevez-le.
3. Remplissez le réservoir (pos. 23) avec de

l'huile pour chaînes de scie. Ce faisant, empêchez la pénétration des salissures dans le réservoir pour ne pas obstruer le gicleur.

4. Revissez le bouchon de réservoir d'huile (pos. 9).

5.6 Montage de la batterie (fig. 15)

Poussez une batterie dans le compartiment prévu à cette fin. Dès que la batterie est complètement insérée, elle s'enclenche. Pour retirer la batterie, appuyez sur la touche d'enclenchement (pos. 25) et retirez la batterie.

5.7 Chargement de la batterie au Lithium-Ion (non inclus)

Vous trouverez les instructions correspondantes dans le mode d'emploi d'origine de votre chargeur.

5.8 Affichage de la capacité de la batterie (image 16/Pos. 27)

Appuyez sur l'interrupteur de l'affichage de la capacité de la batterie (26). L'affichage de la capacité de la batterie (27) signale l'état de charge de la batterie au moyen de 3 DEL.

Les 3 DEL s'allument:

La batterie est complètement chargée.

2 ou 1 DEL s'allument:

La batterie a une charge résiduelle suffisante.

1 DEL clignote:

La batterie est déchargée, chargez la batterie.

Tous les voyants clignotent :

La température de la batterie est trop basse. Retirez la batterie de l'appareil, laissez-la à température ambiante pendant une journée. Si le défaut se reproduit, cela signifie que la batterie rechargeable a subi une décharge complète et est défectueuse. Retirez la batterie de l'équipement. N'utilisez ou ne chargez jamais une batterie défectueuse.

6. Fonctionnement

Veillez tenir compte des dispositions légales de la réglementation de la protection sonore, qui peuvent varier d'un lieu à un autre.

6.1 Mettre la bandoulière (fig. 17-18)

Attention ! Portez toujours une bandoulière pendant le travail. Éteignez toujours l'appareil avant de détacher la bandoulière. Il existe un risque de blessure.

1. Passez la bandoulière (pos. 3) par-dessus votre épaule.
2. Ajustez la longueur de la bandoulière de sorte que la fixation soit à la hauteur des hanches.
3. La bandoulière est munie d'une boucle. S'il est nécessaire de déposer l'appareil rapidement, appuyez les crochets.

6.2 Mise en marche/arrêt

Mise en marche (fig. 19)

- Tenez l'appareil fermement avec une main sur la poignée (pos. 22) et l'autre main sur la surface de préhension (pos. 5).
- Enfoncez le verrou de l'interrupteur (pos. 2) et ensuite l'interrupteur de marche/arrêt (pos. 1).

Mise à l'arrêt (fig. 19)

Relâcher l'interrupteur de marche/arrêt (pos. 1).

7. Utilisation

Danger ! Travaillez uniquement avec un appareil entièrement monté.

Pour éviter des blessures, portez constamment des chaussures de protection et utilisez les gardes de protection fournis pendant les travaux sur l'appareil.

7.1 Travailler avec la scie à chaîne à perche sans fil

Préparation

Avant chaque utilisation, vérifiez les points suivants pour pouvoir travailler avec plus de sécurité:

État de la scie à chaîne à perche sans fil

Avant l'utilisation, vérifiez si la scie à chaîne à perche sans fil présente des dommages sur le boîtier, la chaîne de scie et la barre. N'utilisez jamais un appareil évidemment endommagé.

Réservoir d'huile

Vérifiez le niveau du réservoir d'huile. Pendant l'utilisation, vérifiez s'il y a toujours suffisamment d'huile. Pour ne pas endommager la scie à chaîne à perche sans fil, n'utilisez jamais la scie s'il n'y a pas d'huile ou si le niveau d'huile est tombé au-dessous du marquage de «min». En moyenne, un remplissage suffit pour 15 minutes, en fonction des pauses et de la charge.

Chaîne de scie

Vérifiez la tension de la chaîne de scie et l'état des mailles tranchantes. Plus la chaîne de scie est aiguisée, plus le fonctionnement de la scie à chaîne à perche sans fil est aisé et contrôlable. Il en va de même pour la tension de chaîne. Vérifiez la tension de la chaîne aussi pendant le fonctionnement toutes les 10 minutes au plus pour accroître votre sécurité ! Les chaînes de scie neuves notamment ont tendance à s'étendre davantage.

Vêtement de protection

Portez impérativement des vêtements de protection près du corps appropriés, tels que les pantalons anti-coupure, les gants et les chaussures de sécurité.

Protection auditive et lunettes de protection

Portez un casque de protection avec une protection auditive et faciale intégrée. Il protège contre la chute des branches.

Utilisation en toute sécurité

- Pour garantir une utilisation en toute sécurité, un angle de travail maximal de 60° est prescrit.
- Ne jamais se placer au-dessous de la branche à scier.
- Soyez prudent en sciant les branches sous tension et du bois qui éclate.
- Risque de blessure possible par la chute de branches et des éclats de bois projetés!
- Pendant l'utilisation de l'appareil, éloignez les personnes et les animaux.
- L'appareil n'est pas protégé contre les électrocutions en cas de contact avec les lignes électriques à haute tension. Gardez une distance minimale de 10 m (33 pi.) par rapport aux lignes sous tension. Il existe un danger de mort par électrocution!
- Pendant l'utilisation dans une pente, tenez-vous toujours à droite ou à gauche de la branche à scier.

- Tenez l'appareil le plus près du corps. Cela vous offre le meilleur équilibre.

Techniques de sciage

- Lors de l'ébranchage, tenez l'appareil à un angle maximal de 60° par rapport à l'horizontale pour ne pas être frappé par une branche qui tombe (fig. 20).
- Sciez d'abord les branches inférieures de l'arbre. Cela facilite la chute des branches coupées.
- À la fin de la coupe, le poids de la scie pour l'opérateur augmente brusquement parce qu'elle n'est plus appuyée contre la branche. Il y a le risque de perdre le contrôle de la scie.
- Ne tirez la scie de la coupe que lorsque la chaîne de scie est en mouvement. Cela empêche le blocage.
- Ne sciez pas avec la pointe de la barre.
- Ne sciez pas le col de branche bombé. Cela empêche la cicatrisation de l'arbre.

Scier de petites branches (fig. 21) :

Posez la surface de butée de la scie sur la branche. Cela empêche le recul de la scie au début de la coupe. Guidez la scie avec une légère pression de haut en bas à travers la branche.

Scier des branches plus grandes et plus longues (fig. 22) :

Faites une coupe de délestage sur de grosses branches. Sciez d'abord de bas en haut avec le côté supérieur de la barre 1/3 du diamètre de la branche (point 1.). Ensuite, sciez de haut en bas sur la première coupe avec le côté inférieur de la barre (point 2.). Sciez les branches longues par sections pour garder le contrôle sur le lieu d'impact.

Recul

Le terme «recul» décrit ce qui se passe lorsque la scie à chaîne en marche se soulève et recule soudainement. Cela est généralement causé par le contact de la pièce à usiner avec la pointe de la barre ou le coincement de la chaîne de scie. De grandes forces se déploient brusquement lors du recul. C'est pourquoi la scie de chaîne réagit généralement de manière incontrôlée. S'ensuivent souvent de graves blessures de l'opérateur et des personnes l'entourant. Le risque d'un recul est le plus grand si vous appliquez la scie dans la zone de la pointe de la barre parce que l'effet de levier y est le plus fort. Pour cette raison, appliquez la scie toujours de façon aussi plate que possible.

Avertissement !

- Assurez-vous que la tension de la chaîne est toujours correctement réglée!
- N'utilisez une scie à chaîne que si elle est en parfait état de fonctionnement!
- Ne travaillez qu'avec une chaîne de scie aiguisée conformément aux prescriptions!
- Ne sciez jamais avec le bord supérieur ou la pointe de la barre!
- Tenez toujours fermement la scie à chaîne avec les deux mains!

Sciage du bois sous tension

Le sciage du bois qui se trouve sous tension exige une prudence particulière ! Le bois se trouvant sous tension qui sera libéré de la tension par le sciage réagit parfois de manière totalement incontrôlée. Cela peut entraîner des blessures graves, voire mortelles. Seuls les professionnels formés devraient effectuer de tels travaux.

8. Nettoyage et entretien**Danger !**

Avant tout travail de nettoyage, retirez la batterie de l'appareil.

Nettoyage en général

- Nettoyez régulièrement le mécanisme de tension en soufflant dessus avec de l'air comprimé ou en l'époussetant avec une brosse. N'utilisez pas d'outils pour le nettoyage.
- Maintenez les poignées exemptes d'huile pour avoir toujours une bonne prise.
- Ne plongez jamais l'appareil dans l'eau ou d'autres liquides pour le nettoyer.
- Enlevez les dépôts sur les gardes de protection à l'aide d'une brosse.
- Maintenez les dispositifs de protection, les fentes d'aération et les carters de moteur aussi exempt de poussières et de saletés que possible. Frottez l'appareil avec un linge propre et nettoyez-le à l'air comprimé à basse pression.
- Nous recommandons de nettoyer l'appareil directement après chaque utilisation.
- Nettoyez l'appareil régulièrement avec un linge humide et un peu de savon doux. N'utilisez pas de détergeant ni de solvants ; ils peuvent détériorer les éléments en plastique de l'appareil. Veillez à ce que l'eau ne puisse pas pénétrer à l'intérieur de l'appareil. La pénétration de l'eau dans un appareil électrique augmente le risque d'une électrocution.

Maintenance en général

Aucune autre pièce à l'intérieur de l'appareil n'exige la maintenance.

Entretenez l'appareil régulièrement conformément aux consignes suivantes pour maintenir l'appareil en bon état de service. Utilisez uniquement les pièces de rechange et les accessoires autorisés par le fabricant. L'utilisation des pièces de rechange et accessoires non autorisés par le fabricant peut entraîner de plus graves blessures.

8.1 Maintenance de la scie à chaîne à perche

Utilisez uniquement les chaînes de scie et les barres autorisés par le fabricant. Ils sont présentés dans le point 4 « Données techniques ». L'utilisation des pièces de rechange non autorisées par le fabricant peut entraîner de plus graves blessures.

Changer la chaîne de scie et la barre

La barre doit être remplacée lorsque la rainure de guidage de la barre est usée. À cet égard, procédez comme il est décrit au chapitre « Montage de la barre et la chaîne de scie » !

Vérification de la lubrification automatique de la chaîne

Vérifiez régulièrement le fonctionnement de la lubrification automatique de la chaîne pour prévenir une surchauffe et l'endommagement qui en est liée de la barre et de la chaîne de scie. À cette fin, dirigez la pointe de la barre contre une surface lisse (planche, coupe d'un arbre) et faites tourner la scie à chaîne à perche. Si, pendant cette procédure, vous voyez une trace d'huile croissante, la lubrification automatique de la chaîne fonctionne correctement. Si vous ne voyez pas de trace d'huile nette, veuillez-vous rapporter aux indications correspondantes figurant au chapitre « Plan de dépannage » !

Danger ! Ne touchez pas à la surface. Respectez une distance de sécurité suffisante, environ 20 cm (8").

Affutage de la chaîne de scie

Une utilisation efficace de la scie à chaîne à perche sans fil n'est possible que si la chaîne de scie est en bon état et affûtée. Cela réduit le risque d'un recul.

La chaîne de scie peut être réaffûtée chez chaque revendeur spécialisé. N'essayez pas d'affûter la scie par vous-même si vous n'avez pas d'outil approprié et l'expérience nécessaire.

9. Élimination et recyclage

L'appareil se trouve dans un emballage pour empêcher les dommages dus au transport. Cet emballage constitue une matière première et peut par conséquent être réutilisé ou peut être recyclé. L'appareil et ses accessoires sont fabriqués à partir de différents produits, comme par exemple le métal et les matières plastiques. Ne jetez pas les appareils défectueux dans les déchets ménagers. Pour être éliminé de façon appropriée, l'appareil devrait être déposé à un lieu de collecte approprié. Si vous ne connaissez aucun lieu de collecte, informez-vous auprès de l'administration municipale.

10. Entreposage et transport

Entreposez l'appareil et ses accessoires dans un endroit sombre, sec et exempt de gel ainsi que hors la portée des enfants. La température d'entreposage optimale se situe entre 41 °F et 86 °F (5 °C et 30 °C). Entreposez l'outil électrique dans l'emballage d'origine.

Une réimpression ou toute autre reproduction de la documentation et des documents accompagnant les produits, même par extraits, ne sont autorisées qu'avec accord exprès d'Einhell Germany AG.

Sous réserve des modifications techniques.

11. Plan de dépannage

Danger !

Mettre à l'arrêt l'appareil et retirez les batteries avant le dépannage.

Le tableau ci-dessous présente des symptômes de défauts et décrit la procédure à suivre en cas de problème avec votre appareil. Si cela ne vous aide pas à localiser et supprimer le problème, adressez-vous à votre centre de service.

Problème	Cause possible	Solution
L'appareil ne fonctionne pas.	<ul style="list-style-type: none"> - Batterie vide. - Batterie mal insérée. 	<ul style="list-style-type: none"> - Chargez la batterie. - Retirez la batterie et la réinsérer (voir 5.6)
L'appareil fonctionne par intermittence.	<ul style="list-style-type: none"> - Mauvais contact externe. - Mauvais contact interne. - Interrupteur marche/arrêt défectueux. 	<ul style="list-style-type: none"> - Faire appel à un centre de service. - Faire appel à un centre de service. - Faire appel à un centre de service.
Chaîne de scie sèche.	<ul style="list-style-type: none"> - Pas d'huile dans le réservoir. - Aération du bouchon de réservoir d'huile obstrué. - Canal d'écoulement d'huile obstrué. 	<ul style="list-style-type: none"> - Ajoutez de l'huile. - Nettoyez le bouchon de réservoir d'huile. - Dégagez le canal d'écoulement d'huile.
Chaîne / barre chaude.	<ul style="list-style-type: none"> - Pas d'huile dans le réservoir. - Aération du bouchon de réservoir d'huile obstrué. - Canal d'écoulement d'huile obstrué. - Chaîne émoussée. - Chaîne trop tendue. 	<ul style="list-style-type: none"> - Ajoutez de l'huile. - Nettoyez le bouchon de réservoir d'huile. - Dégagez le canal d'écoulement d'huile. - Réaffutez ou remplacez la chaîne. - Vérifiez la tension de chaîne.
La scie à chaîne sans fil arrache, vibre ou ne coupe pas correctement.	<ul style="list-style-type: none"> - Tension de chaîne trop lâche. - Chaîne émoussée. - Chaîne usée. - Les dents de scie pointent dans la mauvaise direction. 	<ul style="list-style-type: none"> - Réglez la tension de chaîne. - Réaffutez ou remplacez la chaîne. - Remplacez la chaîne. - Montez la chaîne de scie avec les dents dans la bonne direction.



Peligro! - Leer el manual de instrucciones para reducir cualquier riesgo de sufrir daños

Este aparato no ha sido concebido para que lo utilicen niños, personas con limitaciones físicas, sensoriales o psíquicas o con insuficiente experiencia y conocimientos o personas que no estén familiarizadas con las instrucciones. Vigilar a los niños para asegurarse de que no jueguen con el aparato. Los niños no pueden limpiar ni realizar trabajos de mantenimiento en el aparato.

Peligro!

Al usar aparatos es preciso tener en cuenta una serie de medidas de seguridad para evitar lesiones o daños. Por este motivo, es preciso leer atentamente este manual de instrucciones/advertencias de seguridad. Guardar esta información cuidadosamente para poder consultarla en cualquier momento. En caso de entregar el aparato a terceras personas, será preciso entregarles, asimismo, el manual de instrucciones/advertencias de seguridad. No nos hacemos responsables de accidentes o daños provocados por no tener en cuenta este manual y las instrucciones de seguridad.

1. Instrucciones de seguridad**Leer todas las instrucciones**

ADVERTENCIA: Al usar aparatos eléctricos de jardinería es preciso tener en cuenta una serie de medidas básicas de seguridad con el fin de reducir el riesgo de incendio, descarga eléctrica y lesiones personales, incluyendo las siguientes:

PARA TODOS LOS APARATOS

- Evitar entornos peligrosos: no utilizar los aparatos en lugares húmedos o mojados.
- No usar bajo la lluvia.
- Mantener a los niños alejados: es preciso mantener a todas las personas y animales alejados de la zona de trabajo.
- Vestirse adecuadamente: no llevar ropa holgada ni joyas. Podrían quedarse atrapadas en las piezas móviles. Llevar ropa protectora: se recomienda usar guantes, pantalones largos, una camiseta de manga larga y calzado de seguridad siempre que se trabaje en el exterior. Llevar gorro para cubrir y proteger el pelo largo.
- Llevar gafas de seguridad: llevar siempre mascarilla antipolvo si hay polvo en el área en el que se va a trabajar. El objetivo de las normas de seguridad es advertir de los posibles peligros. Es preciso prestar especial atención y comprender los símbolos de seguridad y sus explicaciones. Las advertencias de seguridad no eliminan por sí mismas los peligros. Las instrucciones o advertencias que ofrecen no sustituyen las medidas adecuadas para la prevención de accidentes.
- Utilizar el aparato adecuado: no utilizar el aparato para realizar un trabajo para el que no haya sido concebido.
- No forzar el aparato: trabajará mejor y con menos probabilidad de que exista riesgo de sufrir lesiones dentro de los parámetros para la que ha sido diseñado.
- No sobreextenderse: mantener siempre bien apoyados los pies y el equilibrio.
- Estar siempre atento. Utilizar el sentido común. No operar el aparato si se está cansado o bajo la influencia de drogas, alcohol o medicación.
- Cuando no se utilice el aparato, se deberá almacenar en un recinto cerrado y seco fuera del alcance de los niños.
- Realizar el mantenimiento del aparato con cuidado. Seguir las instrucciones para la lubricación y el cambio de accesorios. Mantener las empuñaduras secas, limpias y libres de aceite y grasa.
- Comprobar que no haya piezas dañadas. Antes de utilizar el aparato, asegurarse de que las protecciones de seguridad estén intactas. No utilizar nunca una herramienta sin su protección de seguridad. Revisar la alineación de las piezas móviles y sus uniones.
- Comprobar que no haya piezas rotas o defectuosas que puedan afectar el funcionamiento seguro de la herramienta. Un dispositivo de protección dañado u otra pieza dañada se deberá enviar a reparar adecuadamente o sustituir a un centro de servicio autorizado a no ser que se indique lo contrario en este manual.
- Recargar solo con el cargador especificado por el fabricante. Un cargador adecuado para un tipo de batería puede conllevar el riesgo de provocar un incendio si se usa con otro tipo de batería.
- Utilizar los aparatos solo con las baterías designadas específicamente. El uso de cualquier otro tipo de batería puede suponer un riesgo de sufrir lesiones y de provocar un incendio.
- Si no se está usando la batería, mantenerla alejada de otros objetos metálicos, como clips, monedas, llaves, clavos, tornillos u otros objetos pequeños de metal que puedan realizar una conexión de un terminal al otro. Si se cortocircuitan los terminales de la batería, se pueden provocar quemaduras o un incendio.
- En caso de uso excesivo, es posible que algo de líquido gotee de la batería. Evitar el contacto. En caso de contacto accidental, lavar con agua. Si el líquido entra en contacto con los ojos, buscar atención médica. El líquido

que sale de la batería puede causar irritación o quemaduras. (Estos consejos están destinados a los tipos de batería convencionales NiMH, NiCd, de plomo y ácido y de iones de litio. Si estos consejos no son adecuados para un tipo de batería distinta a estos, sustituirlos por los consejos adecuados.)

- No utilizar baterías ni aparatos que estén dañados o modificados. Las baterías dañadas o modificadas pueden manifestar comportamientos impredecibles que den lugar a incendio, explosión o riesgo de lesión.
- Seguir todas las instrucciones de carga y no cargar la batería ni el aparato fuera del margen de temperatura especificado en las instrucciones. Una carga inadecuada o a temperaturas fuera del margen especificado puede dañar la batería e incrementar el riesgo de incendio.
- Encargar el servicio exclusivamente a una persona cualificada que use solo piezas de repuesto idénticas. Solo así se podrá mantener la seguridad del producto.
- No modificar ni intentar reparar el aparato o la batería (si aplicable) de forma distinta a lo que se indique en las instrucciones de uso y conservación.

1.) PARA TODOS LOS APARATOS DE JARDINERÍA QUE FUNCIONAN CON BATERÍA:

- No cargar el aparato bajo la lluvia ni en lugares húmedos.
- No utilizar aparatos que funcionan con batería bajo la lluvia. Quitar o desconectar siempre la batería antes de realizar ajustes, limpiar, reparar o transportar el aparato de jardín.

2.) PARA TODOS LOS APARATOS QUE FUNCIONAN CON UNA BATERÍA DESMONTABLE:

- Usar solo el siguiente tipo y tamaño de batería:
 - 18V 1.5Ah PXC batería Li-Ion
 - 18V 2.0Ah PXC batería Li-Ion
 - 18V 2.5Ah PXC batería Li-Ion
 - 18V 3.0Ah PXC batería Li-Ion
 - 18V 4.0Ah PXC batería Li-Ion
 - 18V 3.0Ah PXC Plus batería Li-Ion
 - 18V 4.0Ah PXC Plus batería Li-Ion
 - 18V 5.2Ah PXC Plus batería Li-Ion
 - 18V 4.0Ah/6.0Ah PXC Plus batería Li-Ion
 - 18V 5.0Ah/8.0Ah PXC Plus batería Li-Ion
- No tirar la batería al fuego. La célula puede explotar. Consultar la legislación local en ma-

terial de eliminación de residuos.

- No abrir ni cortar la batería. El electrolito que sale de la misma es corrosivo y puede lesionar los ojos o la piel. Puede ser tóxico si se ingiere.
- Tener cuidado al manipular la batería para no cortocircuitarla con materiales conductivos como anillos, pulseras o llaves. La batería o el conductor se puede sobrecalentar y provocar quemaduras.

3.) EVITAR UN ARRANQUE INVOLUNTARIO: NO INSERTAR LA BATERÍA MIENTRAS SE TIENE EL DEDO EN EL INTERRUPTOR. ASEGURARSE DE QUE EL INTERRUPTOR ESTÉ EN OFF CUANDO SE INSERTE LA BATERÍA.

ADVERTENCIAS GENERALES DE SEGURIDAD PARA LA BATERÍA

- Desechar la batería usada a tiempo y de manera adecuada. A la hora de desechar células o baterías secundarias, mantener separadas las células o baterías de distintos sistemas electromecánicos.
- Mantener la batería fuera del alcance de los niños y en el embalaje original hasta que estén listas para su uso.
- No meterse nunca la batería en la boca. De ingerirse, ponerse de inmediato en contacto con el centro de toxicología local.
- CUIDADO: la batería que se utiliza en este dispositivo puede conllevar riesgo de incendio o quemadura química si se abusa de ella. Sustituir la batería exclusivamente por otra de la marca Einhell o la marca recomendada. El uso de cualquier otra batería puede conllevar riesgo de incendio o explosión.
- ADVERTENCIA: no utilizar una batería o aparato que esté visiblemente dañado.
- ADVERTENCIA: no modificar ni intentar reparar el aparato ni la batería.
- **LAS BATERÍAS SE TIENEN QUE RECICLAR.**
- No cortocircuitar la célula ni la batería. No guardar las células ni baterías de manera descuidada en una caja o en un cajón donde se puedan cortocircuitar entre sí o por materiales conductivos.
- No someter las células o baterías a choques mecánicos.
- Mantener las células y baterías limpias y secas. Si se ensucian, frotarlas con un paño limpio y seco.
- No mantener las células o baterías secunda-

rias en carga si no se usan.

- Mantener las células y baterías originales. No utilizar un cargador que no se haya facilitado específicamente para usar con el equipo. Las células y baterías secundarias se tienen que cargar antes de su uso. Utilizar siempre el cargador correcto y consultar las instrucciones del fabricante o el manual del equipo para saber cómo cargar correctamente.
- Siempre que sea posible, quitar la batería del equipo cuando no se use.
- Evitar un arranque inesperado. Asegurarse de que el interruptor se encuentre en la posición OFF antes de conectar la batería, alzarla o transportarla. El transporte de aparatos con el dedo en el interruptor o la activación de aparatos energéticos con el interruptor en ON puede provocar accidentes.
- Desconectar la batería del aparato antes de realizar ajustes, cambiar accesorios o almacenar el aparato. Este tipo de medidas de seguridad preventivas sirve para reducir el riesgo de poner en marcha el aparato de manera involuntaria.
- En caso de uso excesivo, es posible que algo de líquido gotee de la batería. Evitar el contacto. En caso de contacto accidental, lavar con agua. Si el líquido entra en contacto con los ojos, buscar atención médica. El líquido que sale de la batería puede causar irritación o quemaduras.
- Encargar el servicio exclusivamente a una persona cualificada que use solo piezas de repuesto idénticas. Solo así se podrá mantener la seguridad del producto.
- **Proteger la batería de la humedad, la lluvia y la humedad ambiental elevada.** La humedad, la lluvia y la humedad ambiental elevada pueden provocar daños peligrosos en las celdas. No cargar ni trabajar nunca con baterías que hayan estado expuestas a la humedad, la lluvia o humedad ambiental elevada, ¡reemplazarlas de inmediato!
- Si el aparato está dotado de una batería extraíble, por motivos de seguridad será preciso extraerla una vez finalizado el trabajo.

INSTRUCCIONES DE SEGURIDAD IMPORTANTES PARA EL CARGADOR

ADVERTENCIA: Este producto puede contener plomo, ftalato u otros productos químicos que según el Estado de California pueden provocar cáncer, malformaciones en el feto u otros daños reproductivos. Lavarse las manos después de utilizarlo.

Peligro!

Lea todas las instrucciones de seguridad e indicaciones. El incumplimiento de dichas instrucciones e indicaciones puede provocar descargas, incendios y/o daños graves. **Guarde todas las instrucciones de seguridad e indicaciones para posibles consultas posteriores.**

Instrucciones generales de seguridad para herramientas eléctricas

El término de "herramienta eléctrica" que se usa en las instrucciones de seguridad se refiere a las herramientas que funcionan en red (con cable de conexión) y con batería (sin cable de conexión).

1. Seguridad en el lugar de trabajo

- a) **Mantener limpia y bien iluminada la zona de trabajo.** *Las zonas de trabajo desordenadas o sin luz pueden conllevar accidentes.*
- b) **No trabajar con este aparato eléctrico en un entorno explosivo en el que se hallen líquidos, gases o polvos inflamables.** *Las herramientas eléctricas generan chispas que pueden inflamar el polvo o los vapores.*
- c) **Mantener alejados a niños y a otras personas fuera del alcance de la herramienta eléctrica.** *Las distracciones pueden hacer perder el control sobre el aparato.*

2. Seguridad eléctrica

- a) **El enchufe del aparato eléctrico debe ser el adecuado para la toma de corriente. El enchufe no debe ser modificado de ningún modo. No emplear adaptadores de enchufe con aparatos eléctricos puestos a tierra.** *Los enchufes sin modificar y las tomas de corriente adecuadas reducen el riesgo de una descarga eléctrica.*
- b) **Evitar el contacto corporal con superficies con toma de tierra como tubos, calefacciones, fogones y frigoríficos.** *Existe un gran riesgo de descarga eléctrica si su cuerpo se halla puesto a tierra.*
- c) **Mantener los aparatos eléctricos alejados de la lluvia o la humedad.** *Si entra agua en el aparato eléctrico existirá mayor riesgo de una descarga eléctrica.*
- d) **No utilizar el cable de forma inadecuada, no utilizarlo para transportar el aparato, colgarlo o retirarlo de la toma de corriente. Mantener el cable alejado del calor, aceites, cantos afilados o partes del aparato en movimiento.** *Los cables dañados o mal enrollados aumentan el riesgo de descarga eléctrica.*

- e) **Si se trabaja con una herramienta eléctrica al aire libre, emplear sólo alargaderas que también sean adecuadas para el exterior.** *El empleo de una alargadera apropiada para trabajos en el exterior reduce el riesgo de descarga eléctrica.*
- f) **Si no se puede evitar tener que utilizar la herramienta eléctrica en un entorno húmedo, utilizar un dispositivo de protección diferencial.** *El uso de un dispositivo de protección diferencial reduce el riesgo de sufrir una descarga eléctrica.*
- 3. Seguridad de personas**
- a) **Prestar atención al trabajo, comprobar lo que se está haciendo y proceder de forma razonable durante el trabajo de una herramienta eléctrica. No emplear la herramienta eléctrica si se está cansado o bajo la influencia de drogas, alcohol o medicamentos.** *Una mínima falta de atención durante el uso de la herramienta eléctrica puede causar lesiones graves.*
- b) **Llevar equipo de protección personal. Llevar siempre gafas protectoras.** *El equipo de protección (como mascarilla antipolvo, calzado de seguridad antideslizante, casco o protección auditiva) usado en las condiciones adecuadas sirve para reducir las lesiones personales.*
- c) **Prevenir un arranque no intencionado. Asegurarse de que el interruptor se encuentre en la posición OFF antes de conectar la herramienta a la fuente eléctrica y/o BATERÍA, alzarla o transportarla.** *El transporte de herramientas eléctricas con el dedo en el interruptor o la activación de herramientas eléctricas con el interruptor en ON puede provocar accidentes.*
- d) **Retirar las herramientas de ajuste o la llave antes de conectar la herramienta eléctrica.** *Una herramienta o llave que se haya olvidado en partes giratorias del aparato puede producir lesiones.*
- e) **Evitar trabajar en una posición corporal inadecuada. Adoptar una posición segura y mantener en todo momento el equilibrio.** *Ello permite controlar mejor la herramienta eléctrica en situaciones inesperadas.*
- f) **Llevar ropa de trabajo adecuada. No llevar ropa holgada ni joyas durante el trabajo. Mantener el cabello, la ropa y los guantes alejados de las piezas en movimiento.** *La ropa holgada, las joyas o los cabellos largos pueden ser atrapados por las*
- g) **Si el aparato permite instalar dispositivos de aspiración y recogida del polvo, es preciso asegurarse de que estén conectados y se empleen de forma correcta.** *La utilización de un aspirador de polvo puede reducir los peligros provocados por el mismo.*
- h) **A pesar de estar muy familiarizado con el uso de las herramientas, no confiarse en exceso ni ignorar las normas de seguridad de la herramienta.** *Un descuido puede conllevar una lesión grave en milésimas de segundo.*
- 4. Empleo y tratamiento de la herramienta eléctrica**
- a) **No sobrecargar el aparato. Usar la herramienta eléctrica específica para cada trabajo.** *Con la herramienta eléctrica adecuada se trabaja mejor y con más seguridad permaneciendo dentro de la potencia indicada.*
- b) **No usar ninguna herramienta eléctrica cuyo interruptor esté defectuoso.** *Una herramienta eléctrica que ya no pueda conectarse o desconectarse conlleva peligros y debe repararse.*
- c) **Desconectar el enchufe de la toma de corriente y/o retirar la batería, si es desmontable, de la herramienta eléctrica antes de realizar cualquier ajuste, cambiar accesorios o almacenarla.** *Este tipo de medidas de seguridad preventivas sirve para reducir el riesgo de poner en marcha la herramienta eléctrica de manera involuntaria.*
- d) **Guardar las herramientas eléctricas que no se usen fuera del alcance de los niños.** **No permitir el uso del aparato a personas que no estén familiarizadas con él o no hayan leído estas instrucciones.** *Las herramientas eléctricas son peligrosas si las usan personas sin experiencia.*
- e) **Realizar el mantenimiento de las herramientas eléctricas y los accesorios. Comprobar que las piezas móviles no estén desajustadas ni atascadas, que las piezas no presenten rotura ni otras condiciones que puedan afectar al funcionamiento de la herramienta eléctrica.** **En caso de que la herramienta eléctrica esté dañada, es preciso que sea reparada antes de utilizarla de nuevo.** *Muchos accidentes se provocan a causa de un mantenimiento deficiente de la herramienta eléctrica.*
- f) **Mantener limpias y afiladas las herramientas de corte.** *Las herramientas de*

corte bien cuidadas con cantos afilados se bloquean con menor frecuencia y pueden manejarse de forma más sencilla.

- g) **Respetar estas instrucciones cuando se desee utilizar la herramienta eléctrica, los accesorios, piezas de recambio, etc. Para ello, tener en cuenta las condiciones de trabajo y la tarea a ejecutar. El uso de herramientas eléctricas para otros fines diferentes a los previstos puede originar situaciones peligrosas.**
- h) **Mantener asas y empuñaduras secas, limpias y libres de aceite y grasa. Las asas y empuñaduras resbaladizas impiden manejar con seguridad y controlar la herramienta en situaciones inesperadas.**

5. Empleo y tratamiento de la herramienta eléctrica

- a) **Cargar la batería sólo en cargadores recomendados por el fabricante. Existe el peligro de incendio si se utiliza un cargador, indicado sólo para un tipo concreto de baterías, para otro tipo de baterías.**
- b) **Utilizar sólo las baterías indicadas para la herramienta eléctrica en cuestión. El uso de otras baterías puede provocar daños y conllevar peligro de incendio.**
- c) **Mantener cualquier batería que no se esté utilizando alejada de grapas, monedas, llaves, clavos, tornillos u otros objetos metálicos pequeños que podrían provocar un puenteo de los contactos. Un cortocircuito entre los contactos de la batería puede tener como consecuencia quemaduras o provocar fuego.**
- d) **Si se utiliza incorrectamente podría salir líquido de la batería. Evitar el contacto con el líquido. En caso de tocar accidentalmente el líquido, lavar la zona afectada con agua. Si el líquido penetra en los ojos, acudir a un médico. El líquido de la batería puede provocar irritaciones en la piel o quemaduras.**
- e) **No utilizar BATERÍAS ni herramientas que estén dañadas o modificadas. Las baterías dañadas o modificadas pueden manifestar comportamientos impredecibles que pueden dar lugar a incendio, EXPLOSIÓN o riesgo de lesión.**
- f) **No exponer una BATERÍA ni herramienta al fuego o a una temperatura excesiva. La exposición al fuego o a una temperatura superior a los 266°F (130°C) puede provocar una explosión.**

- g) **Seguir todas las instrucciones de carga y no cargar la BATERÍA ni herramienta fuera del margen de temperatura especificado en las instrucciones. Una carga inadecuada o a temperaturas fuera del margen especificado puede dañar la batería e incrementar el riesgo de incendio.**

6. Servicio

- a) **Sólo especialistas cualificados deben reparar la herramienta eléctrica, empleando para ello únicamente piezas de repuesto originales. Esta forma de proceder garantiza la seguridad de la herramienta eléctrica.**
- b) **No reparar nunca BATERÍAS dañadas. La reparación de las BATERÍAS dañadas solo la puede llevar a cabo el fabricante o un distribuidor autorizado.**

Instrucciones de seguridad especiales

Con el fin de ofrecerle baterías con la máxima densidad de energía, larga duración y seguridad, prestamos el mayor cuidado en su montaje. Las celdas de la batería disponen de dispositivos de seguridad de varios niveles. En primer lugar se asigna el formato a cada celda y se registran sus características eléctricas. A continuación, estos datos se utilizan para agrupar las celdas y crear la mejores baterías. **A pesar de todas las medidas de seguridad, siempre es necesario tener precaución al utilizar baterías. Para un funcionamiento seguro es obligatorio tener en cuenta los siguientes puntos.**

¡El funcionamiento seguro sólo está garantizado si las celdas no están dañadas! Un manejo inadecuado puede dañar las celdas.

¡Atención! Los análisis confirman que un uso y un cuidado inadecuados son la principal causa de los daños provocados por baterías de alta potencia.

Advertencias sobre la batería

1. La batería del aparato no se suministra cargada. Antes de la primera puesta en marcha, es preciso recargarla por completo.
2. ¡Para que la batería trabaje de forma óptima evitar ciclos de descarga prolongados! Recargar la batería con frecuencia.
3. Guardar la batería en un lugar fresco, lo ideal son 59°F (15°C), y como mínimo cargada al 40%.
4. Las baterías de iones de litio están sujetas a un desgaste natural. ¡La batería debe ser sustituida como muy tarde cuando su rendimiento sea menor al 80% respecto a su

estado cuando era nueva! Las celdas deterioradas de un conjunto de baterías envejecido no cumplen con los altos requisitos de rendimiento, representando un riesgo para la seguridad.

5. No tirar las baterías usadas al fuego. ¡Peligro de explosión!
6. No prender la batería ni exponerla al fuego.
7. **¡Evitar una descarga total de las baterías!** Este tipo de descarga daña las celdas de la batería. La causa más frecuente de la descarga total de la batería es el largo almacenamiento o la no utilización de baterías parcialmente descargadas. Terminar el trabajo en cuanto se aprecie que la potencia disminuye o se activa el sistema electrónico de protección. Almacenar la batería sólo tras haberla cargado completamente.
8. **¡Proteger las baterías y el aparato contra sobrecarga!** La sobrecarga conduce rápidamente a un sobrecalentamiento y daño de las celdas del interior de la carcasa de batería, sin que el sobrecalentamiento se perciba externamente.
9. **¡Evitar daños y golpes!** Sustituir inmediatamente las baterías que hayan caído desde una altura superior a un metro o que hayan sufrido golpes fuertes, incluso aunque la carcasa de la batería no parezca dañada. Las celdas que se encuentren en su interior podrían estar gravemente dañadas. Tener en cuenta también las indicaciones de eliminación.
10. En caso de sobrecarga y sobrecalentamiento, el circuito de protección integrado desconecta el aparato por motivos de seguridad. **¡Atención!** Dejar de pulsar el interruptor On/Off cuando el circuito de protección haya desconectado el aparato. Podría dañar la batería.
11. Utilizar exclusivamente baterías originales. El uso de otras baterías puede provocar daños, así como explosión y peligro de incendio.
12. **Proteger la batería de la humedad, la lluvia y la humedad ambiental elevada.** La humedad, la lluvia y la humedad ambiental elevada pueden provocar daños peligrosos en las celdas. No cargar ni trabajar nunca con baterías que hayan estado expuestas a la humedad, la lluvia o humedad ambiental elevada, ¡reemplazarlas de inmediato!
13. Si el aparato está dotado de una batería extraíble, por motivos de seguridad será preciso extraerla una vez finalizado el trabajo.

Advertencias sobre el cargador y el proceso de carga

1. Observar los datos indicados en la placa de identificación del cargador. Conectar el cargador sólo a la tensión nominal indicada en la placa de características.
2. Proteger el cargador y el cable de daños y cantos afilados. Los cables dañados deben ser cambiados exclusivamente por un electricista profesional.
3. Mantener el cargador, las baterías y el aparato fuera del alcance de niños.
4. No emplear cargadores dañados.
5. No emplear el cargador suministrado para cargar otros aparatos a batería.
6. La batería se calienta bajo condiciones extremas de aplicación. Dejar que la batería se enfríe hasta alcanzar la temperatura ambiental antes de empezar a cargar.
7. **¡No cargar demasiado las baterías!** Respetar los tiempos de carga máximos. Estos tiempos de carga se aplican únicamente a baterías descargadas. Si una batería cargada o parcialmente cargada se conecta varias veces al cargador se produce una sobrecarga y un daño de las celdas. No dejar las baterías varios días en el cargador.
8. **No utilizar ni cargar nunca baterías si se tiene la sospecha de que la última carga de la batería puede haberse realizado hace más de 12 meses.** Existe una alta probabilidad de que la batería ya esté gravemente dañada (descarga total).
9. Cargar la batería a una temperatura de menos de 50°F (10°C) provoca daños químicos en las celdas y puede conllevar peligro de incendio.
10. No utilizar baterías que se hayan calentado durante la carga, ya que sus celdas podrían dañarse peligrosamente.
11. Dejar de usar baterías que se hayan deformado o abombado durante la carga, o aquellas que presenten síntomas inusuales (desprendimiento de gases, zumbidos, chasquidos,...)
12. No descargar la batería por completo (nivel de descarga recomendado: máx. 80%). La descarga total provoca un envejecimiento prematuro de las celdas de la batería.
13. ¡No cargar nunca las baterías sin supervisión!

Protección contra influencias ambientales

1. Ponerse ropa de trabajo adecuada. Ponerse gafas de protección.
2. **Proteger el aparato y el cargador de la humedad y la lluvia.** Éstas podrían provocar

- daños peligrosos en las celdas.
- No utilizar el aparato y el cargador cerca de vapores y líquidos inflamables.
 - Utilizar el cargador y el aparato a batería sólo si están secos y a una temperatura ambiente de 50°F-104°F (10-40 °C).
 - No guardar la batería en lugares que puedan alcanzar una temperatura superior a 104°F (40 °C), especialmente no en un vehículo aparcado al sol.
 - ¡Proteger las baterías contra un sobrecalentamiento!** La sobrecarga, carga excesiva o la radiación solar conducen a un sobrecalentamiento y al daño de las celdas. No cargar ni trabajar en ningún caso con baterías que se hayan sobrecalentado. Sustituirlas inmediatamente.
 - Almacenamiento de baterías, cargadores y del aparato.** Guardar siempre el cargador y el aparato en habitaciones secas con una temperatura ambiente de 50°F-104°F (10-40°C). Guardar la batería de iones de litio en un lugar fresco y seco a 50°F-68°F (10-20°C). ¡Proteger de la humedad ambiental y de la radiación solar! Guardar las baterías únicamente cuando estén cargadas (mín. al 40%).
 - Evitar que la batería de iones de litio se hielan. Deshacerse de las baterías que hayan estado guardadas a 32°F (0°C) durante más de 60 minutos.
 - Llevar cuidado con la carga electrostática al manipular baterías: las descargas electrostáticas provocan daños en el sistema electrónico de protección y las celdas de la batería. ¡Evitar por ello la carga electrostática y no tocar nunca los polos de la batería!

Precaución y eliminación de la batería

Eliminación

Si su artefacto necesita ser reemplazado luego de un uso prolongado, no lo arroje a la basura doméstica. Hágalo de una forma ecológica y segura.



Los desechos producidos por máquinas eléctricas no deben ser manipulados como basura doméstica común. Reciclelos donde hayan emplazamientos de reciclaje.

Consulte con las autoridades o tienda minorista de su localidad para obtener información sobre reciclaje.

Deshágase de su batería de acuerdo con los reglamentos federales, estatales y locales. Para encontrar lugares de reciclaje, comuníquese con un servicio de reciclaje en su localidad.

⚠ ¡PRECAUCIÓN! Incluso las baterías descargadas contienen algo de energía. Antes de deshacerse de éstas, use cinta aislante para cubrir los terminales y evitar que la batería haga cortocircuito, lo cual puede causar una explosión o incendio.

⚠ ¡ADVERTENCIA! Para reducir el riesgo de lesiones personales o explosión, nunca quemar o incinerar una batería incluso si está dañada, inservible o completamente descargada. Al ser quemada, los humos y materiales tóxicos son emitidos a la atmósfera circundante.

- Las baterías varían de acuerdo al dispositivo. Consulte su manual para obtener la información específica.
- Instale solo nuevas baterías del mismo tipo en su producto (donde corresponda).
- No insertar las baterías con la polaridad correcta, tal como se indica en el compartimiento de la batería o en el manual, puede reducir el ciclo de vida útil de las baterías o causar fugas en las baterías.
- No combine baterías nuevas con antiguas.
- No combine baterías alcalinas, estándar (de zinc-carbono) o recargables (de níquel-cadmio, de níquel-hidruro metálico o de iones de litio).
- No arroje las baterías al fuego. Pueden llegar a explotar.
- Las baterías deben ser recicladas o desechadas según los reglamentos locales y estatales.

Para el envío o la eliminación de baterías o del aparato, estos deben embalarse por separado en bolsas de plástico para evitar cortocircuitos o incendios.

ADVERTENCIA: no opere cerca de líneas eléctricas. La unidad no ha sido diseñada para brindar protección contra descargas eléctricas en caso de contacto con líneas eléctricas aéreas. Consulte las normas locales para conocer las distancias seguras de las líneas eléctricas aéreas y asegúrese de que la posición de operación sea segura antes de operar la motosierra.

Advertencias de seguridad pértigas de poda

- Mantener todas las partes del cuerpo alejadas de la cadena de la sierra. No retirar el material cortado ni sostener material para cortarlo cuando las cuchillas estén en movimiento. Asegurarse de que el interruptor esté apagado antes de retirar material atascado.

La cadena de la sierra sigue moviéndose después de apagar el interruptor. Cualquier descuido mientras se opera la pértiga puede tener como consecuencia graves lesiones personales.

- 2) Transportar la pértiga de poda por el asa con la cadena de la sierra parada. A la hora de transportar o almacenar la pértiga de poda, poner siempre la cubierta protectora en la cadena. Si se manipula de manera adecuada, se reduce la posibilidad de sufrir lesiones personales provocadas por la cadena de la sierra.
- 3) Sujetar la pértiga de poda solo por las superficies con revestimiento aislante puesto que la cadena puede toparse con cableado oculto o su propio cable. Una cadena de la sierra que entre en contacto con cables con corriente puede hacer que las partes metálicas al descubierto de la herramienta eléctrica le provoquen una descarga eléctrica al usuario. Excepción: omitir "o su propio cable" en caso de aparatos inalámbricos operados con batería.
- 4) No utilizar la pértiga de poda cuando haga mal tiempo, especialmente si hay riesgo de relámpagos. Así se reduce el riesgo de ser alcanzado por un rayo.
- 5) Para reducir el riesgo de electrocutarse, no utilizar nunca la herramienta en las inmediaciones de cables eléctricos. El contacto o el uso en las inmediaciones de cables eléctricos puede provocar lesiones graves o una electrocución con consecuencias fatales.
- 6) Utilizar siempre las dos manos para operar la pértiga de poda. Sujetar la pértiga de poda con las dos manos para evitar una pérdida de control.
- 7) Llevar siempre casco cuando se utilice la pértiga de poda a alturas por encima de la cabeza. Los escombros que van cayendo pueden provocar lesiones personales graves.

Este aparato no ha sido concebido para ser utilizado por personas (incluyendo niños) cuyas capacidades estén limitadas física, sensorial o psíquicamente, o que no dispongan de la experiencia y/o los conocimientos necesarios. Las personas aptas deberán recibir formación o instrucciones necesarias sobre el funcionamiento del aparato por parte de una persona responsable para su seguridad. Vigilar a los niños para asegurarse de que no jueguen con el aparato.

GUARDE ESTAS INSTRUCCIONES

Explicación de los símbolos (fig. 24):

1. ¡Aviso!
2. Leer el manual de instrucciones de uso antes de la puesta en marcha
3. Llevar protección para cabeza y oídos
4. Llevar protección para oídos!
5. Llevar calzado resistente.
6. Peligro de muerte por descarga eléctrica. ¡La distancia con respecto a los cables eléctricos debe ser de como mínimo 33 ft (10 m)!
7. Llevar guantes de protección
8. Mantenga sus manos alejadas de la hoja
9. Tener cuidado con las piezas que se caen o salen despedidas.
10. Mantenerse alejado.
11. Proteger el aparato de la lluvia o la humedad.
12. Dirección del movimiento de la cadena y de los dientes de la cadena pértiga de poda
13. Longitud de corte máxima pértiga de poda

2. Descripción del aparato y volumen de entrega

2.1 Descripción del aparato

1. Interruptor ON/OFF
2. Bloqueo del interruptor
3. Correa de transporte con desbloqueo de seguridad
4. Soporte de la correa de transporte
5. Superficie de agarre
6. Tuerca retén
7. Tubo de empalme
8. Eje del engranaje
9. Tapa del depósito de aceite
10. Unidad de motor (unidad con tubo)
11. Tubo de prolongación
12. Cuchilla
13. Cadena de la sierra
14. Protección de la espada
15. Llave para la motosierra de altura
16. Mosquetón
17. Soporte de la correa de transporte
18. Piñón
19. Bulón tensor de la cadena
20. Tornillo tensor de la cadena
21. Tornillos de montaje
22. Empuñadura
23. Depósito de aceite
24. Tuerca de mariposa
25. Dispositivo de retención
26. Pulsador para indicar la capacidad de batería

27. Indicador de capacidad de batería

2.2 Volumen de entrega

Sirviéndose de la descripción del volumen de entrega, comprobar que el artículo esté completo. Si faltase alguna pieza, dirigirse a nuestro Service Center o a la tienda especializada más cercana en un plazo máximo de 5 días laborales tras la compra del artículo presentando un recibo de compra válido.

- Abrir el embalaje y extraer cuidadosamente el aparato.
- Retirar el material de embalaje, así como los dispositivos de seguridad del embalaje y para el transporte (si existen).
- Comprobar que el volumen de entrega esté completo.
- Comprobar que el aparato y los accesorios no presenten daños ocasionados durante el transporte.
- Si es posible, almacenar el embalaje hasta que transcurra el periodo de garantía.

Peligro!

¡El aparato y el material de embalaje no son un juguete! ¡No permitir que los niños jueguen con bolsas de plástico, láminas y piezas pequeñas! ¡Riesgo de ingestión y asfixia!

- Unidad de motor (unidad con tubo)
- Tubo de prolongación
- Correa de transporte con desbloqueo de seguridad
- Cadena de la sierra
- Espada
- Protección de la espada
- Llave para la motosierra de altura
- Manual de instrucción original con instrucción de seguridad

3. Uso adecuado

La motosierra inalámbrica de altura ha sido concebida para realizar trabajos de desramado. No resulta adecuada para extensos trabajos de corte ni para talar árboles, así como tampoco para cortar otros materiales que no sean madera.


Utilizar la máquina sólo en los casos que se indican explícitamente como de uso adecuado. Cualquier otro uso no será adecuado. En caso de uso inadecuado, el fabricante no se hace responsable de daños o lesiones de cualquier tipo; el respon-

sable es el usuario u operario de la máquina.

Tener en consideración que nuestro aparato no está indicado para un uso comercial, industrial o en taller. No asumiremos ningún tipo de garantía cuando se utilice el aparato en zonas industriales, comerciales o talleres, así como actividades similares.

¡Aviso! Esta herramienta eléctrica genera un campo electromagnético durante su funcionamiento. En determinadas circunstancias, este campo podrá afectar a los posibles implantes médicos activos o pasivos. Para reducir el peligro de lesiones graves o incluso mortales, recomendamos a las personas que lleven este tipo de implantes que consulten a su médico y al fabricante del implante antes de operar la máquina.

4. Características técnicas

Alimentación de tensión de motor: 18V 
 Longitud de barra-guía de cadena: 8" (20 cm)
 Paso de la cadena: 3/8" (9.5 mm), 33 dientes
 Grosor de cadena: 0.043" (1.1 mm)
 Cadena de la sierra: Oregon 90PX033X
 Cuchilla: Oregon 084LNEA041
 Velocidad de corte
 a velocidad nominal: 18.04 ft./sec. (5.5 m/s)
 Capacidad del tanque de aceite: 2.36 fl oz (70 ml)
 Peso (solo herramienta): 7.38 lb (3.35 kg)

Accesorios disponibles por separado

18V 1.5Ah PXC batería Li-Ion
 18V 2.0Ah PXC batería Li-Ion
 18V 2.5Ah PXC batería Li-Ion
 18V 3.0Ah PXC batería Li-Ion
 18V 4.0Ah PXC batería Li-Ion
 18V 3.0Ah PXC Plus batería Li-Ion
 18V 4.0Ah PXC Plus batería Li-Ion
 18V 5.2Ah PXC Plus batería Li-Ion
 18V 4.0Ah/6.0Ah PXC Plus batería Li-Ion
 18V 5.0Ah/8.0Ah PXC Plus batería Li-Ion
 18V PXC cargador rápido de doble Puerto
 18V PXC cargador rápido

Comuníquese con su distribuidor local para obtener modelos más específicos de baterías y cargadores disponibles en su área. Explorar las opciones de batería y cargador en einhell.com.

Usar protección para los oídos.

La exposición al ruido puede ser perjudicial para el oído.

¡Reducir la emisión de ruido y las vibraciones al mínimo!

- Emplear sólo aparatos en perfecto estado.
- Realizar el mantenimiento del aparato y limpiarlo con regularidad.
- Adaptar el modo de trabajo al aparato.
- No sobrecargar el aparato.
- En caso necesario dejar que se compruebe el aparato.
- Apagar el aparato cuando no se esté utilizando.
- Llevar guantes.

Cuidado!**Riesgos residuales**

Incluso si esta herramienta se utiliza adecuadamente, siempre existen riesgos residuales.

En función de la estructura y del diseño de esta herramienta eléctrica pueden producirse los siguientes riesgos:

1. Lesiones pulmonares en caso de que no se utilice una mascarilla de protección antipolvo.
2. Lesiones auditivas en caso de que no se utilice una protección para los oídos adecuada.
3. Daños a la salud derivados de las vibraciones de las manos y los brazos si el aparato se utiliza durante un largo periodo de tiempo, no se sujeta del modo correcto o si no se realiza un mantenimiento adecuado.

5. Antes de la puesta en marcha**¡Aviso!**

Quitar siempre la batería antes de realizar ajustes en el aparato.

¡Peligro!

No instalar la batería hasta que el aparato esté completamente montado.

Usar siempre guantes de protección y utilizar los cubrecuchillas suministrados cuando se trabaje en el aparato para evitar lesiones.

Antes de cualquier puesta en marcha, comprobar:

- Que los dispositivos de protección y el dispositivo de corte se hallen en perfecto estado y con todas las piezas
- Que todos los tornillos estén bien apretados

- Que todas las piezas móviles marchen suavemente

5.1 Montaje de la correa de transporte (fig. 3)

Enganchar el mosquetón (pos. 16) de la correa de transporte (pos. 3) en el soporte de la correa (pos. 4). Ajustar la posición óptima de la correa sirviéndose del dispositivo de ajuste de la correa. Si es necesario, el soporte de la correa (pos. 4) se puede desplazar por el mango. Para ello, soltar la tuerca de mariposa (fig. 2/pos. 24) en el soporte de la correa, desplazar el soporte y volver a apretar la tuerca de mariposa.

5.2 Montaje del tubo de prolongación en la unidad de motor (fig. 9-12)

Advertencia: Se pueden montar todos los módulos con o sin tubo de prolongación (fig. 2/pos. 11) en función de la altura de trabajo deseada.

Asegurarse de que los tornillos de montaje (pos. 21) estén en el mismo lado e insertar el tubo de prolongación (pos. 11) en el tubo de la unidad de motor (pos. 10). Atornillar los dos tubos con la tuerca retén (pos. 6). La unidad de motor está atornillada al tubo de prolongación (pos. 12). El desmontaje se lleva a cabo realizando la misma secuencia pero en sentido contrario.

Montaje/ajustes motosierra de altura

¡Peligro! No instalar la batería hasta que la motosierra de altura esté completamente montada y se haya ajustado la tensión de la cadena. Llevar siempre puestos guantes de protección al efectuar trabajos en la motosierra de altura a fin de evitar lesiones. Utilizar la protección de la espada (fig. 2/pos. 14)

5.3 Montaje de la espada y la cadena de la sierra (fig. 4-6)

1. Con la llave para la motosierra de altura (pos. 15), retirar el tornillo de fijación para la cubierta de la rueda de la cadena (pos. 8).
2. Extraer la cubierta de la rueda de la cadena.
3. Colocar la cadena de la sierra (pos. 13) en la ranura circular de la espada (pos. 12).
4. Colocar la espada (pos. 12) y la cadena de la sierra (pos. 13) en el alojamiento de la motosierra de altura. Poner la cadena de la sierra alrededor del piñón (pos. 18) y colgar la espada en el bulón tensor de la cadena (pos. 19).
5. Montar la cubierta de la rueda de la cadena y apretar a mano el tornillo de fijación.

Advertencia: No apretar definitivamente el tornillo de fijación hasta que la tensión de la cadena haya sido ajustada (ver punto 5.4).

5.4 Cómo tensar la cadena de la sierra (fig. 7-8)

1. Soltar un poco el tornillo de fijación para la cubierta de la rueda de la cadena (utilizar la llave para la motosierra de altura).
2. Ajustar la tensión de la cadena de la sierra con la llave para la motosierra de altura (pos. 15) a través del tornillo tensor de la cadena (pos. 20). Si se gira a la derecha se aumenta la tensión, a la izquierda se disminuye. La cadena de la sierra presenta la tensión correcta si se puede elevar en el centro de la espada aprox. 2 mm.
3. Apretar el tornillo de fijación para la cubierta de la rueda de la cadena (utilizar la llave para la motosierra de altura).

¡Peligro! Todos los eslabones de la cadena han de alojarse correctamente en la ranura guía de la espada.

Instrucciones para tensar la cadena:

La cadena de la sierra ha de estar tensada correctamente a fin de garantizar un funcionamiento seguro. Se sabe que la tensión es la óptima si la cadena se puede elevar en el centro de la espada aprox. $\frac{1}{16}$ " (2 mm) (fig. 8). Ya que la cadena de la sierra se calienta al serrar, modificándose así su longitud, es preciso comprobar su tensión como mínimo cada 10 minutos y regularla según sea necesario. Esto es especialmente importante para las cadenas de sierra nuevas. Destensar la cadena de la sierra al terminar de trabajar, ya que ésta se acorta al enfriarse. De este modo se evita que se dañe la cadena.

5.5 Lubricación de la cadena de la sierra

¡Advertencia! (Fig. 14) Nunca operar la cadena sin aceite para cadena de sierra. ¡El uso de la motosierra de altura sin aceite de cadena o con un nivel de aceite por debajo de la marca del mínimo provoca daños en la motosierra inalámbrica de altura!

¡Advertencia! Tener en cuenta las condiciones térmicas:

Las distintas temperaturas del ambiente requieren lubricantes con una viscosidad de lo más variado. A bajas temperaturas se requieren aceites muy fluidos (baja viscosidad) para crear la película lubricante necesaria. Ahora bien, si se utiliza el

mismo aceite en época de verano, éste seguiría fluidificándose por la simple acción de las altas temperaturas. De este modo puede desprenderse la película lubricante, sobrecalentarse la cadena y dañarse. Asimismo, el aceite lubricante se quema, provocando una innecesaria emisión de contaminantes.

Llenado del depósito de aceite (fig. 14)

1. Depositar la motosierra de altura sobre una superficie plana.
2. Limpiar el área alrededor de la tapa del depósito de aceite (pos. 9) y retirarlo.
3. Llenar el depósito (pos. 23) con aceite para cadena de sierra. Asegurarse de que no penetre suciedad en el depósito para que la tobera del aceite no se atasque.
4. Volver a enroscar la tapa del depósito de aceite (pos. 9).

5.6 Montaje de la batería (fig. 15)

Introducir la batería en el alojamiento previsto para ello. Cuando la batería está bien introducida, se escucha que se enclava. Para retirar la batería, pulsar el dispositivo de retención (pos. 25) y extraerla.

5.7 Cómo cargar la batería de litio (no incluido en el volumen de entrega)

Las instrucciones correspondientes se encuentran en el manual de instrucciones original del cargador.

5.8 Indicador de capacidad de batería (fig. 16/pos. 27)

Pulsar el interruptor para acceder al indicador de capacidad de la batería (26). El indicador de capacidad de batería (27) le indica el estado de carga de la batería sirviéndose de 3 LEDs.

Los 3 LED están iluminados:

La batería está completamente cargada.

2 o 1 LED están iluminados

La batería dispone de suficiente carga residual.

1 LED parpadea:

La batería está vacía, es preciso cargarla.

Si todos los LED parpadean:

La temperatura de la batería es demasiado baja. Quitar la batería del aparato y dejarla durante un día a temperatura ambiente. Si vuelve a aparecer el fallo, la batería se ha descargado completamente y está defectuosa. Quitar la batería del

aparato. Está prohibido emplear o cargar una batería defectuosa.

6. Funcionamiento

Respetar las disposiciones legales vigentes sobre la emisión de ruidos en el lugar de uso (pueden variar según el lugar).

6.1 Cómo colocarse la correa de sujeción para el hombro (fig. 17-18)

¡Atención! Llevar siempre una correa de sujeción para el hombro al trabajar con la sierra. Apagar siempre el aparato antes de quitarse la correa de sujeción para el hombro. Existe peligro de sufrir lesiones.

1. Colocarse la correa de sujeción (pos. 3) sobre el hombro.
2. Ajustar la longitud de la correa de forma que la sujeción de la misma se halle a la altura de la cadera.
3. La correa de sujeción para el hombro está dotada de una hebilla. Si se necesita dejar rápidamente el aparato, presionar los ganchos.

6.2 Conexión/desconexión

Conexión (fig. 19)

- Sujetar el aparato con una mano por la empuñadura (pos. 22), y con la otra por la superficie de agarre (pos. 5).
- Pulsar el bloqueo del interruptor (pos. 2) y, a continuación, el interruptor ON/OFF (pos. 1).

Desconexión (fig. 19)

Soltar el interruptor ON/OFF (pos. 1).

7. Cómo trabajar

¡Peligro! Trabajar solo con el aparato completamente montado.

Usar siempre guantes de protección y utilizar los cubrecuchillas suministrados cuando se trabaje en el aparato para evitar lesiones.

7.1 Cómo trabajar con la motosierra inalámbrica de altura

Preparación

Antes de cada uso, comprobar los siguientes puntos para poder trabajar de forma segura: Estado de la motosierra inalámbrica de altura

Revisar la motosierra inalámbrica de altura antes de comenzar a trabajar para comprobar si existen daños en la carcasa, la cadena de la sierra y la espada. No poner nunca en marcha un aparato que presente daños evidentes.

Depósito de aceite

Comprobar el nivel de llenado del depósito de aceite. Comprobar también durante el trabajo que siempre haya aceite suficiente. Jamás se operará la sierra sin aceite o si el nivel del mismo desciende por debajo de la marca del mínimo para evitar que se dañe la motosierra inalámbrica de altura. Un llenado suele bastar para trabajar unos 15 minutos, variando en función de las pausas y de la carga.

Cadena de la sierra

Comprobar la tensión de la cadena de la sierra y el estado de los filos. Cuanto más afilada esté la cadena de la sierra, más controlable y fácil de operar será la motosierra inalámbrica de altura. Lo mismo sucede con la tensión de la cadena. ¡Por su seguridad, comprobar también durante el trabajo la tensión de la cadena como mínimo cada 10 minutos! En particular, las cadenas de sierra nuevas tienden a sufrir una mayor dilatación.

Ropa de protección

Es imprescindible llevar puesta la correspondiente indumentaria de protección ajustada al cuerpo como, p. ej., pantalones protectores para cortar, unos guantes y calzado de seguridad.

Llevar protección auditiva y gafas protectoras.

Llevar un casco protector con protección integrada para los oídos y la cara. Dicho casco ofrece protección frente a ramas que caigan y tallos que reboten.

Trabajar de forma segura

- Para garantizar la seguridad durante el trabajo se ha prescrito un ángulo de máx. 60°.
- No colocarse nunca debajo de la rama a cortar.
- Cuidado a la hora de cortar ramas que se hallen bajo tensión o madera con tendencia a astillarse.
- ¡Posible riesgo de sufrir lesiones por ramas que se caen y piezas de madera que salen despedidas!
- Mantener alejados de la zona de peligro a personas y animales cuando la máquina esté

funcionando.

- El aparato no está protegido contra descargas eléctricas al entrar en contacto con cables de alta tensión. Mantener una distancia mínima de 33 pies (10 metros) con respecto a posibles cables eléctricos. ¡Peligro de muerte por descarga eléctrica!
- En caso de pendiente, colocarse siempre por encima o al lado de la rama que se va a cortar.
- Mantener el aparato lo más pegado posible al cuerpo. Así se consigue el mejor equilibrio.

Técnicas de corte

- A la hora de desramar, mantener el aparato en un ángulo de máx. 60° con respecto a la horizontal para no ser golpeado por una rama que caiga (fig. 20).
- Cortar primero las ramas inferiores del árbol. De esta forma se permite que las ramas cortadas caigan mejor.
- Una vez finalizado el corte, aumenta de forma considerable el peso de la sierra para el usuario, ya que deja de estar apoyada en una rama. Existe peligro de perder el control de la sierra.
- Retirar la sierra del corte solo con la cadena de la sierra en marcha. De esta forma se evita que se quede enganchada.
- No cortar con la punta de la cuchilla.
- No cortar ramificaciones gruesas. Ello impide que se curen las heridas del árbol.

Cortar ramas más pequeñas (fig. 21):

Colocar la superficie de tope de la sierra junto a la rama. Ello evita que la sierra se mueva de forma brusca al comenzar el corte. Guiar la sierra ejerciendo una ligera presión de arriba hacia abajo a través de la rama.

Cortar ramas más grandes y más largas (fig. 22):

Realizar un corte de descarga en caso de ramas más grandes.

Cortar primero con la parte superior de la cuchilla, de abajo hacia arriba, 1/3 del diámetro de la rama (punto 1.). Cortar a continuación con la parte inferior de la cuchilla, de arriba hacia abajo, en dirección al primer corte (punto 2.). Cortar ramas largas en trozos más cortos para tener un mejor control de dónde van a caer.

Contragolpe

Por contragolpe se entiende la sacudida súbita hacia arriba y hacia atrás de la motosierra de

altura en marcha. Las causas suelen ser que la pieza de trabajo entre en contacto con el extremo de la cuchilla o que la cadena de la sierra quede atascada.

En caso de contragolpe, entran en juego fuerzas de gran magnitud. Por ello, la motosierra inalámbrica de altura suele reaccionar de forma incontrolada. La consecuencia más frecuente consiste en lesiones de máxima gravedad en el trabajador o de las personas que se hallen en las inmediaciones. El riesgo de que se produzca un contragolpe aumenta especialmente cuando se empieza una incisión con el extremo de la cuchilla, ya que la acción de palanca alcanza en dicho punto su máxima fuerza. Colocar la sierra por ello siempre lo más plana posible.

¡Aviso!

- ¡Asegurar que la tensión de la cadena siempre sea la correcta!
- Utilizar solo una motosierra inalámbrica de altura en perfecto estado.
- ¡Trabajar solamente con una cadena de la sierra afilada de forma reglamentaria!
- ¡No serrar jamás con el canto superior o el extremo de la cuchilla!
- ¡Sujetar siempre con firmeza la motosierra inalámbrica de altura con las dos manos!

Serrar madera sometida a tensión

Serrar madera que se encuentre sometida a tensión requiere especial cuidado. La madera bajo tensión que quede liberada de dicha fuerza al serrarla reacciona en ocasiones de forma completamente incontrolada. Ello puede provocar lesiones muy graves y hasta incluso mortales. Dichos trabajos solo podrán ser llevados a cabo por especialistas debidamente formados.

8. Mantenimiento y limpieza

Peligro!

Desenchufar la batería antes de realizar trabajos de mantenimiento o de limpieza.

Limpieza general

- Limpiar con regularidad el mecanismo tensor mediante aire comprimido o con un cepillo. No utilizar ningún tipo de herramientas para retirar las impurezas.
- Mantener las empuñaduras limpias de aceite para sujetar siempre con un agarre seguro.
- Bajo ningún pretexto se sumergirá el aparato

- ni en agua ni en otro tipo de líquidos.
- Quitar la suciedad en las cubiertas de protección con ayuda de un cepillo.
- Reducir al máximo posible la suciedad y el polvo en los dispositivos de seguridad, las rendijas de ventilación y la carcasa del motor. Frotar el aparato con un paño limpio o soplarlo con aire comprimido manteniendo la presión baja.
- Se recomienda limpiar el aparato tras cada uso.
- Limpiar el aparato con regularidad con un paño húmedo y un poco de jabón blando. No utilizar productos de limpieza o disolventes ya que se podrían deteriorar las piezas de plástico del aparato. Es preciso tener en cuenta que no entre agua en el interior del aparato. Si entra agua en el aparato eléctrico existirá mayor riesgo de una descarga eléctrica.

Mantenimiento general

No es preciso realizar el mantenimiento de otras piezas en el interior del aparato.

Para mantener el aparato en buen estado de funcionamiento, revisarlo regularmente de acuerdo con las siguientes instrucciones de mantenimiento. Utilizar solo piezas de repuesto y accesorios autorizados por el fabricante. Consultar para ello la información en el apartado 8.6 Pedido de piezas de repuesto. El uso de piezas de repuesto y accesorios no aprobados puede provocar lesiones graves.

8.1 Mantenimiento de la motosierra de altura

Utilizar solo cadenas de sierra y espadas autorizadas por el fabricante. Se encuentran en el apartado 4 "Características técnicas" o están disponibles como accesorios (véase el apartado 8.6 "Pedido de piezas de repuesto"). El uso de piezas de repuesto no aprobadas por el fabricante puede provocar lesiones graves.

Sustitución de la cadena de la sierra y de la espada

Cambiar la espada siempre que la ranura guía de la misma presente desgaste. Para ello, proceder como se indica en el capítulo "Montaje de la espada y de la cadena de la sierra".

Comprobación de la lubricación automática de la cadena

Comprobar con regularidad la operatividad de la lubricación automática de la cadena con el fin de evitar el sobrecalentamiento y los daños

asociados de la cuchilla y la cadena de la sierra. A tal efecto, dirigir el extremo de la espada contra una superficie lisa (tabla, incisión de un árbol) y hacer funcionar la motosierra de altura. Si aparece un rastro de aceite cada vez mayor durante el proceso, entonces la lubricación automática de la cadena funciona a la perfección. Si no aparece ningún rastro claro de aceite, leer las instrucciones correspondientes que aparecen en el capítulo "Plan para localización de averías". Si tampoco sirven de ayuda dichas instrucciones, será preciso dirigirse a nuestro servicio posventa o a un taller similar especializado.

¡Peligro! No tocar la superficie durante el proceso. Mantener la suficiente distancia de seguridad (aprox. 20 cm).

Cómo afilar la cadena de la sierra

Solo es posible llevar a cabo un trabajo efectivo con la motosierra inalámbrica de altura si la cadena de la sierra se encuentra en óptimas condiciones y está afilada. De este modo también se reduce el riesgo de contragolpe.

La cadena de la sierra puede afilarse en cualquier distribuidor especializado. No intente afilar usted mismo la cadena de la sierra si no dispone de la herramienta apropiada, así como de la experiencia necesaria.

9. Eliminación y reciclaje

El aparato está protegido por un embalaje para evitar daños producidos por el transporte. Este embalaje es materia prima y, por eso, se puede volver a utilizar o llevar a un punto de reciclaje. El aparato y sus accesorios están compuestos de diversos materiales, como, p. ej., metal y plástico. Los aparatos defectuosos no deben tirarse a la basura doméstica. Para su eliminación adecuada, el aparato debe entregarse a una entidad recolectora prevista para ello. En caso de no conocer ninguna, será preciso informarse en el organismo responsable del municipio.

10. Almacenamiento y transporte

Guardar el aparato y sus accesorios en un lugar oscuro, seco, protegido de las heladas e inaccesible para los niños. La temperatura de almacenamiento óptima se encuentra entre los 41°F y 86°F (5 y 30 °C). Guardar la herramienta eléctrica en su embalaje original.

Sólo está permitido copiar la documentación y documentos anexos del producto, o extractos de los mismos, con autorización expresa de Einhell Germany AG.

Nos reservamos el derecho a realizar modificaciones técnicas

11. Plan para localización de averías

¡Peligro!

Antes de la localización de averías es preciso apagar el aparato y quitar la batería.

En la siguiente tabla se describen posibles fallos en la máquina y se ofrecen soluciones para su eliminación. Si no se puede localizar ni subsanar el problema, será preciso ponerse en contacto con su taller de servicio.

Avería	Posibles causas	Solución
El aparato no funciona	<ul style="list-style-type: none"> - Batería vacía - Batería puesta de forma incorrecta 	<ul style="list-style-type: none"> - Cargar la batería - Sacar la batería y volver a ponerla (véase 5.6)
El aparato trabaja de manera intermitente	<ul style="list-style-type: none"> - Contacto flojo externo - Contacto flojo interno - Interruptor ON/OFF defectuoso 	<ul style="list-style-type: none"> - Buscar un taller especializado - Buscar un taller especializado - Buscar un taller especializado
Cadena de la sierra seca	<ul style="list-style-type: none"> - No hay aceite en el depósito - Purga de aire atascada en el cierre del depósito de aceite - Canal de salida del aceite atascado 	<ul style="list-style-type: none"> - Rellenar aceite - Limpiar cierre del depósito del aceite - Desbloquear canal de salida del aceite
Cadena/riel guía caliente	<ul style="list-style-type: none"> - No hay aceite en el depósito - Purga de aire atascada en el cierre del depósito de aceite - Canal de salida del aceite atascado - Cadena sin afilar - Cadena demasiado tensa 	<ul style="list-style-type: none"> - Rellenar aceite - Limpiar cierre del depósito del aceite - Desbloquear canal de salida del aceite - Volver a afilar la cadena o cambiarla - Comprobar la tensión de la cadena
La motosierra inalámbrica de altura funciona a tirones, vibra o no sierra correctamente.	<ul style="list-style-type: none"> - Cadena demasiado floja - Cadena sin afilar - Cadena desgastada - Los dientes de la sierra miran en la dirección incorrecta 	<ul style="list-style-type: none"> - Ajustar tensión de la cadena - Volver a afilar la cadena o cambiarla - Cambiar cadena - Volver a montar la cadena de la sierra con los dientes mirando en la dirección correcta





www.Einhell.com

EH 11/2022 (01)