



GP-LB 18/200 Li E

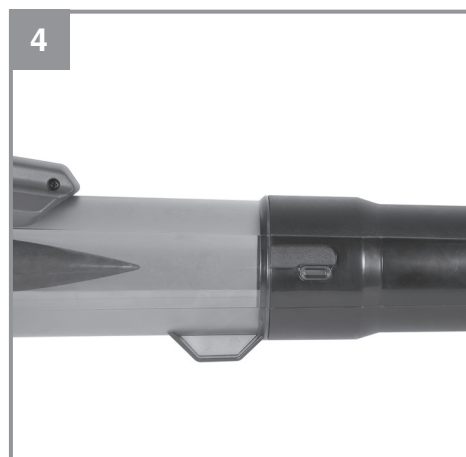
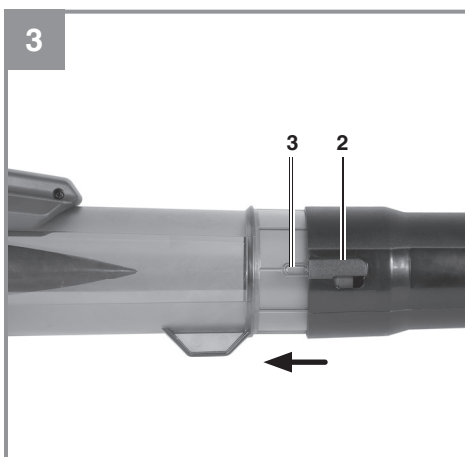
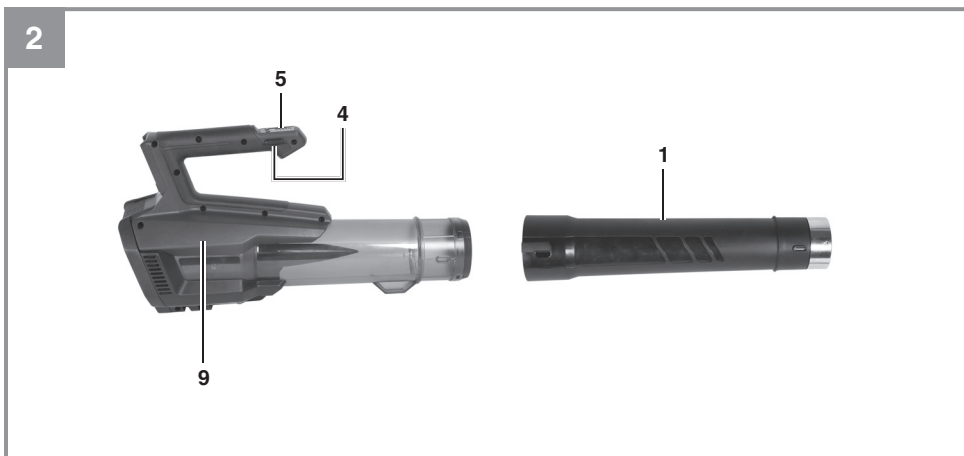
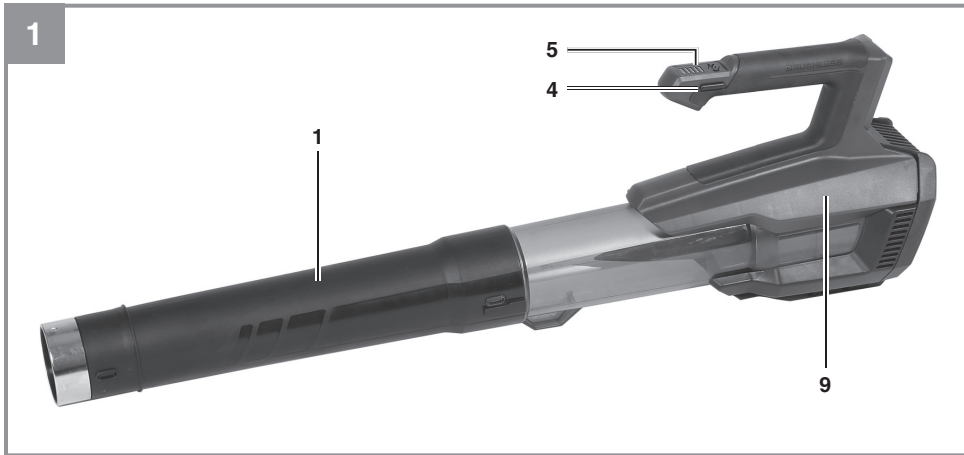
- EN** Operating instructions
Cordless Leaf Blower
- FR** Mode d'emploi
Souffleuse à feuilles sans fil
- SP** Manual de instrucciones
Soplador de hojas inalámbrico

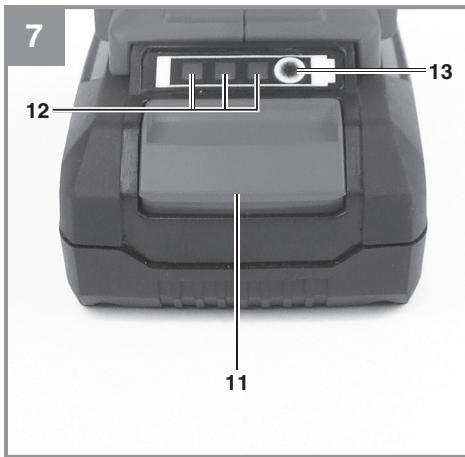
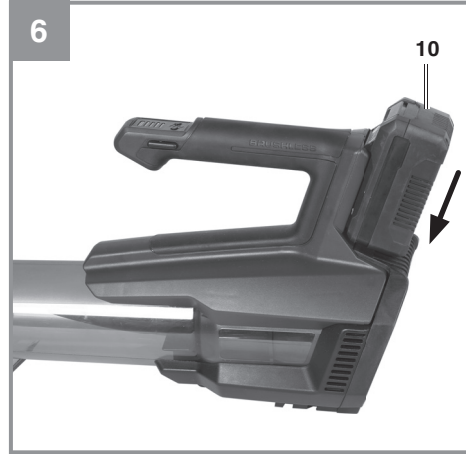
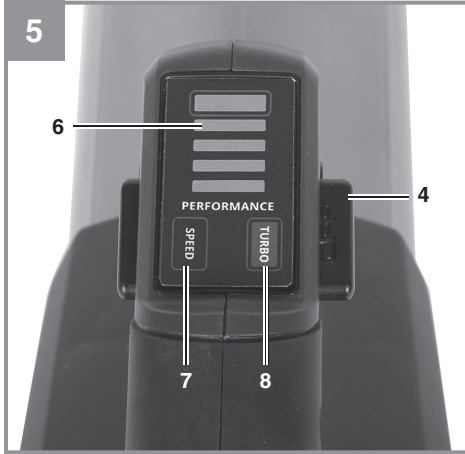


Art.-Nr.: 3433556

I.-Nr.: 21012









Danger! - Read the operating instructions to reduce the risk of injury.



Read the directions for use before operating the tool.



Do not use the tool in rain or snow. Do not expose the tool to wet conditions.



Keep all other persons away from the danger zone.



Wear goggles and ear muffs.



Store the batteries only in dry rooms with an ambient temperature of 50°F to 104°F (+10°C to +40°C).
Place only fully charged batteries in storage (charged at least 40%).

DANGER!

When using the equipment, a number of safety precautions must be observed to avoid injuries and damage. Please read the complete operating instructions and safety information with due care. Keep these operating instructions in a safe place so that the information is available at all times. If you give the equipment to any other person, hand over these operating instructions and the safety information as well. We cannot accept any liability for damage or accidents which arise due to failure to follow these instructions and the safety information.

1. Safety information**IMPORTANT SAFETY INSTRUCTIONS****Read All Instructions**

WARNING: When using electric gardening appliances, basic safety precautions should always be followed to reduce the risk of fire, electric shock, and personal injury, including the following:

FOR ALL APPLIANCES

- Avoid dangerous environments - do not use appliances in damp or wet locations.
- Don't use in rain.
- Keep children away - all people and pets should be kept at a distance from the work area.
- Dress properly - do not wear loose clothing or jewelry. They can be caught in moving parts. Wear protective clothing; use of work gloves, long pants, a long sleeved shirt and safety footwear is recommended when working outdoors. Wear protective hair covering to contain long hair.
- Use safety glasses - always use face or dust mask if the area in which you are working is dusty. The purpose of the safety rules is to attract your attention to possible dangers. The safety symbols and the explanations with them, require your careful attention and understanding. The safety warnings do not by themselves eliminate any danger. The instruction or warnings they give are not substitutes for proper accident prevention measures.
- Use right appliance - do not use appliance for any job except that for which it is intended.
- Do not force appliance - it will do the job

better and with less likelihood of a risk of injury at the rate for which it was designed.

- Do not overreach - keep proper footing and balance at all times.
- Stay alert. Use common sense. Do not operate appliance when you are tired or under the influence of drugs, alcohol or medication.
- When not in use, appliances should be stored indoors in dry places out of reach of children.
- Maintain appliance with care. Follow instructions for lubricating and changing accessories. Keep handles dry, clean, and free from oil and grease.
- Check damaged parts. Before using the appliance, make sure the safety guards are intact. Never use a tool without its safety guard. Check the alignment of the moving parts, the binding of the moving parts.
- Check for broken or defective parts that can affect the safe operation of your tool. A guard or other part that is damaged should be properly repaired or replaced by an authorized service centre unless indicated elsewhere in this manual.
- Recharge only with the charger specified by the manufacturer. A charger that is suitable for one type of battery pack may create a risk of fire when used with another battery pack.
- Use appliances only with specifically designated battery packs. Use of any other battery packs may create a risk of injury and fire.
- When battery pack is not in use, keep it away from other metal objects, like paper clips, coins, keys, nails, screws or other small metal objects, that can make a connection from one terminal to another. Shorting the battery terminals together may cause burns or a fire.
- Under abusive conditions, liquid may be ejected from the battery; avoid contact. If contact accidentally occurs, flush with water. If liquid contacts eyes, additionally seek medical help. Liquid ejected from the battery may cause irritation or burns. (This advice is considered correct for conventional NiMh, NiCd, lead acid and Lithium-ion cell types. If this advice is incorrect for a cell design that differs from these, then the correct advice may be substituted.)
- Do not use a battery pack or appliance that is damaged or modified. Damaged or modified batteries may exhibit unpredictable behavior resulting in fire, explosion or risk of injury.
- Do not expose a battery pack or appliance

to fire or excessive temperature. Exposure to fire or temperature above 266°F (130°C) may cause explosion.

- Follow all charging instructions and do not charge the battery pack or appliance outside of the temperature range specified in the instructions. Charging improperly or at temperatures outside of the specified range may damage the battery and increase the risk of fire.
- Have servicing performed by a qualified repair person using only identical replacement parts. This will ensure that the safety of the product is maintained.
- Do not modify or attempt to repair the appliance or the battery pack (as applicable) except as indicated in the instructions for use and care.

1.) FOR ALL BATTERY-OPERATED APPLIANCES:

- Do not charge appliance in rain, or in wet locations.
- Do not use battery-operated appliances in the rain. Always remove or disconnect battery pack before adjusting, cleaning, servicing or transporting the garden appliances.

2.) FOR ALL BATTERY-OPERATED PRODUCTS EMPLOYING A DETACHABLE OR SEPARABLE

BATTERY:

- Use only the following type and size battery:
 - 18V 1.5Ah PXC Lithium-ion battery
 - 18V 2.0Ah PXC Lithium-ion battery
 - 18V 2.5Ah PXC Lithium-ion battery
 - 18V 3.0Ah PXC Lithium-ion battery
 - 18V 4.0Ah PXC Lithium-ion battery
 - 18V 3.0Ah PXC Plus Lithium-ion battery
 - 18V 4.0Ah PXC Plus Lithium-ion battery
 - 18V 5.2Ah PXC Plus Lithium-ion battery
 - 18V 4.0Ah/6.0Ah PXC Plus Lithium-ion battery
 - 18V 5.0Ah/8.0Ah PXC Plus Lithium-ion battery
- Do not dispose of the battery in a fire. The cell may explode. Check with local codes for possible special disposal instructions.
- Do not open or mutilate the battery. Released electrolyte is corrosive and may cause damage to the eyes or skin. It may be toxic if swallowed.
- Exercise care in handling the battery in order not to short it with conducting materials such as rings, bracelets, and keys. The battery or

conductor may overheat and cause burns.

3.) AVOID UNINTENTIONAL STARTING – DO NOT INSERT BATTERY WHILE YOUR FINGER IS ON THE SWITCH. BE SURE SWITCH IS OFF WHEN INSERTING THE BATTERY.

GENERAL SAFETY WARNINGS FOR THE BATTERY PACK

- Dispose of used battery promptly and properly. When disposing of secondary cells or batteries, keep cells or batteries of different electrochemical systems separate from each other.
- Keep battery out of reach of children and in original package until ready to use.
- Never put batteries in one's mouth. If swallowed, contact local poison control centre immediately.
- CAUTION – The battery used in this device may present a risk of fire or chemical burn if mishandled. Replace battery with Einhell/lawn master brand only. Use of another battery may present a risk of fire or explosion.
- WARNING: Do not use a visibly damaged battery pack or appliance.
- WARNING: Do not modify or attempt to repair the appliance or the battery pack.
- **BATTERIES MUST BE RECYCLED.**
- Do not short-circuit a cell or battery. Do not store cells or batteries haphazardly in a box or drawer where they may short-circuit each other or be short-circuited by conductive materials.
- Do not subject cells or batteries to mechanical shocks.
- Keep cells and batteries clean and dry. Wipe the cell or battery terminals with a clean dry cloth if they become dirty.
- Do not maintain secondary cells and batteries on charge when not in use.
- Retain the original cell and battery. Do not use any charger other than that specifically provided for use with the equipment. Secondary cells and batteries need to be charged before use. Always use the correct charger and refer to the manufacturer's instructions or equipment manual for proper charging instructions.
- When possible, remove the battery from the equipment when not in use.
- Prevent unintentional starting. Ensure the switch is in the off-position before connecting to the battery pack, picking up or carrying the

appliance. Carrying the appliance with your finger on the switch or energizing appliances that have the switch on invites accidents.

- Disconnect the battery pack from the appliance before making any adjustments, changing accessories, or storing appliance. Such preventive safety measures reduce the risk of starting the appliance accidentally.
- Under abusive conditions, liquid may be ejected from the battery; avoid contact. If contact accidentally occurs, flush with water. If liquid contacts eyes, additionally seek medical help. Liquid ejected from the battery may cause irritation or burns.
- Have servicing performed by a qualified repair person using only identical replacement parts. This will ensure that the safety of the product is maintained.
- **Protect your rechargeable battery against moisture, rain and high humidity.** Moisture, rain and high humidity can cause dangerous cell damage. Never charge or work with batteries which have been exposed to moisture, rain or high humidity – replace them immediately.
- If your equipment is fitted with a detachable battery, remove the battery for safety reasons after you have finished your work.

IMPORTANT SAFETY INSTRUCTIONS FOR CHARGER

WARNING: This product may contain lead, phthalate or other chemicals known to the State of California to cause cancer, birth defects and other reproductive harm. Please wash your hands after use.

Protection from environmental influences

1. Wear suitable work clothes. Wear safety goggles.
2. **Protect your cordless tool and the battery charger from moisture and rain.** Moisture and rain can cause dangerous cell damage.
3. Do not use the cordless tool or the battery charger near vapors and inflammable liquids.
4. Use the battery charger and cordless tools only in dry conditions and an ambient temperature of 50°F to 104°F (10°C to 40°C).
5. Do not keep the battery charger in places where the temperature is liable to reach over 104°F (40°C). In particular, do not leave the battery charger in a car that is parked in the sunshine.
6. **Protect batteries from overheating.** Overloads, over-charging and exposure to

direct sunlight will result in overheating and cell damage. Never charge or work with batteries which have been overheated – replace them immediately if possible.

7. **Storage of batteries, battery chargers and cordless tools.** Store the charger and your cordless tool only in dry places with an ambient temperature of 50°F to 104°F (10°C to 40°C). Store the Lithium-Ion rechargeable battery in a cool and dry place at 50°F to 68°F (10°C to 20°C). Protect them from humidity and direct sunlight! Place only fully charged batteries in storage (charged at least 40%).
8. Prevent the Lithium-Ion battery pack from freezing. Battery packs which were stored below 32°F (0°C) for more than 60 minutes must be disposed of.
9. When handling batteries beware of electrostatic charge: Electrostatic discharges cause damage of the electronic protection system and the battery cells. Avoid electrostatic charging and never touch the battery poles.

Additional safety instructions

- Always walk. Never run.
- Always keep the ventilation opening clean.
- Never direct the blow hole at persons or animals.
- The machine may only be used at reasonable times of the day, i.e. not in the early morning or late evening when it will be a nuisance to other people. The times specified by local authorities must be observed.
- Remove all foreign objects with a rake and brush before starting any blowing work.
- Where conditions are dusty, dampen the surface a little or use a sprinkler attachment.
- Use the full-length blower nozzle extension so that the air current can work near to the ground.
- Watch out for children, pets, open windows, etc. and blow the foreign objects safely away from them.
- **Warning:** This machine is not designed for use by children.
- **Warning:** Risk of injury from rotating parts.
- **Warning:** Never use this equipment near open windows.

IMPORTANT SAFETY INSTRUCTIONS SAVE THESE INSTRUCTIONS

2. Layout and items supplied

2.1 Layout

1. Blower tube
2. Groove
3. Guide
4. On/Off slide switch
5. Speed control with display
6. Display
7. "SPEED" button
8. "TURBO" button
9. Motor unit
10. Battery pack (not supplied)
11. Push-lock button
12. Battery capacity indicator
13. Battery capacity indicator button

2.2 Items supplied

Please check that the article is complete as specified in the scope of delivery. If parts are missing, please contact our service center or the store where you made your purchase at the latest within 5 work days after purchasing the article and upon presentation of a valid bill of purchase.

- Open the packaging and take out the equipment with care.
- Remove the packaging material and any packaging and/or transportation braces (if present).
- Check to see if all the items are supplied.
- Inspect the equipment and accessories for transport damage.
- If possible, keep the packaging until the end of the guarantee period.

Danger!

The equipment and packaging material are not toys. Do not let children play with plastic bags, plastic sheets and small parts. There is a risk of choking and suffocating!

- Motor unit
- Blower tube
- Original operating instruction with safety information

Separately available accessories

18V 1.5Ah PXC Lithium-Ion battery
 18V 2.0Ah PXC Lithium-Ion battery
 18V 2.5Ah PXC Lithium-Ion battery
 18V 3.0Ah PXC Lithium-Ion battery
 18V 4.0Ah PXC Lithium-Ion battery
 18V 3.0Ah PXC Plus Lithium-Ion battery

18V 4.0Ah PXC Plus Lithium-Ion battery
 18V 5.2Ah PXC Plus Lithium-Ion battery
 18V 4.0Ah/6.0Ah PXC Plus Lithium-Ion battery
 18V 5.0Ah/8.0Ah PXC Plus Lithium-Ion battery
 18V PXC Dual Port Fast Charger
 18V PXC Fast Charger

Contact your local retailer for more specific models of batteries and charger available in your area. You can also explore battery + charger options at Einhell.com.


3. Intended use

This equipment is designed for clearing away and gathering dry to slightly damp leaves and grass from paved areas and lawns. Small, light-weight rubbish such as cigarettes, twigs, paper, etc. can be gathered from asphalted garden paths or lawns by blowing into piles.

The equipment is allowed to be used only for its prescribed purpose. Any other use is deemed to be a case of misuse. The user/operator and not the manufacturer will be liable for any damage or injuries of any kind resulting from such misuse.

Please note that our equipment has not been designed for use in commercial, trade or industrial applications. Our warranty will be voided if the equipment is used in commercial, trade or industrial businesses or for equivalent purposes.

4. Technical data

Motor power supply: 18V 
 No load speed n₀: 13,000-18,000 RPM
 Max. air speed: 124 mph
 Max. air volume: 395 CFM
 Weight (tool only): 4.74 lbs

Wear ear-muffs.

The impact of noise can cause damage to hearing.

Reduce noise generation and vibration to a minimum!

- Use only equipment that is in perfect condition.
- Maintain and clean the equipment regularly.
- Adapt your way of working to the equipment.

- Do not overload the equipment.
- Have the equipment checked if necessary.
- Switch off the equipment when not in use.
- Wear gloves.

CAUTION!

Residual risks

Even if you use this electric power tool in accordance with the instructions, certain residual risks cannot be eliminated. The following hazards may arise in connection with the equipment's construction and layout:

1. Lung damage if no suitable protective dust mask is used.
2. Damage to hearing if no suitable ear protection is applied.
3. Health damage caused by hand-arm vibrations if the equipment is used over a longer period or is not properly guided and maintained.
4. Risk of eye damage if suitable safety goggles are not worn.

This equipment generates an electromagnetic field during operation. Under certain circumstances this field may actively or passively impede medical implants. To reduce the risk of serious or fatal injuries, we recommend persons with medical implants to consult their doctor and the manufacturer of the medical implant prior to using the equipment.

5. Before starting the equipment

5.1 Fitting the blower tube (Fig. 3/4)

Install the blower tube onto the motor unit. The groove (2) must be pushed into the guide (3) when you do this. Turn the blower tube to the right to secure it in its final position on the motor unit. Caution! The tube must be turned as far as it will go to make sure it is firmly secured in position.

5.2 Fitting the battery (Fig. 6)

Important! Before fitting the battery you must always set the On/Off slide switch to OFF (see section 6.1).

Press the push-lock button of the battery as shown in Fig. 6 and push the battery into the mount provided. When the battery pack is positioned as in Fig. 6, make sure that the push-lock button latches in place! To remove the battery, proceed in reverse order.

5.3 Charging the Lithium-Ion battery (not included)

The corresponding instructions can be found in the original operating instructions for your charger.

5.4 Battery capacity indicator (Fig. 7)

Press the battery capacity indicator switch (13). The battery capacity indicator (12) shows the charge status of the battery using 3 LEDs.

All 3 LEDs lit:

The battery is fully charged.

2 or 1 LED(s) lit:

The battery has an adequate remaining charge.

1 LED flashing:

The battery is empty, recharge the battery.

All LEDs flashing:

The temperature of the battery is too low. Remove the battery from the device and leave it at room temperature for a day. If the error occurs again, this means that the battery has been completely depth-discharged and is defective. Remove the battery from the device. Never use or charge a defective battery.

6. Operation

Caution!

If you point the air flow at other people, animals or objects (e.g. windows), this could cause injuries and damage. Check that all the components are correctly seated.

- Point the air flow away from yourself.
- Never point the air flow at other people, animals or objects.
- Do not blow away any hard objects such as stones or branches.

6.1 Switching the equipment On/Off (Fig. 5)

- This equipment comes with an On/Off slide switch (4).
- To switch on, press the slide switch to the right into the housing (ON position). The equipment will blow at its lowest level.
- To switch off, press the slide switch to the left into the housing (OFF position).

6.2 Speed control (Fig. 5)

The equipment comes with electronic speed control for setting the continuous blowing velocity. Four blowing velocity levels are possible.

1. Switch on the equipment (section 6.1). The equipment will blow at its lowest level. One bar will appear on the display (6).
2. You can increase the blowing velocity by pressing the SPEED button (7). Bars appear on the display (6) according to the selected blowing velocity.
1 bar = lowest blowing velocity.
4 bars = highest blowing velocity.
3. If you press the SPEED button (7) again when the highest blowing velocity is active, the equipment will return to the lowest blowing velocity.
Use the equipment only with the blowing velocity needed for the job.

6.3 Turbo mode (Fig. 5)

If you need a higher blowing velocity for a short time, you can press and hold the TURBO button (8). Pressing and holding the TURBO button will increase the speed, providing the maximum blowing velocity. All the bars will appear in the display (6). Important: To minimize noise and maximize battery operating time, you should not press the TURBO button any longer than necessary.

6.4 Blowing foliage

- Turn on the equipment (see section 6.1).
- Set the desired blowing velocity with the speed controller (see section 6.2).
- Direct the air stream forward and walk slowly to blow foliage or garden refuse into a pile or to remove it from hard-to-reach places.
- To increase the blowing velocity for a short time, use TURBO mode (see section 6.3).

Danger!

Never gather (blow) hot, combustible or explosive materials into piles.

7. Cleaning and maintenance

HAZARD!

Always take the battery out of the equipment before starting any cleaning work.

7.1 Cleaning

- Keep all safety devices, air vents and the motor housing free of dirt and dust as far as possible. Wipe the equipment with a clean cloth or blow it down with compressed air at low pressure.
- We recommend cleaning the equipment immediately each time after use.
- Clean the equipment regularly with a damp cloth and some soft soap. Do not use cleaning agents or solvents; these may be aggressive to the plastic parts in the equipment. Ensure that no water can get into the interior of the equipment. The ingress of water into an electric power tool increases the risk of an electric shock.

7.2 Maintenance

- Should the tool experience problems beyond those mentioned above, let only an authorized professional or a service center perform an inspection.
- There are no other parts inside the equipment which require maintenance.

8. Disposal and recycling

The equipment is supplied in packaging to prevent it from being damaged in transit. The raw materials in this packaging can be reused or recycled. The equipment and its accessories are made of various types of material, such as metal and plastic. Never place defective equipment in your household refuse. The equipment should be taken to a suitable collection center for proper disposal. If you do not know the whereabouts of such a collection point, you should ask in your local council offices.

9. Storage

Store the equipment and its accessories out of children's reach in a dark and dry place at above freezing temperature. The ideal storage temperature is between 41°F and 86°F (5°C and 30°C). Keep the electric tool in its original packaging.

The reprinting or reproduction by any other means, in whole or in part, of documentation and papers accompanying the products is strictly subject to the express consent of Einhell Germany AG.

Subject to technical changes.



Danger! - Lire le mode d'emploi pour diminuer le risque de blessures.



Avant la mise en service, lisez le mode d'emploi.



Ne pas utiliser l'appareil par temps de pluie ou de neige. Protéger l'appareil de l'humidité.



Éloignez les personnes et animaux de la zone de danger.



Portez des protections pour les yeux et l'ouïe.



Conservez les batteries uniquement dans des locaux secs et à une température ambiante de 50-104 °F (+10-+40 °C). Conservez les batteries uniquement en état chargé (au moins 40 % de charge).

Danger !

Certaines mesures de sécurité doivent être respectées pendant l'utilisation des appareils pour empêcher les blessures et les dommages. Par conséquent, lisez attentivement le présent mode d'emploi / les consignes de sécurité. Conservez-les bien pour avoir les informations toujours à la portée de la main. Si vous devez passer l'appareil à d'autres personnes, veuillez leur remettre également le présent mode d'emploi / les consignes de sécurité. Nous ne sommes pas tenus des accidents ou dommages survenus à cause de non-respect du présent mode d'emploi et des consignes de sécurité.

1. Consignes de sécurité**CONSIGNES DE SÉCURITÉ IMPORTANTES****Lisez toutes les instructions**

AVERTISSEMENT : Pendant l'utilisation des appareils électriques de jardinage, respectez toujours les mesures de sécurité pour réduire le risque d'incendie, de choc électrique et de blessures, y compris ce qui suit :

POUR TOUS LES APPAREILS

- Évitez les environnements dangereux – n'utilisez pas les appareils dans des endroits humides ou mouillés.
- Ne les utilisez pas sous la pluie.
- Éloignez les enfants, toutes les personnes et les animaux doivent être tenus à distance de la zone de travail.
- Habillez-vous correctement – ne portez pas de vêtements lâches ou des bijoux. Ils peuvent être happés par les pièces mobiles. Pour les travaux à l'extérieur, il est recommandé de porter des vêtements de protection, d'utiliser des gants de travail, de porter des pantalons longs, une chemise à manches longues et des chaussures de sécurité. Portez un couvre-chef pour recouvrir des cheveux longs.
- Utilisez des lunettes de sécurité – utilisez toujours un masque facial ou anti-poussière si l'endroit où vous travaillez est poussiéreux. Le but des règles de sécurité consiste à attirer votre attention sur les dangers potentiels. Les symboles de sécurité et leurs explications exigent votre attention et votre compréhension. Les avertissements de sécurité ne suppriment pas le risque à eux seuls. Les instructions ou avertissements qu'ils donnent ne remplacent pas les mesures adéquates de prévention d'accidents.
- Utilisez l'appareil approprié – n'utilisez pas l'appareil dans un autre but que celui pour lequel il a été conçu.
- Ne forcez pas l'appareil – il fonctionnera mieux et avec une moindre probabilité d'un risque ou d'une blessure à la vitesse pour laquelle il a été conçu.
- Ne vous penchez pas trop – gardez une bonne position et l'équilibre à tout instant.
- Restez vigilant. Utilisez du bon sens. N'utilisez pas l'appareil si vous êtes fatigué ou si vous vous trouvez sous l'emprise de drogues, d'alcool ou de médicaments.
- Si vous n'utilisez pas l'appareil, rangez-le dans un local sec inaccessible aux enfants.
- Entretenez l'appareil avec soin. Suivez les instructions de lubrification et de remplacement des accessoires. Gardez les poignées sèches, propres et exemptes d'huile et de graisse.
- Vérifiez les pièces endommagées. Avant d'utiliser l'appareil, assurez-vous que les dispositifs de sécurité sont intacts. N'utilisez jamais un outil sans son dispositif de sécurité. Vérifiez l'alignement de pièces mobiles, le coincement de pièces mobiles.
- Examinez les pièces cassées ou défectueuses qui peuvent affecter le fonctionnement en toute sécurité de votre outil. Une protection ou une autre pièce endommagée doit être correctement réparée ou remplacée par un centre de service autorisé, sauf indication contraire dans le présent mode d'emploi.
- Rechargez uniquement avec un chargeur spécifié par le fabricant. Un chargeur qui convient pour un type de batterie peut créer un risque d'incendie s'il est utilisé avec un autre bloc de batterie.
- Utilisez les appareils uniquement avec des batteries spécifiquement désignées. L'utilisation de tout autre batterie peut créer un risque de blessure et d'incendie.
- Lorsque la batterie n'est pas utilisée, conservez-la à l'écart d'autres objets métalliques, comme les trombones, les pièces de monnaie, les clés, les clous, les vis ou autres petits objets métalliques qui pourraient créer une connexion entre les bornes. La mise en court-circuit des bornes de batteries peut causer des brûlures ou un incendie.
- Dans des conditions abusives, un liquide peut sortir de la batterie, évitez le contact. En cas

de contact accidentel, rincez avec de l'eau. En cas de contact du liquide avec les yeux, consultez un médecin. Le liquide sorti de la batterie peut causer des irritations ou des brûlures. (Ce conseil est considéré comme juste pour les types de piles conventionnels de NiMH, NiCd, plomb-acide et Lithium-ion. Si ce conseil est inapproprié pour une conception de cellule différentes de celle-ci, le conseil judicieux peut être appliqué.

- N'utilisez pas une batterie ou un appareil endommagés ou modifiés. Les batteries endommagées ou modifiées peuvent agir de manière imprévisible et donner lieu à un incendie, une explosion ou un risque de blessure.
- N'exposez pas les batteries ou l'appareil au feu ou à des températures excessives. L'exposition au feu ou à une température supérieure à 130 °C (266 °F) peut provoquer une explosion.
- Suivre toutes les instructions de charge et ne pas charger la batterie ou l'appareil en dehors de la gamme de température spécifiée dans les instructions. Un mauvais chargement ou un chargement à des températures en dehors de la gamme spécifiée peut endommager la batterie et augmenter les risques d'incendie.
- Confiez le service à un réparateur qualifié qui utilise uniquement les pièces de rechange identiques. Cela permettra de maintenir la sécurité du produit.
- Ne modifiez pas et n'essayez pas de réparer l'appareil ou la batterie (si applicable), sauf exception indiquée dans les instructions d'utilisation et d'entretien.

1.) POUR TOUS LES APPAREILS SANS FIL

- Ne chargez pas l'appareil sous la pluie ou dans des locaux humides.
- N'utilisez pas les appareils à batterie sous la pluie. Retirez toujours la batterie avant l'ajustement, le nettoyage, le service ou le transport l'appareil de jardin.

2.) POUR TOUS LES PRODUITS SANS FIL AVEC UNE BATTERIE AMOVIBLE OU SÉPARABLE :

- Utilisez uniquement la batterie de type et de taille suivants :
18V 1,5Ah PXC batterie Li-ion
18V 2,0Ah PXC batterie Li-ion
18V 2,5Ah PXC batterie Li-ion
18V 3,0Ah PXC batterie Li-ion
18V 4,0Ah PXC batterie Li-ion

18V 3,0Ah PXC Plus batterie Li-ion
18V 4,0Ah PXC Plus batterie Li-ion
18V 5,2Ah PXC Plus batterie Li-ion
18V 4,0Ah/6,0Ah PXC Plus batterie Li-ion
18V 5,0Ah/8,0Ah PXC Plus batterie Li-ion

- Ne jetez pas la batterie dans le feu. La cellule peut exploser. Consultez les règlements locaux pour connaître les instructions d'élimination spécifiques possibles.
- N'ouvrez ni n'abîmez la batterie. L'électrolyte libéré est corrosif et peut être dangereux pour les yeux ou la peau. Il peut être toxique s'il est avalé.
- Manipulez la batterie avec précaution afin de ne pas la court-circuiter avec des matériaux conducteurs, tels que les bagues, les bracelets et les clés. La batterie ou le conducteur peuvent surchauffer et causer des brûlures.

3.) ÉVITEZ UN DÉMARRAGE INTEMPESTIF – N'INSÉREZ PAS LA BATTERIE ALORS QUE VOTRE DOIGT EST SUR L'INTERRUPTEUR. ASSUREZ-VOUS QUE L'INTERRUPTEUR EST SUR L'ARRÊT EN INSÉRANT LA BATTERIE.

AVERTISSEMENTS DE SÉCURITÉ GÉNÉRAUX POUR LA BATTERIE

- Éliminez la batterie usée vite et promptement. Lors de l'élimination des piles secondaires ou des batteries, gardez les piles ou les batteries de différents systèmes électrochimiques séparément les unes des autres.
- Gardez la batterie hors de portée des enfants dans l'emballage d'origine jusqu'à son utilisation.
- Ne mettez jamais les batteries dans la bouche. Si elles sont avalées, contactez immédiatement le centre antipoison local.
- PRUDENCE – La batterie utilisée dans cet appareil peut présenter un risque d'incendie ou de brûlure chimique en cas de mauvaise manipulation. Remplacez uniquement la batterie de marque principale Einhell / gazon. L'utilisation d'une autre batterie peut présenter un risque d'incendie ou d'explosion.
- AVERTISSEMENT : N'utilisez pas une batterie ou un appareil visiblement endommagé.
- AVERTISSEMENT : Ne modifiez ni n'essayez de réparer l'appareil ou la batterie.
- **LES BATTERIES DOIVENT ÊTRE RECYCLÉES.**
- Ne court-circuitez une cellule ou une batterie. Ne conservez pas les piles ou les batteries au hasard dans une boîte ou un tiroir ou elles

peuvent court-circuiter entre elles ou être court-circuitées par les matériaux conducteurs.

- N'exposez pas les piles ou les batteries aux chocs mécaniques.
- Gardez les piles et les batteries dans un endroit propre et sec. Essuyez les bornes des piles ou des batteries avec un linge propre et sec si elles deviennent sales.
- Ne gardez pas les piles et les batteries chargées si vous ne les utilisez pas.
- Conservez la pile et la batterie d'origine. N'utilisez pas d'autres chargeurs que ceux qui sont spécifiquement fournies pour être utilisés avec l'équipement. Les piles et les batteries secondaires doivent être cherchées avant l'utilisation. Utilisez toujours le chargeur correct et référez-vous aux instructions du fabricant ou au mode d'emploi de l'équipement pour consulter les instructions de chargement correctes.
- Si possible, retirez la batterie de l'équipement lorsque vous ne l'utilisez pas.
- Empêchez tout démarrage non intentionnel. Assurez-vous que le bouton Marche/Arrêt est en position arrêt (OFF) avant de brancher la batterie, de prendre et de transporter l'outil. Le transport de l'appareil avec le doigt sur le bouton Marche/Arrêt ou la mise sous tension des appareils électriques dont le bouton Marche/Arrêt est en position marche (ON) peuvent causer des accidents.
- Débranchez la batterie de l'appareil avant de procéder aux ajustements, de remplacer les accessoires ou de ranger l'appareil. De telles mesures préventives réduisent le risque de démarrage accidentel de l'appareil.
- Dans des conditions abusives, un liquide peut sortir de la batterie, évitez le contact. En cas de contact accidentel, rincez avec de l'eau. En cas de contact du liquide avec les yeux, consultez un médecin. Le liquide sorti de la batterie peut causer des irritations ou des brûlures.
- Confiez le service à un réparateur qualifié qui utilise uniquement les pièces de rechange identiques. Cela permettra de maintenir la sécurité du produit.
- **Protégez votre batterie de l'humidité, de la pluie et de l'humidité de l'air élevée.** L'humidité, la pluie et l'humidité de l'air élevée peuvent endommager dangereusement les cellules. En aucun cas, ne chargez ni ne travaillez avec la batterie qui a été exposée à l'humidité, à la pluie ou à l'humidité de l'air

élevée – remplacez-les immédiatement !

- Si votre appareil est équipé d'une batterie amovible, retirez-la de votre appareil à la fin de votre travail pour des raisons de sécurité.

CONSIGNES DE SÉCURITÉ IMPORTANTES POUR LE CHARGEUR

AVERTISSEMENT : Ce produit peut contenir du plomb, du phtalate ou autres produits chimiques reconnus par l'État de Californie comme cause de cancer, d'anomalies congénitales et de lésions de l'appareil reproducteur. Veuillez laver vos mains après l'utilisation.

Protection contre l'impact environnemental

1. Portez des vêtements de travail appropriés. Porter des lunettes de protection.
2. **Protégez votre appareil sans fil et le chargeur contre l'humidité et la pluie.** L'humidité et la pluie peuvent entraîner des endommagements dangereux des cellules.
3. Ne pas utiliser l'appareil sans fil et le chargeur dans un espace contenant des vapeurs et des liquides combustibles.
4. Utilisez le chargeur et les appareils sans fil uniquement en état sec et à une température ambiante de 50-104 °F (10-40 °C).
5. Ne conservez pas la batterie dans des endroits où la température peut être supérieure à 104 °F (40 °C), en particulier dans un véhicule garé au soleil.
6. **Protégez les batteries contre la surchauffe !** Une surcharge, un chargement excessif ou le rayonnement solaire entraînent la surchauffe et détériorent les cellules. Ne chargez ni travaillez en aucun cas avec les batteries qui ont été surchauffées, remplacez-les sans tarder.
7. **Conservation des batteries, des chargeurs et de l'appareil sans fil.** Conservez le chargeur et votre appareil sans fil uniquement dans des locaux secs à une température ambiante de 50-104 °F (10-40 °C). Conservez la batterie Lithium-Ion au frais et au sec à 50-68 °F (10-20 °C). Protégez contre l'humidité de l'air et le rayonnement solaire direct ! Conservez les batteries uniquement en état chargé (au moins 40 % de charge).
8. Empêchez que la batterie Lithium-Ion gèle. Les batteries qui ont été conservées plus de 60 minutes au-dessous de 32 °F (0 °C) doivent être éliminées.
9. Attention lors de la manipulation des batteries en rapport avec la charge électrostatique : les décharges électrostatiques endommagent

la protection électronique et les cellules de la batterie ! Par conséquent, évitez les décharges électrostatiques et ne touchez jamais les pôles de la batterie !

Consignes de sécurité supplémentaires

- Toujours marcher, ne jamais courir.
- Gardez toujours les orifices d'aération propres.
- Ne jamais diriger l'orifice de soufflage sur des personnes ou des animaux.
- La machine doit être exclusivement utilisée à des heures raisonnables, pas tôt le matin ou tard le soir, lorsque cela peut déranger d'autres personnes. Les horaires indiqués dans les administrations locales doivent être respectés.
- Avant le début du soufflage, il faut enlever les corps étrangers à l'aide d'un râteau et d'un balai.
- S'il y a de la poussière, il faut légèrement humidifier la surface ou, utiliser un dispositif additionnel d'arrosage s'il y en a un.
- Il faut utiliser l'ensemble de tube de soufflage, afin que le courant d'air puisse balayer proche du sol.
- Faites attention aux enfants, aux animaux domestiques, aux fenêtres ouvertes et éloignez en soufflant les corps étrangers de manière sûre.
- **Avertissement** : La machine ne convient pas pour être utilisée par des enfants.
- **Avertissement** : Risque de blessure par des pièces en rotation !
- **Avertissement** : Ne travaillez pas à proximité de fenêtres ouvertes avec cet appareil.

CONSIGNES DE SÉCURITÉ IMPORTANTES CONSERVEZ CES INSTRUCTIONS

2. Description de l'appareil et contenu de l'emballage

2.1 Description de l'appareil

1. Tube de soufflage
2. Rainure
3. Guidage
4. Interrupteur coulissant marche/arrêt
5. Contrôle de vitesse de rotation avec afficheur
6. Afficheur
7. Bouton « SPEED »
8. Bouton « TURBO »
9. Unité du moteur

10. Batterie (non fourni)
11. Touche d'enclenchement
12. Témoin de charge de la batterie
13. Bouton de témoin de charge de la batterie

2.2 Contenu d'emballage

Veillez contrôler l'intégralité de l'article au moyen du contenu d'emballage décrit. En cas de pièces manquantes, veuillez contacter notre centre de service à la clientèle ou le point de vente où vous avez acheté l'appareil au plus tard dans les 5 jours ouvrables à compter de l'achat de l'article en présentant un ticket de caisse valable.

- Ouvrez l'emballage et retirez prudemment l'appareil.
- Enlevez le matériau d'emballage ainsi que les sécurités d'emballage et de transport (le cas échéant).
- Vérifiez l'intégralité du contenu d'emballage.
- Vérifiez si l'appareil et les accessoires présentent des dommages dus au transport.
- Si possible, conservez l'emballage jusqu'à l'expiration de la durée de garantie.

Danger !

L'appareil et le matériau d'emballage ne sont pas un jouet ! Les enfants ne doivent pas jouer avec des sachets en plastique, des films ou de petites pièces ! Il existe le risque d'ingestion et de suffocation !

- Unité du moteur
- Tube de soufflage
- Mode d'emploi d'origine avec consignes de sécurité

Accessoires disponibles séparément

18V 1,5Ah PXC batterie Lithium-Ion
 18V 2,0Ah PXC batterie Lithium-Ion
 18V 2,5Ah PXC batterie Lithium-Ion
 18V 3,0Ah PXC batterie Lithium-Ion
 18V 4,0Ah PXC batterie Lithium-Ion
 18V 3,0Ah PXC Plus batterie Lithium-Ion
 18V 4,0Ah PXC Plus batterie Lithium-Ion
 18V 5,2Ah PXC Plus batterie Lithium-Ion
 18V 4,0Ah/6,0Ah PXC Plus batterie Lithium-Ion
 18V 5,0Ah/8,0Ah PXC Plus batterie Lithium-Ion
 18V PXC chargeur rapide à double raccord
 18V PXC chargeur rapide

Contactez votre détaillant pour les modèles plus spécifiques de batteries et de chargeurs disponibles dans votre région. Vous pouvez également explorer les options de batterie + chargeur sur Einhell.com.

3. Utilisation conforme

Cet appareil est destiné à souffler et à amasser de l'herbe et des feuilles sèches à légèrement humides dans des zones pavées et pelouses. Des petits débris légers, par exemple mégots, petites branches, papier, peuvent être regroupés et amassés par exemple sur des chemins de jardin asphaltés et des surfaces de pelouses.

La machine ne doit être utilisée que conformément à sa destination. Toute autre utilisation dépassant ce cadre n'est pas conforme. C'est l'utilisateur / l'opérateur qui est responsable de tous les dommages ou blessures de toute nature en résultant et non pas le fabricant.

Veillez noter que nos appareils n'ont pas été conçus pour une utilisation commerciale, artisanale ou industrielle. Nous n'accordons aucune garantie si l'appareil est utilisé dans des entreprises commerciales, artisanales ou industrielles ou pour des activités équivalentes.

4. Caractéristiques techniques

Alimentation électrique du moteur: 18V 

Vitesse de rotation

à vide n_0 : 13.000-18.000 tr/min

Vitesse de l'air max.: 200 km/h (124 mph)

Volume d'air max.: 11,2 m³/min (395 pi³/min)

Poids (outil seulement): 2,15 kg (4,74 lb)

Portez une protection auditive.

Le bruit peut provoquer une perte d'acuité auditive.

Limitez à un minimum l'émission de bruit et les vibrations !

- Utilisez uniquement des appareils irréprochables.
- Entretenez et nettoyez l'appareil régulièrement.
- Adaptez votre méthode de travail à l'appareil.
- Ne surchargez pas l'appareil.
- Faites examiner l'appareil le cas échéant.
- Éteignez l'appareil lorsqu'il n'est plus utilisé.
- Portez des gants.

Attention !

Risques résiduels

Il existe toujours des risques même si vous vous servez correctement de cet outil électrique. Les risques suivants peuvent se produire en rapport avec la structure et la réalisation de cet outil électrique :

1. Lésions pulmonaires, si vous ne portez pas de masque anti-poussières approprié.
2. Lésions auditives, si vous ne portez pas de protection auditive appropriée.
3. Dommages pour la santé résultant des vibrations mains-bras, si votre appareil est utilisé d'une manière prolongée ou tenu et entretenu de manière incorrecte.
4. Risque de lésions aux yeux en l'absence de lunettes de protection.

Cet appareil produit un champ électromagnétique pendant son fonctionnement. Dans certaines conditions, ce champ peut altérer le fonctionnement d'implants médicaux actifs ou passifs. Afin de réduire les risques de blessures graves ou mortelles, nous recommandons aux personnes qui possèdent un implant médical de consulter leur médecin et leur fabricant d'implants médicaux avant d'utiliser la machine.

5. Avant la mise en service

5.1 Montage du tube de soufflage

(figures 3/4)

Installez le tube de soufflage sur l'unité du moteur. La rainure (2) doit être poussée ce faisant dans le guidage (3). Une rotation vers la droite permet de fixer le tube de soufflage lorsque le point d'extrémité est atteint au niveau de l'unité du moteur. Attention ! Le tube doit être tourné jusqu'à la butée afin de garantir un verrouillage sûr.

5.2 Montage de la batterie (figure 6)

Remarque ! Avant le montage de la batterie, placez toujours l'interrupteur coulissant marche/arrêt en position OFF (voir chapitre 6.1).

Enfoncez, comme illustré sur la figure 6, la touche d'enclenchement de la batterie et poussez la batterie dans le logement prévu à cet effet. Dès que la batterie est dans une position comme figurant sur la figure 6, veillez à ce que les touches d'enclenchement s'enclenchent ! Le démontage de la batterie s'effectue dans l'ordre inverse !

5.3 Chargement de la batterie au Lithium-Ion (non inclus)

Vous trouverez les instructions correspondantes dans le mode d'emploi d'origine de votre chargeur.

5.4 Affichage de la capacité de la batterie (image 7)

Appuyez sur l'interrupteur de l'affichage de la capacité de la batterie (13). L'affichage de la capacité de la batterie (12) signale l'état de charge de la batterie au moyen de 3 DEL.

Les 3 DEL s'allument:

La batterie est complètement chargée.

2 ou 1 DEL s'allument:

La batterie a une charge résiduelle suffisante.

1 DEL clignote:

La batterie est déchargée, chargez la batterie.

Tous les voyants clignotent :

La température de la batterie est trop basse. Retirez la batterie de l'appareil, laissez-la à température ambiante pendant une journée. Si le défaut se reproduit, cela signifie que la batterie rechargeable a subi une décharge complète et est défectueuse. Retirez la batterie de l'équipement. N'utilisez ou ne chargez jamais une batterie défectueuse.

6. Fonctionnement

Attention !

Si vous dirigez le jet d'air vers d'autres personnes, animaux ou objets (par ex. fenêtre), cela peut entraîner des blessures et dommages. Veillez à la bonne fixation de tous les composants.

- Dirigez le courant d'air en l'éloignant de vous.
- Ne dirigez jamais le jet d'air vers d'autres personnes, animaux ou objets.
- Ne soufflez aucun objet dur (pierres ou branches).

6.1 Mise en marche/arrêt de l'appareil (fig. 5)

- L'appareil est doté d'un interrupteur coulissant marche/arrêt (4).
- Pour allumer, appuyez sur le coulisseau à droite dans le boîtier (position ON). L'appareil souffle au niveau le plus bas.
- Pour éteindre, appuyez sur le coulisseau à gauche dans le boîtier (position OFF).

6.2 Réglage de la vitesse de rotation

(fig. 5)

L'appareil est équipé d'un contrôle de vitesse électronique pour régler la vitesse de soufflage en permanence. 4 vitesses de soufflage sont possibles en permanence.

1. Allumez l'appareil (section 6.1). L'appareil souffle au niveau le plus bas. Une barre apparaît sur l'afficheur (6).
2. Appuyez sur le bouton « SPEED » (7) pour augmenter la vitesse de soufflage. Des barres correspondant à la vitesse de soufflage réglée apparaissent sur l'afficheur (6).
1 barre = vitesse de soufflage la plus basse.
4 barres = vitesse de soufflage la plus élevée.
3. Si vous appuyez à nouveau sur le bouton « SPEED » (7) à la vitesse de soufflage la plus élevée, l'appareil soufflera à nouveau au niveau le plus bas.
N'exploitez l'appareil qu'avec la vitesse de soufflage nécessaire.

6.3 Mode turbo (fig. 5)

Si vous avez brièvement besoin d'une vitesse de soufflage accrue, vous pouvez appuyer sur le bouton « TURBO » (8). Actionner le bouton « TURBO » augmente brièvement la vitesse de rotation jusqu'au maximum mettant ainsi à disposition la vitesse de soufflage maximum. Toutes les barres apparaissent sur l'afficheur (6). Attention: N'actionnez jamais le bouton « TURBO » plus longtemps que nécessaire afin de réduire le bruit et d'augmenter la durée de fonctionnement de la batterie.

6.4 Soufflage de feuilles

- Allumez l'appareil (voir chapitre 6.1).
- Réglez la vitesse de soufflage souhaitée avec le contrôle de vitesse de rotation (voir chapitre 6.2).
- Dirigez le jet d'air vers l'avant et déplacez-vous lentement pour regrouper les feuilles et déchets de jardin par soufflage ou les retirer des endroits difficiles d'accès.
- Pour augmenter brièvement la vitesse de soufflage, utilisez le mode « Turbo » (voir chapitre 6.3).

Danger !

N'accumulez (ne soufflez) jamais des matériaux chauds, inflammables ou explosifs.

7. Nettoyage et entretien

Danger !

Avant tout travail de nettoyage, retirez la batterie de l'appareil.

7.1 Nettoyage

- Maintenez les dispositifs de protection, les fentes d'aération et les carters de moteur aussi exempt de poussières et de saletés que possible. Frottez l'appareil avec un linge propre et nettoyez-le à l'air comprimé à basse pression.
- Nous recommandons de nettoyer l'appareil directement après chaque utilisation.
- Nettoyez l'appareil régulièrement avec un linge humide et un peu de savon doux. N'utilisez pas de détergeant ni de solvants ; ils peuvent détériorer les éléments en plastique de l'appareil. Veillez à ce que l'eau ne puisse pas pénétrer à l'intérieur de l'appareil. La pénétration de l'eau dans un appareil électrique augmente le risque d'une électrocution.

7.2 Entretien

- En cas de dysfonctionnements éventuels, il convient de faire vérifier et remettre en état l'appareil uniquement par un spécialiste autorisé ou par un centre de service.
- L'intérieur de l'appareil ne contient pas de pièces exigeant un entretien.

8. Élimination et recyclage

L'appareil se trouve dans un emballage pour empêcher les dommages dus au transport. Cet emballage constitue une matière première et peut par conséquent être réutilisé ou peut être recyclé. L'appareil et ses accessoires sont fabriqués à partir de différents produits, comme par exemple le métal et les matières plastiques. Ne jetez pas les appareils défectueux dans les déchets ménagers. Pour être éliminé de façon appropriée, l'appareil devrait être déposé à un lieu de collecte approprié. Si vous ne connaissez aucun lieu de collecte, informez-vous auprès de l'administration municipale.

9. Entreposage

Entreposez l'appareil et ses accessoires dans un endroit sombre, sec et exempt de gel ainsi que hors la portée des enfants. La température d'entreposage optimale se situe entre 41 °F et 86 °F (5 °C et 30 °C). Entreposez l'outil électrique dans l'emballage d'origine.

Une réimpression ou toute autre reproduction de la documentation et des documents accompagnant les produits, même par extraits, ne sont autorisées qu'avec accord exprès d'Einhell Germany AG.

Sous réserve des modifications techniques.



Peligro! - Leer el manual de instrucciones para reducir cualquier riesgo de sufrir daños



Leer el manual de instrucciones de uso antes de la puesta en marcha.



No utilizar el aparato cuando llueva o nieve. Proteger el aparato de la humedad.



Mantener a terceras personas alejadas de la zona de peligro.



Ponerse un casco, unas gafas de trabajo y protectores auditivos.



Almacenamiento de las baterías sólo en espacios secos con una temperatura ambiente de 50°F to 104°F (+10°C to +40°C). Guardar las baterías únicamente cuando estén cargadas (mín. al 40%).

Peligro!

Al usar aparatos es preciso tener en cuenta una serie de medidas de seguridad para evitar lesiones o daños. Por este motivo, es preciso leer atentamente este manual de instrucciones/advertencias de seguridad. Guardar esta información cuidadosamente para poder consultarla en cualquier momento. En caso de entregar el aparato a terceras personas, será preciso entregarles, asimismo, el manual de instrucciones/advertencias de seguridad. No nos hacemos responsables de accidentes o daños provocados por no tener en cuenta este manual y las instrucciones de seguridad.

1. Instrucciones de seguridad**INSTRUCCIONES DE SEGURIDAD IMPORTANTES****Leer todas las instrucciones**

ADVERTENCIA: Al usar aparatos eléctricos de jardinería es preciso tener en cuenta una serie de medidas básicas de seguridad con el fin de reducir el riesgo de incendio, descarga eléctrica y lesiones personales, incluyendo las siguientes:

PARA TODOS LOS APARATOS

- Evitar entornos peligrosos: no utilizar los aparatos en lugares húmedos o mojados.
- No usar bajo la lluvia.
- Mantener a los niños alejados: es preciso mantener a todas las personas y animales alejados de la zona de trabajo.
- Vestirse adecuadamente: no llevar ropa holgada ni joyas. Podrían quedarse atrapadas en las piezas móviles. Llevar ropa protectora: se recomienda usar guantes, pantalones largos, una camiseta de manga larga y calzado de seguridad siempre que se trabaje en el exterior. Llevar gorro para cubrir y proteger el pelo largo.
- Llevar gafas de seguridad: llevar siempre mascarilla antipolvo si hay polvo en el área en el que se va a trabajar. El objetivo de las normas de seguridad es advertir de los posibles peligros. Es preciso prestar especial atención y comprender los símbolos de seguridad y sus explicaciones. Las advertencias de seguridad no eliminan por sí mismas los peligros. Las instrucciones o advertencias que ofrecen no sustituyen las medidas adecuadas para la prevención de accidentes.

- Utilizar el aparato adecuado: no utilizar el aparato para realizar un trabajo para el que no haya sido concebido.
- No forzar el aparato: trabajará mejor y con menos probabilidad de que exista riesgo de sufrir lesiones dentro de los parámetros para la que ha sido diseñado.
- No sobreextenderse: mantener siempre bien apoyados los pies y el equilibrio.
- Estar siempre atento. utilizar el sentido común. No operar el aparato si se está cansado o bajo la influencia de drogas, alcohol o medicación.
- Cuando no se utilice el aparato, se deberá almacenar en un recinto cerrado y seco fuera del alcance de los niños.
- Realizar el mantenimiento el aparato con cuidado. Seguir las instrucciones para la lubricación y el cambio de accesorios. Mantener las empuñaduras secas, limpias y libres de aceite y grasa.
- Comprobar que no haya piezas dañadas. Antes de utilizar el aparato, asegurarse de que las protecciones de seguridad estén intactas. No utilizar nunca una herramienta sin su protección de seguridad. Revisar la alineación de las piezas móviles y sus uniones.
- Comprobar que no haya piezas rotas o defectuosas que puedan afectar el funcionamiento seguro de la herramienta. Un dispositivo de protección dañado u otra pieza dañada se deberá enviar a reparar adecuadamente o sustituir a un centro de servicio autorizado a no ser que se indique lo contrario en este manual.
- Recargar solo con el cargador especificado por el fabricante. Un cargador adecuado para un tipo de batería puede conllevar el riesgo de provocar un incendio si se usa con otro tipo de batería.
- Utilizar los aparatos solo con las baterías designadas específicamente. El uso de cualquier otro tipo de batería puede suponer un riesgo de sufrir lesiones y de provocar un incendio.
- Si no se está usando la batería, mantenerla alejada de otros objetos metálicos, como clips, monedas, llaves, clavos, tornillos u otros objetos pequeños de metal que puedan realizar una conexión de un terminal al otro. Si se cortocircuitan los terminales de la batería, se pueden provocar quemaduras o un incendio.
- En caso de uso excesivo, es posible que algo de líquido gotee de la batería. Evitar el con-

tacto. En caso de contacto accidental, lavar con agua. Si el líquido entra en contacto con los ojos, buscar atención médica. El líquido que sale de la batería puede causar irritación o quemaduras. (Estos consejos están destinados a los tipos de batería convencionales NiMH, NiCd, de plomo y ácido y de iones de litio. Si estos consejos no son adecuados para un tipo de batería distinta a estos, sustituirlos por los consejos adecuados.)

- No utilizar baterías ni aparatos que estén dañados o modificados. Las baterías dañadas o modificadas pueden manifestar comportamientos impredecibles que den lugar a incendio, explosión o riesgo de lesión.
- No exponer una batería ni un aparato al fuego o a una temperatura excesiva. La exposición al fuego o a una temperatura superior a los 266°F (130°C) puede provocar una explosión.
- Seguir todas las instrucciones de carga y no cargar la batería ni el aparato fuera del margen de temperatura especificado en las instrucciones. Una carga inadecuada o a temperaturas fuera del margen especificado puede dañar la batería e incrementar el riesgo de incendio.
- Encargar el servicio exclusivamente a una persona cualificada que use solo piezas de repuesto idénticas. Solo así se podrá mantener la seguridad del producto.
- No modificar ni intentar reparar el aparato o la batería (si aplicable) de forma distinta a lo que se indique en las instrucciones de uso y conservación.

1.) PARA TODOS LOS APARATOS QUE FUNCIONAN CON BATERÍA:

- No cargar el aparato bajo la lluvia ni en lugares húmedos.
- No utilizar aparatos que funcionan con batería bajo la lluvia. Quitar o desconectar siempre la batería antes de realizar ajustes, limpiar, reparar o transportar el aparato de jardín.

2.) PARA TODOS LOS APARATOS QUE FUNCIONAN CON UNA BATERÍA DESMONTABLE:

- Usar solo el siguiente tipo y tamaño de batería:
 - 18V 1.5Ah PXC batería Li-Ion
 - 18V 2.0Ah PXC batería Li-Ion
 - 18V 2.5Ah PXC batería Li-Ion
 - 18V 3.0Ah PXC batería Li-Ion
 - 18V 4.0Ah PXC batería Li-Ion

18V 3.0Ah PXC Plus batería Li-Ion
 18V 4.0Ah PXC Plus batería Li-Ion
 18V 5.2Ah PXC Plus batería Li-Ion
 18V 4.0Ah/6.0Ah PXC Plus batería Li-Ion
 18V 5.0Ah/8.0Ah PXC Plus batería Li-Ion

- No tirar la batería al fuego. La célula puede explotar. Consultar la legislación local en material de eliminación de residuos.
- No abrir ni cortar la batería. El electrolito que sale de la misma es corrosivo y puede lesionar los ojos o la piel. Puede ser tóxico si se ingiere.
- Tener cuidado al manipular la batería para no cortocircuitarla con materiales conductivos como anillos, pulseras o llaves. La batería o el conductor se puede sobrecalentar y provocar quemaduras.

3.) EVITAR UN ARRANQUE INVOLUNTARIO: NO INSERTAR LA BATERÍA MIENTRAS SE TIENE EL DEDO EN EL INTERRUPTOR. ASEGURARSE DE QUE EL INTERRUPTOR ESTÉ EN OFF CUANDO SE INSERTE LA BATERÍA.

ADVERTENCIAS GENERALES DE SEGURIDAD PARA LA BATERÍA

- Desechar la batería usada a tiempo y de manera adecuada. A la hora de desechar células o baterías secundarias, mantener separadas las células o baterías de distintos sistemas electromecánicos.
- Mantener la batería fuera del alcance de los niños y en el embalaje original hasta que estén listas para su uso.
- No meterse nunca la batería en la boca. De ingerirse, ponerse de inmediato en contacto con el centro de toxicología local.
- CUIDADO: la batería que se utiliza en este dispositivo puede conllevar riesgo de incendio o quemadura química si se abusa de ella. Sustituir la batería exclusivamente por otra de la marca Einhell o la marca recomendada. El uso de cualquier otra batería puede conllevar riesgo de incendio o explosión.
- ADVERTENCIA: no utilizar una batería o aparato que esté visiblemente dañado.
- ADVERTENCIA: no modificar ni intentar reparar el aparato ni la batería.
- **LAS BATERÍAS SE TIENEN QUE RECYCLAR.**
- No cortocircuitar la célula ni la batería. No guardar las células ni baterías de manera descuidada en una caja o en un cajón donde se puedan cortocircuitar entre sí o por mate-

riales conductivos.

- No someter las células o baterías a choques mecánicos.
- Mantener las células y baterías limpias y secas. Si se ensucian, frotarlas con un paño limpio y seco.
- No mantener las células o baterías secundarias en carga si no se usan.
- Mantener las células y baterías originales. No utilizar un cargador que no se haya facilitado específicamente para usar con el equipo. Las células y baterías secundarias se tienen que cargar antes de su uso. Utilizar siempre el cargador correcto y consultar las instrucciones del fabricante o el manual del equipo para saber cómo cargar correctamente.
- Siempre que sea posible, quitar la batería del equipo cuando no se use.
- Evitar un arranque inesperado. Asegurarse de que el interruptor se encuentre en la posición OFF antes de conectar la batería, alzarla o transportarla. El transporte de aparatos con el dedo en el interruptor o la activación de aparatos energéticos con el interruptor en ON puede provocar accidentes.
- Desconectar la batería del aparato antes de realizar ajustes, cambiar accesorios o almacenar el aparato. Este tipo de medidas de seguridad preventivas sirve para reducir el riesgo de poner en marcha el aparato de manera involuntaria.
- En caso de uso excesivo, es posible que algo de líquido gotee de la batería. Evitar el contacto. En caso de contacto accidental, lavar con agua. Si el líquido entra en contacto con los ojos, buscar atención médica. El líquido que sale de la batería puede causar irritación o quemaduras.
- Encargar el servicio exclusivamente a una persona cualificada que use solo piezas de repuesto idénticas. Solo así se podrá mantener la seguridad del producto.
- **Proteger la batería de la humedad, la lluvia y la humedad ambiental elevada.** La humedad, la lluvia y la humedad ambiental elevada pueden provocar daños peligrosos en las celdas. No cargar ni trabajar nunca con baterías que hayan estado expuestas a la humedad, la lluvia o humedad ambiental elevada, ¡reemplazarlas de inmediato!
- Si el aparato está dotado de una batería extraíble, por motivos de seguridad será preciso extraerla una vez finalizado el trabajo.

INSTRUCCIONES DE SEGURIDAD IMPORTANTES PARA EL CARGADOR

ADVERTENCIA: Este producto puede contener plomo, ftalato u otros productos químicos que según el Estado de California pueden provocar cáncer, malformaciones en el feto u otros daños reproductivos. Lavarse las manos después de utilizarlo.

Protección contra influencias ambientales

1. Ponerse ropa de trabajo adecuada. Ponerse gafas de protección.
2. **Proteger el aparato y el cargador de la humedad y la lluvia.** Éstas podrían provocar daños peligrosos en las celdas.
3. No utilizar el aparato y el cargador cerca de vapores y líquidos inflamables.
4. Utilizar el cargador y el aparato a batería sólo si están secos y a una temperatura ambiente de 50°F-104°F (10-40 °C).
5. No guardar la batería en lugares que puedan alcanzar una temperatura superior a 104°F (40 °C), especialmente no en un vehículo aparcado al sol.
6. **¡Proteger las baterías contra un sobrecalentamiento!** La sobrecarga, carga excesiva o la radiación solar conducen a un sobrecalentamiento y al daño de las celdas. No cargar ni trabajar en ningún caso con baterías que se hayan sobrecalentado. Sustituirlas inmediatamente.
7. **Almacenamiento de baterías, cargadores y del aparato.** Guardar siempre el cargador y el aparato en habitaciones secas con una temperatura ambiente de 50°F-104°F (10-40°C). Guardar la batería de iones de litio en un lugar fresco y seco a 50°F-68°F (10-20°C). ¡Proteger de la humedad ambiental y de la radiación solar! Guardar las baterías únicamente cuando estén cargadas (mín. al 40%).
8. Evitar que la batería de iones de litio se hiele. Deshacerse de las baterías que hayan estado guardadas a 32°F (0°C) durante más de 60 minutos.
9. Llevar cuidado con la carga electrostática al manipular baterías: las descargas electrostáticas provocan daños en el sistema electrónico de protección y las celdas de la batería. ¡Evitar por ello la carga electrostática y no tocar nunca los polos de la batería!

Instrucciones de seguridad adicionales

- Camine, no corra.
- Mantenga siempre los orificios de ventilación limpios.
- No dirigir el orificio de soplado hacia personas o animales.
- La máquina solo debe ser operada a horas razonables: ni por la mañana muy temprano ni por la noche muy tarde para no molestar a los demás. Se han de respetar los horarios establecidos por las autoridades locales.
- Antes de comenzar con el soplado, retirar los posibles objetos sólidos con cepillo y rastrillo.
- Donde se genere polvo, se habrá de humedecer ligeramente la superficie o bien utilizar una pieza de riego acoplada, en caso de disponer de ella.
- Utilizar el juego completo de boquilla de soplar para que el caudal de aire pueda actuar cerca del suelo.
- Cuidado con los niños, animales domésticos y ventanas abiertas, soplar de forma que no se pueda dañar a nadie ni nada.
- **Aviso:** Los niños no deben utilizar la máquina.
- **Aviso:** Peligro de accidente por piezas giratorias.
- **Aviso:** No trabajar con este aparato cerca de ventanas abiertas.

**INSTRUCCIONES DE SEGURIDAD
IMPORTANTES
GUARDE ESTAS INSTRUCCIONES**

**2. Descripción del aparato y
volumen de entrega**

2.1 Descripción del aparato (fig. 1)

1. Tubo de soplado
2. Ranura
3. Guía
4. Interruptor deslizante ON/OFF
5. Regulación de velocidad con display
6. Display
7. Botón 'SPEED'
8. Botón 'TURBO'
9. Unidad de motor
10. Batería (no se suministra)
11. Dispositivo de retención
12. Indicador de capacidad de batería
13. Pulsador para indicar la capacidad de batería

2.2 Volumen de entrega

Sirviéndose de la descripción del volumen de entrega, comprobar que el artículo esté completo. Si faltase alguna pieza, dirigirse a nuestro Service Center o a la tienda especializada más cercana en un plazo máximo de 5 días laborales tras la compra del artículo presentando un recibo de compra válido.

- Abrir el embalaje y extraer cuidadosamente el aparato.
- Retirar el material de embalaje, así como los dispositivos de seguridad del embalaje y para el transporte (si existen).
- Comprobar que el volumen de entrega esté completo.
- Comprobar que el aparato y los accesorios no presenten daños ocasionados durante el transporte.
- Si es posible, almacenar el embalaje hasta que transcurra el periodo de garantía.

Peligro!

¡El aparato y el material de embalaje no son un juguete! ¡No permitir que los niños jueguen con bolsas de plástico, láminas y piezas pequeñas! ¡Riesgo de ingestión y asfixia!

- Unidad de motor
- Tubo de soplado
- Manual de instrucción original con instrucción de seguridad

Accesorios disponibles por separado

18V 1.5Ah PXC batería Li-Ion
 18V 2.0Ah PXC batería Li-Ion
 18V 2.5Ah PXC batería Li-Ion
 18V 3.0Ah PXC batería Li-Ion
 18V 4.0Ah PXC batería Li-Ion
 18V 3.0Ah PXC Plus batería Li-Ion
 18V 4.0Ah PXC Plus batería Li-Ion
 18V 5.2Ah PXC Plus batería Li-Ion
 18V 4.0Ah/6.0Ah PXC Plus batería Li-Ion
 18V 5.0Ah/8.0Ah PXC Plus batería Li-Ion
 18V PXC cargador rápido de doble Puerto
 18V PXC cargador rápido

Comuníquese con su distribuidor local para obtener modelos más específicos de baterías y cargadores disponibles en su área. Explorar las opciones de batería y cargador en einhell.com.


3. Uso adecuado

Este aparato está diseñado para alejar soplando y amontonar hojas y hierba desde secas a ligeramente húmedas de superficies pavimentadas y céspedes. Se pueden soplar y amontonar impurezas pequeñas y ligeras como colillas, ramas pequeñas o papel de, por ejemplo, caminos asfaltados y céspedes.

Utilizar la máquina sólo en los casos que se indican explícitamente como de uso adecuado. Cualquier otro uso no será adecuado. En caso de uso inadecuado, el fabricante no se hace responsable de daños o lesiones de cualquier tipo; el responsable es el usuario u operario de la máquina.

Tener en consideración que nuestro aparato no está indicado para un uso comercial, industrial o en taller. No asumiremos ningún tipo de garantía cuando se utilice el aparato en zonas industriales, comerciales o talleres, así como actividades similares.

4. Características técnicas

Alimentación de tensión de motor: 18V 
 Velocidad en vacío n_0 : 13,000-18,000 RPM
 Velocidad de aire máx.: 124 mph (200 km/h)
 Volumen de aire máx.: 395 CFM (11.2 m³/min)
 Peso (solo herramienta): 4.74 lb (2.15 kg)

Usar protección para los oídos.

La exposición al ruido puede ser perjudicial para el oído.

¡Reducir la emisión de ruido y las vibraciones al mínimo!

- Emplear sólo aparatos en perfecto estado.
- Realizar el mantenimiento del aparato y limpiarlo con regularidad.
- Adaptar el modo de trabajo al aparato.
- No sobrecargar el aparato.
- En caso necesario dejar que se compruebe el aparato.
- Apagar el aparato cuando no se esté utilizando.
- Llevar guantes.

Cuidado!

Riesgos residuales

Incluso si esta herramienta se utiliza adecuadamente, siempre existen riesgos residuales. En función de la estructura y del diseño de esta herramienta eléctrica pueden producirse los siguientes riesgos:

1. Lesiones pulmonares en caso de que no se utilice una mascarilla de protección antipolvo.
2. Lesiones auditivas en caso de que no se utilice una protección para los oídos adecuada.
3. Daños a la salud derivados de las vibraciones de las manos y los brazos si el aparato se utiliza durante un largo periodo tiempo, no se sujeta del modo correcto o si no se realiza un mantenimiento adecuado.
4. Daños en los ojos si no se llevan unas gafas protectoras adecuadas.

Este aparato genera un campo electromagnético durante su funcionamiento. En determinadas circunstancias, este campo podrá afectar a los posibles implantes médicos activos o pasivos. Para reducir el peligro de lesiones graves o incluso mortales, recomendamos a las personas que lleven este tipo de implantes que consulten a su médico y al fabricante del implante antes de utilizar el aparato.

5. Antes de la puesta en marcha

5.1 Montaje del tubo de soplado (fig. 3/4)

Para ello, encajar el tubo de soplado en la unidad de motor. Para ello, la ranura (2) se debe empujar en la guía (3). Si se gira hacia la derecha, el tubo de soplado se fija a la unidad de motor al llegar a uno de los puntos finales.

¡Atención! El tubo se tiene que girar hasta llegar al tope para asegurar que quede bien enclavado.

5.2 Montaje de la batería (fig. 6)

¡Advertencia! Colocar siempre el interruptor deslizante ON/OFF en la posición OFF antes de instalar la batería (véase el capítulo 6.1). Presionar el dispositivo de retención de la batería como se muestra en la figura 6 e introducir la batería en el alojamiento previsto para ello. En cuanto la batería se encuentre en la posición de la figura 6, asegurarse de que el dispositivo de retención enclave. Para desmontar la batería, realizar los mismos pasos en orden inverso.

5.3 Cómo cargar la batería de litio (no incluido en el volumen de entrega)

Las instrucciones correspondientes se encuentran en el manual de instrucciones original del cargador.

5.4 Indicador de capacidad de batería (fig. 7)

Pulsar el interruptor para acceder al indicador de capacidad de la batería (13). El indicador de capacidad de batería (12) le indica el estado de carga de la batería sirviéndose de 3 LEDs.

Los 3 LED están iluminados:

La batería está completamente cargada.

2 o 1 LED están iluminados

La batería dispone de suficiente carga residual.

1 LED parpadea:

La batería está vacía, es preciso cargarla.

Si todos los LED parpadean:

La temperatura de la batería es demasiado baja. Quitar la batería del aparato y dejarla durante un día a temperatura ambiente. Si vuelve a aparecer el fallo, la batería se ha descargado completamente y está defectuosa. Quitar la batería del aparato. Está prohibido emplear o cargar una batería defectuosa.

6. Manejo

¡Cuidado!

No soplar contra personas, animales u objetos (p. ej., ventanas) puesto que se podrían ocasionar daños y lesiones. Asegurarse de que todos los componentes están correctamente colocados.

- No dirigir hacia uno mismo el caudal de aire.
- No dirigir jamás el caudal de aire a otras personas, animales u objetos.
- No aplicar el soplado a objetos duros tales como piedras o ramas para quitarlos.

6.1 Cómo encender y apagar el aparato (fig. 5)

El aparato está equipado con un interruptor deslizante ON/OFF (4).

- Para encenderlo, presionar el interruptor deslizante en la derecha en la carcasa (posición ON). El aparato sopla en el nivel más bajo.
- Para desconectarlo, presionar el interruptor en la izquierda en la carcasa (posición OFF).

6.2 Regulación de la velocidad (fig. 5)

El aparato está equipada con una regulación electrónica de velocidad para ajustar la velocidad de soplado de manera continua. Hay 4 niveles de velocidad de soplado continua.

1. Encender el aparato (apartado 6.1). El aparato sopla en el nivel más bajo. En el display aparece una barra (6).
2. Pulsar el botón „SPEED“ (7) para aumentar la velocidad de soplado. En el display aparecen las barras correspondientes a la velocidad de soplado ajustada (6).
1 barra = velocidad más baja
4 barras = velocidad más alta
3. Si se vuelve a pulsar el botón „SPEED“ (7) a la velocidad de soplado más alta, el aparato volverá a soplar a la velocidad más baja. Operar el aparato solo con la velocidad de soplado necesaria.

6.3 Modo Turbo (fig. 5)

Si se necesita aumentar la velocidad de soplado durante poco tiempo, pulsar el botón „TURBO“ (8). Al pulsar el botón „TURBO“, la velocidad aumenta al máximo durante poco tiempo y, por tanto, se dispone de la máxima velocidad de soplado. En el display aparecen todas las barras (6). Atención: nunca pulsar el botón „TURBO“ más tiempo del necesario con el fin de reducir así el ruido y aumentar la duración de la batería.

6.4 Cómo soplar las hojas

- Encender el aparato (véase el capítulo 6.1).
- Ajustar la velocidad de soplado deseada con ayuda de la regulación de velocidad (véase capítulo 6.2).
- Dirigir la corriente de aire hacia delante y moverse lentamente para reunir soplando las hojas o los residuos del jardín o para quitarlos de lugares de difícil acceso.
- Para elevar brevemente la velocidad de soplado, pulsar el botón „Turbo“ (véase el capítulo 6.3).

¡Peligro!

No amontonar (soplar) nunca materiales calientes, inflamables ni explosivos.

7. Mantenimiento y limpieza

Peligro!

Desenchufar la batería antes de realizar trabajos de limpieza.

7.1 Limpieza

- Reducir al máximo posible la suciedad y el polvo en los dispositivos de seguridad, las rendijas de ventilación y la carcasa del motor. Frotar el aparato con un paño limpio o soplarlo con aire comprimido manteniendo la presión baja.
- Se recomienda limpiar el aparato tras cada uso.
- Limpiar el aparato con regularidad con un paño húmedo y un poco de jabón blando. No utilizar productos de limpieza o disolventes ya que se podrían deteriorar las piezas de plástico del aparato. Es preciso tener en cuenta que no entre agua en el interior del aparato. Si entra agua en el aparato eléctrico existirá mayor riesgo de una descarga eléctrica.

7.2 Mantenimiento

- En caso de que se produjeran averías, llevar el aparato a un especialista autorizado o un taller de servicio técnico.
- No hay que realizar el mantenimiento a más piezas en el interior del aparato.

8. Eliminación y reciclaje

El aparato está protegido por un embalaje para evitar daños producidos por el transporte. Este embalaje es materia prima y, por eso, se puede volver a utilizar o llevar a un punto de reciclaje. El aparato y sus accesorios están compuestos de diversos materiales, como, p. ej., metal y plástico. Los aparatos defectuosos no deben tirarse a la basura doméstica. Para su eliminación adecuada, el aparato debe entregarse a una entidad recolectora prevista para ello. En caso de no conocer ninguna, será preciso informarse en el organismo responsable del municipio.

9. Almacenamiento

Guardar el aparato y sus accesorios en un lugar oscuro, seco, protegido de las heladas e inaccesible para los niños. La temperatura de almacenamiento óptima se encuentra entre los 41 °F y 86 °F (5 y 30 °C). Guardar la herramienta eléctrica en su embalaje original.

Sólo está permitido copiar la documentación y documentos anexos del producto, o extractos de los mismos, con autorización expresa de Einhell Germany AG.

Nos reservamos el derecho a realizar modificaciones técnicas



Two horizontal lines are positioned to the right of the pencil's tip, serving as a starting point for writing. Below these, there are 28 additional horizontal lines, evenly spaced, providing a full page of writing space.



www.Einhell.com

EH 11/2022 (01)