

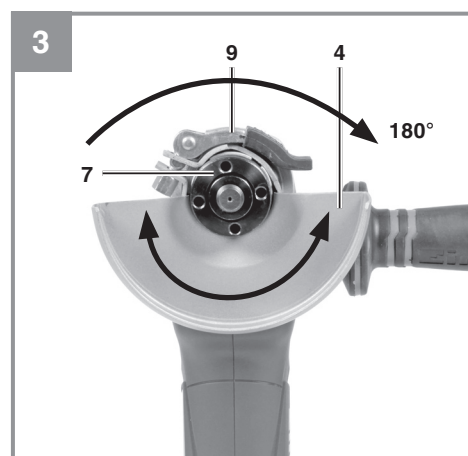
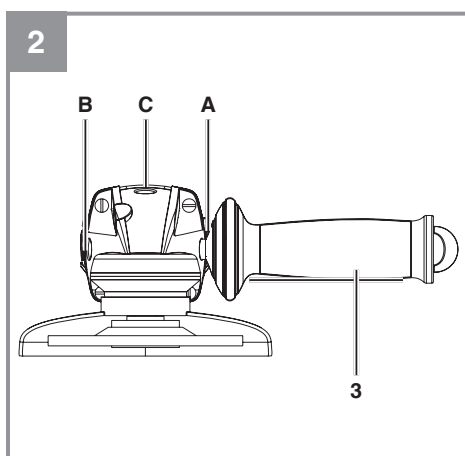
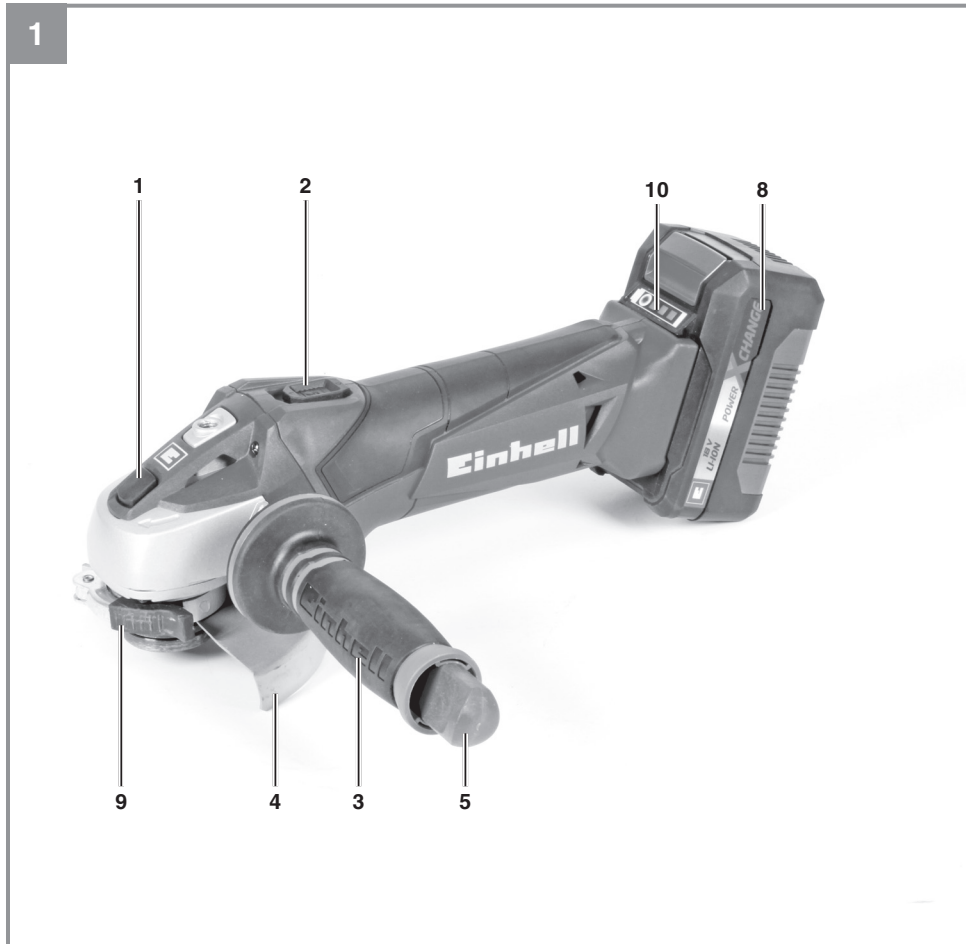
- EN** Operating instructions  
Cordless Angle Grinder
- FR** Mode d'emploi  
Rectifieuse d'angle sans fil
- SP** Manual de instrucciones  
Amoladora angular inalambrica

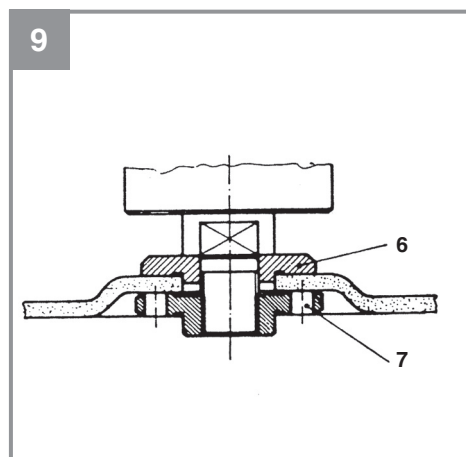
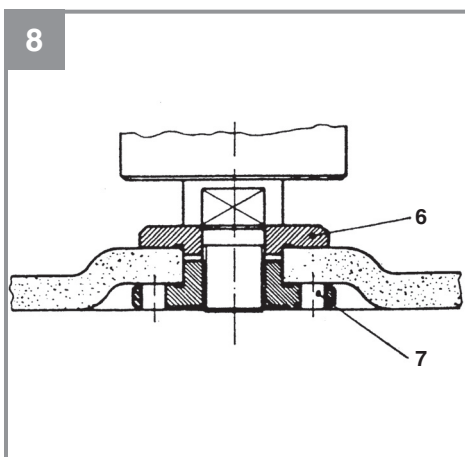
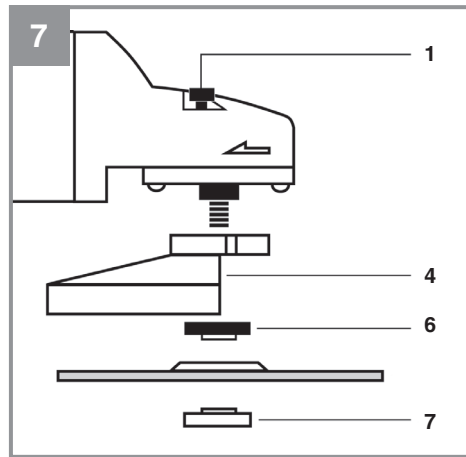
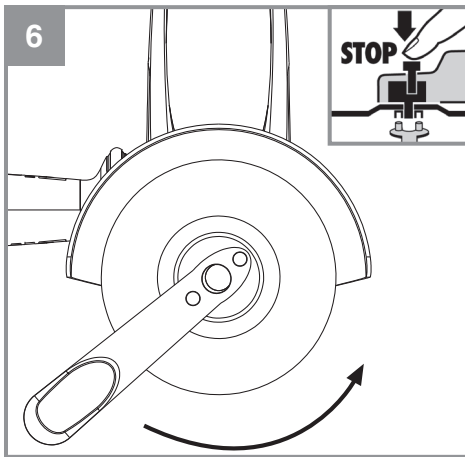
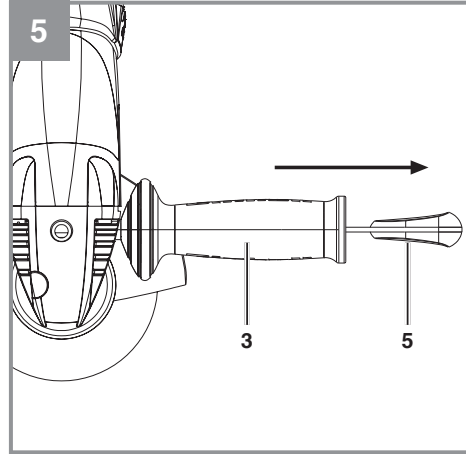
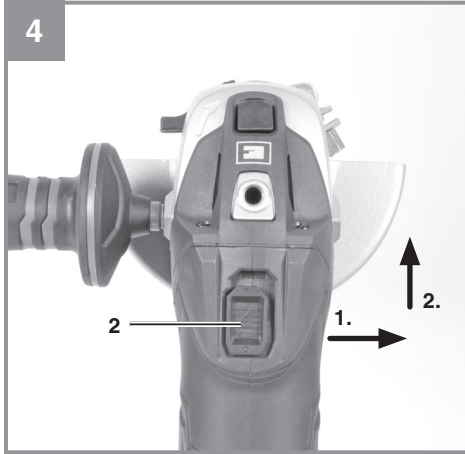


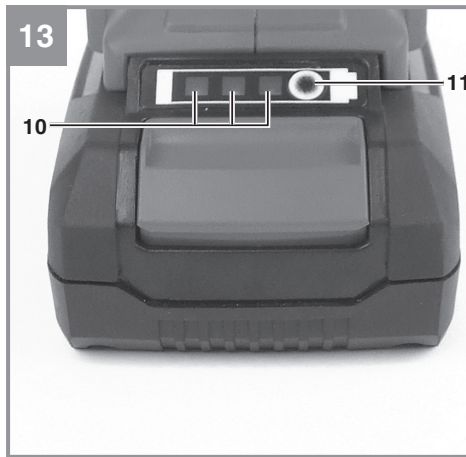
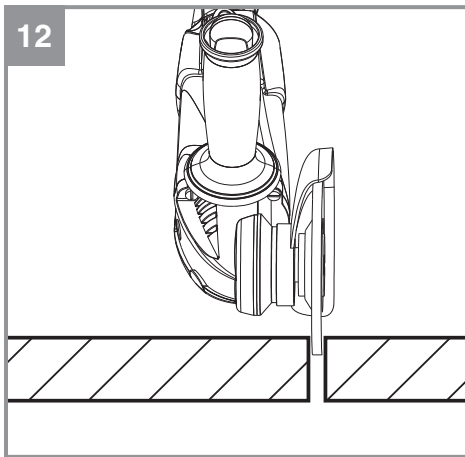
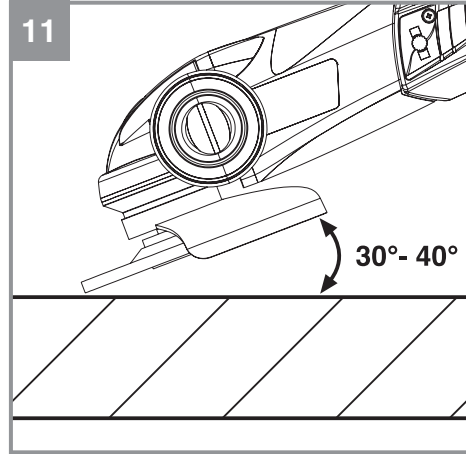
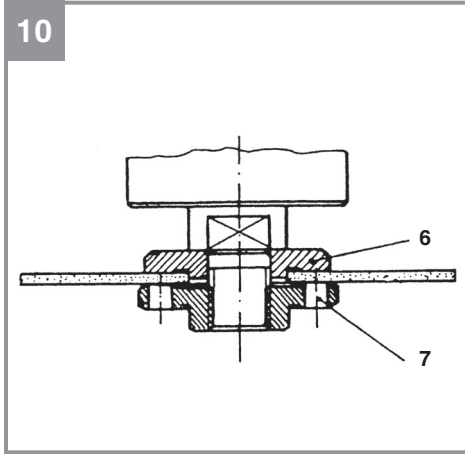
**7** 

**Art.-Nr.: 4431122**  
**Art.-Nr.: 4431146**

**I.-Nr.: 21031**  
**I.-Nr.: 21011**









**Danger!** - Read the operating instructions to reduce the risk of injury.



**Caution! Wear ear-muffs.** The impact of noise can cause damage to hearing.



**Caution! Wear a breathing mask.** Dust which is injurious to health can be generated when working on wood and other materials. Never use the tool to work on any materials containing asbestos!



**Caution! Wear safety goggles.** Sparks generated during work or splinters, chips and dust emitted by the equipment can cause loss of sight.



Store the batteries only in dry rooms with an ambient temperature of 50°F to 104°F (+10°C to +40°C). Place only fully charged batteries in storage (charged at least 40%).



**This safety guard is suitable for grinding/sanding.**



**This safety guard is suitable for cutting and grinding/sanding.** (not included in 4431122)

**DANGER!**

When using the equipment, a number of safety precautions must be observed to avoid injuries and damage. Please read the complete operating instructions and safety information with due care. Keep these operating instructions in a safe place so that the information is available at all times. If you give the equipment to any other person, hand over these operating instructions and the safety information as well. We cannot accept any liability for damage or accidents which arise due to failure to follow these instructions and the safety information.

## 1. Safety information

**DANGER!**

**Read all the safety information and instructions.** Failure to adhere to the safety information and instructions set out below may result in electric shock, fire and/or serious injury. **Keep all the safety information and instructions in a safe place for future use.**

### General safety information for power tools

The term "power tool" used in the safety regulations refers to power tools operated from the mains power supply (with a power cable) and to battery operated power tools (without a power cable).

#### 1) Work area safety

- a) **Keep work area clean and well lit.** *Cluttered and dark areas invite accidents.*
- b) **Do not operate power tools in explosive atmospheres, such as in the presence of flammable liquids, gases or dust.** *Power tools create sparks which may ignite the dust or fumes.*
- c) **Keep children and bystanders away while operating a power tool.** *Distractions can cause you to lose control.*

#### 2) Electrical safety

- a) **Power tool plugs must match the outlet. Never modify the plug in any way. Do not use any adapter plugs with earthed (grounded) power tools.** *Unmodified plugs and matching outlets will reduce risk of electric shock.*
- b) **Avoid body contact with earthed or grounded surfaces such as pipes, radiators, ranges and refrigerators.** *There*

*is an increased risk of electric shock if your body is earthed or grounded.*

- c) **Do not expose power tools to rain or wet conditions.** *Water entering a power tool will increase the risk of electric shock.*
  - d) **Do not abuse the cord. Never use the cord for carrying, pulling or unplugging the power tool. Keep cord away from heat, oil, sharp edges or moving parts.** *Damaged or entangled cords increase the risk of electric shock.*
  - e) **When operating a power tool outdoors, use an extension cord suitable for outdoor use.** *Use of a cord suitable for outdoor use reduces the risk of electric shock.*
  - f) **If operating a power tool in a damp location is unavoidable, use a ground fault circuit interruptor (GFCI) protected supply.** *Use of an GFCI reduces the risk of electric shock.*
- #### 3) Personal safety
- a) **Stay alert, watch what you are doing and use common sense when operating a power tool. Do not use a power tool while you are tired or under the influence of drugs, alcohol or medication.** *A moment of inattention while operating power tools may result in serious personal injury.*
  - b) **Use personal protective equipment. Always wear eye protection.** *Protective equipment such as dust mask, non-skid safety shoes, hard hat, or hearing protection used for appropriate conditions will reduce personal injuries.*
  - c) **Prevent unintentional starting. Ensure the switch is in the Off-position before connecting to power source and/or BATTERY pack, picking up or carrying the tool.** *Carrying power tools with your finger on the switch or energizing power tools that have the switch on invites accidents.*
  - d) **Remove any adjusting key or wrench before turning the power tool on.** *A wrench or a key left attached to a rotating part of the power tool may result in personal injury.*
  - e) **Do not overreach. Keep proper footing and balance at all times.** *This enables better control of the power tool in unexpected situations.*
  - f) **Dress properly. Do not wear loose clothing or jewellery. Keep your hair, clothing and gloves away from moving parts.** *Loose clothes, jewelry or long hair*

- can be caught in moving parts.
- g) **If devices are provided for the connection of dust extraction and collection facilities, ensure these are connected and properly used.** *Use of these devices can reduce dust related hazards.*
- h) **Do not let familiarity gained from frequent use of tools allow you to become complacent and ignore tool safety principles.** *A careless action can cause severe injury within a fraction of a second.*
- 4) Power tool use and care**
- a) **Do not force the power tool. Use the correct power tool for your application.** *The correct power tool will do the job better and safer at the rate for which it was designed.*
- b) **Do not use the power tool if the switch does not turn it on and off.** *Any power tool that cannot be controlled with the switch is dangerous and must be repaired.*
- c) **Disconnect the plug from the power source and/or remove the battery pack, if detachable, from the power tool before making any adjustments, changing accessories, or storing power tools.** *Such preventive safety measures reduce the risk of starting the power tool accidentally.*
- d) **Store idle power tools out of the reach of children and do not allow persons unfamiliar with the power tool or these instructions to operate the power tool.** *Power tools are dangerous in the hands of untrained users.*
- e) **Maintain power tools and accessories. Check for misalignment or binding of moving parts, breakage of parts and any other condition that may affect the power tool's operation. If damaged, have the power tool repaired before use.** *Many accidents are caused by poorly maintained power tools.*
- f) **Keep cutting tools sharp and clean.** *Properly maintained cutting tools with sharp cutting edges are less likely to bind and are easier to control.*
- g) **Use the power tool, accessories and tool bits etc., in accordance with these instructions and in the manner intended for the particular type of power tool, taking into account the working conditions and the work to be performed.** *Use of the power tool for operations different from intended could result in a hazardous situation.*
- h) **Keep handles and grasping surfaces dry, clean and free from oil and grease.** *Slippery handles and grasping surfaces do not allow for safe handling and control of the tool in unexpected situations.*
- 5) Battery tool use and care**
- a) **Recharge only with the charger specified by the manufacturer.** *A charger that is suitable for one type of battery pack may create a risk of fire when used with another battery pack.*
- b) **Use power tools only with specifically designated battery packs.** *Use of any other battery packs may create a risk of injury and fire.*
- c) **When battery pack is not in use, keep it away from other metal objects, like paper clips, coins, keys, nails, screws or other small metal objects that can make a connection from one terminal to another.** *Shorting the battery terminals together may cause burns or a fire.*
- d) **Under abusive conditions, liquid may be ejected from the battery; avoid contact. If contact accidentally occurs, flush with water. If liquid contacts eyes, additionally seek medical help.** *Liquid ejected from the battery may cause irritation or burns.*
- e) **Do not use a BATTERY pack or tool that is damaged or modified.** *Damaged or modified batteries may exhibit unpredictable behavior resulting in fire, EXPLOSION or risk of injury.*
- f) **Do not expose a BATTERY pack or tool to fire or excessive temperature.** *Exposure to fire or temperature above 266°F (130°C) may cause explosion.*
- g) **Follow all charging instructions and do not charge the BATTERY pack or tool outside the temperature range specified in the instructions.** *Charging improperly or at temperatures outside the specified range may damage the BATTERY and increase the risk of fire.*
- 6) Service**
- a) **Have your power tool serviced by a qualified repair person using only identical replacement parts.** *This will ensure that the safety of the power tool is maintained.*
- b) **Never service damaged BATTERY packs.** *Service of BATTERY packs should only be*

*performed by the manufacturer or authorized service providers.*

#### **Additional safety instructions**

We pay a great deal of attention to the design of every battery pack to ensure that we supply you with batteries which feature maximum power density, durability and safety. The battery cells have a wide range of safety devices. Each individual cell is initially formatted and its electrical characteristic curves are recorded. These data are then used exclusively to be able to assemble the best possible battery packs.

**Despite all the safety precautions, caution must always be exercised when handling batteries. The following points must be obeyed at all times to ensure safe use. Safe use can only be guaranteed if undamaged cells are used. Incorrect handling can cause cell damage.**

**Caution!** Analyses confirm that incorrect use and poor care are the main causes of the damage caused by high performance batteries.

#### **Information about the battery**

1. The battery pack supplied with your cordless tool is not charged. The battery pack has to be charged before you use the tool for the first time.
2. For optimum battery performance avoid low discharge cycles. Charge the battery pack frequently.
3. Store the battery pack in a cool place, ideally at 59°F (15°C) and charged to at least 40%.
4. Lithium-Ion batteries are subject to a natural ageing process. The battery pack must be replaced at the latest when its capacity falls to just 80% of its capacity when new. Weakened cells in an aged battery pack are no longer capable of meeting the high power requirements and therefore pose a safety risk.
5. Do not throw battery packs into an open fire. There is a risk of explosion!
6. Do not ignite the battery pack or expose it to fire.
7. **Do not exhaustively discharge batteries.** Exhaustive discharge will damage the battery cells. The most common cause of deep discharge is lengthy storage or non-use of partly discharged batteries. Stop working as soon as the performance of the battery falls noticeably or the electronic protection system triggers. Place the battery pack in storage only after it has been fully charged.

8. **Protect batteries and the tool from overloads.** Overloads will quickly result in overheating and cell damage inside the battery housing without this overheating actually being apparent externally.
9. **Avoid damage and shocks.** Replace batteries which have been dropped from a height of more than one meter or which have been exposed to violent shocks without delay, even if the housing of the battery pack appears to be undamaged. The battery cells inside the battery may have suffered serious damage. In this respect, please also read the waste disposal information.
10. If the battery pack suffers overloading and overheating, the integrated protective cut-off will switch off the equipment for safety reasons. Caution! Do not press the ON/OFF switch any more if the protective cut-off has actuated. This may damage the battery.
11. Use only original battery packs. The use of other batteries may result in injuries, explosion and a fire risk.
12. **Protect your rechargeable battery against moisture, rain and high humidity.** Moisture, rain and high humidity can cause dangerous cell damage. Never charge or work with batteries which have been exposed to moisture, rain or high humidity – replace them immediately.
13. If your equipment is fitted with a detachable battery, remove the battery for safety reasons after you have finished your work.

#### **Information on chargers and the charging process**

1. Please check the data marked on the rating plate of the battery charger. Be sure to connect the battery charger to a power supply with the voltage marked on the rating plate. Never connect it to a different mains voltage.
2. Protect the battery charger and its cable from damage and sharp edges. Have damaged cables repaired without delay by a qualified electrician.
3. Keep the battery charger, batteries and the cordless tool out of children's reach.
4. Do not use damaged battery chargers.
5. Do not use the supplied battery charger to charge other cordless tools.
6. In heavy use the battery pack will become warm. Allow the battery pack to cool to room temperature before commencing with the charging.
7. **Do not over-charge batteries.** Do not



exceed the maximum charging times. These charging times apply only to discharged batteries. Frequent insertion of a charged or partly charged battery pack will result in over-charging and cell damage. Do not leave batteries in the charger for more than 48 hours.

8. **Never use or charge batteries if you suspect that the last time they were charged was more than 12 months previously.** There is a high probability that the battery pack has already suffered dangerous damage (exhaustive discharge).
9. Charging batteries at a temperature below 50°F (10°C) will cause chemical damage to the cell and may cause a fire.
10. Do not use batteries which have heated during the charging process, as the battery cells may have suffered dangerous damage.
11. Do not use batteries which have suffered curvature or deformation during the charging process or which show other non-typical symptoms (gassing, hissing, cracking,...)
12. Never fully discharge the battery pack (recommended depth of discharge max. 80%) A complete discharge of the battery pack will lead to premature ageing of the battery cells.
13. Never charge the batteries unsupervised.

#### Protection from environmental influences

1. Wear suitable work clothes. Wear safety goggles.
2. **Protect your cordless tool and the battery charger from moisture and rain.** Moisture and rain can cause dangerous cell damage.
3. Do not use the cordless tool or the battery charger near vapors and inflammable liquids.
4. Use the battery charger and cordless tools only in dry conditions and an ambient temperature of 50°F to 104°F (10°C to 40°C).
5. Do not keep the battery charger in places where the temperature is liable to reach over 104°F (40°C). In particular, do not leave the battery charger in a car that is parked in the sunshine.
6. **Protect batteries from overheating.** Overloads, over-charging and exposure to direct sunlight will result in overheating and cell damage. Never charge or work with batteries which have been overheated – replace them immediately if possible.
7. **Storage of batteries, battery chargers and cordless tools.** Store the charger and your cordless tool only in dry places with an

ambient temperature of 50°F to 104°F (10°C to 40°C). Store the Lithium-Ion rechargeable battery in a cool and dry place at 50°F to 68°F (10°C to 20°C). Protect them from humidity and direct sunlight! Place only fully charged batteries in storage (charged at least 40%).

8. Prevent the Lithium-Ion battery pack from freezing. Battery packs which were stored below 32°F (0°C) for more than 60 minutes must be disposed of.
9. When handling batteries beware of electrostatic charge: Electrostatic discharges cause damage of the electronic protection system and the battery cells. Avoid electrostatic charging and never touch the battery poles.

#### Battery Caution + Disposal

##### Disposal

Should your appliance need replacement after extended use, do not dispose of it with the household refuse, but in an environmentally safe way.



Waste produced by electrical machine items should not be handled like normal household rubbish. Please recycle where recycle facilities exist. Check with your local authority or retailer for recycling advice.

Always dispose of your battery pack according to federal, state, provincial and local regulations. Contact a recycling agency in your area for recycling locations.

**⚠ CAUTION!** Even discharged battery packs contain some energy. Before disposing, use electrical tape to cover the terminals to prevent the battery pack from shorting, which could cause a fire or explosion.

**⚠ WARNING!** To reduce the risk of injury or explosion, never burn or incinerate a battery pack even if it is damaged, dead, or completely discharged. When burned, toxic fumes and materials are emitted into the surrounding atmosphere.

1. Batteries vary according to device. Consult your manual for specific information.
2. Install only new batteries of the same type in your product (where applicable).
3. Failure to insert batteries in the correct polarity, as indicated in the battery compartment or manual, may shorten the life of the batteries or cause batteries to leak.
4. Do not mix old and new batteries.
5. Do not mix Alkaline, Standard (Carbon-Zinc),

- or Rechargeable (Nickel Cadmium, Nickel Metal Hydride, or Lithium-Ion) batteries.
6. Do not dispose of batteries in fire.
  7. Batteries should be recycled or disposed of as per state, provincial and local guidelines.

**When shipping or disposing of batteries and cordless tools, always ensure that they are packed individually in plastic bags to prevent short circuits and fires.**

#### **SAFETY INSTRUCTIONS FOR ANGLE GRINDER**

##### **Safety Warnings Common for Grinding or Abrasive Cut-Off Operations:**

- a) **This power tool is intended to function as a grinder or cut-off tool. Read all safety warnings, instructions, illustrations and specifications provided with this power tool.** Failure to follow all instructions listed below may result in electric shock, fire and/or serious injury.
- b) **Operations such as sanding, wire brushing, polishing are not recommended to be performed with this power tool.** Operations for which the power tool was not designed may create a hazard and cause personal injury.
- c) **Do not use accessories which are not specifically designed and recommended by the tool manufacturer.** Just because the accessory can be attached to your power tool, it does not assure safe operation.
- d) **The RATED SPEED of the accessories must be at least equal to the operating speed setting marked on the power tool.** Accessories running faster than their RATED SPEED can break and fly apart.
- e) **The outside diameter and the thickness of your accessory must be within the capacity rating of your power tool.** Incorrectly sized accessories cannot be adequately controlled.
- f) **Threaded mounting of accessories must match the GRINDER spindle thread. For accessories mounted by Flanges, the arbor hole of the accessory must fit the locating diameter of the Flange.** Accessories that do not match the mounting hardware of the power tool will run out of balance, vibrate excessively and may cause loss of control.
- g) **Do not use a damaged accessory. Before each use inspect the accessory such as abrasive wheels for chips and cracks, backing pad for cracks, tear or excess wear, wire brush for loose or cracked wires. If power tool or accessory is dropped, inspect for damage or install an undamaged accessory. After inspecting and installing an accessory, position yourself and bystanders away from the plane of the rotating accessory and run the power tool at maximum no-load speed for one minute.** Damaged accessories will normally break apart during this test time.
- h) **Wear personal protective equipment. Depending on application, use face shield, safety goggles or safety glasses. As appropriate, wear dust mask, hearing protectors, gloves and workshop apron capable of stopping small abrasive or workpiece fragments.** The eye protection must be capable of stopping flying debris generated by various operations. The dust mask or respirator must be capable of filtrating particles generated by your operation. Prolonged exposure to high intensity noise may cause hearing loss.
- i) **Keep bystanders a safe distance away from work area. Anyone entering the work area must wear personal protective equipment.** Fragments of workpiece or of a broken accessory may fly away and cause injury beyond immediate area of operation.
- j) **Hold the power tool by insulated gripping surfaces only, when performing an operation where the cutting tool may contact hidden wiring.** Contact with a "live" wire will also make exposed metal parts of the power tool "live" and could give the operator an electric shock.
- k) **Position the cord clear of the spinning accessory.** If you lose control, the cord may be cut or snagged and your hand or arm may be pulled into the spinning accessory.
- l) **Never lay the power tool down until the accessory has come to a complete stop.** The spinning accessory may grab the surface and pull the power tool out of your control.
- m) **Do not run the power tool while carrying it at your side.** Accidental contact with the spinning accessory could snag your clothing, pulling the accessory into your body.
- n) **Regularly clean the power tool's air vents.** The motor's fan will draw the dust inside the housing and excessive accumulation of powdered metal may cause electrical

hazards.

- o) **Do not operate the power tool near flammable materials.** Sparks could ignite these materials.
- p) **Do not use accessories that require liquid coolants.** Using water or other liquid coolants may result in electrocution or shock.

#### Kickback and related warnings

Kickback is a sudden reaction to a pinched or snagged rotating wheel, sanding band, brush or any other accessory. Pinching or snagging causes rapid stalling of the rotating accessory which in turn causes the uncontrolled power tool to be forced in the direction opposite of the accessory's rotation.

For example, if an abrasive wheel is snagged or pinched by the workpiece, the edge of the wheel that is entering into the pinch point can dig into the surface of the material causing the wheel to climb out or kick out. The wheel may either jump toward or away from the operator, depending on direction of the wheel's movement at the point of pinching. Abrasive wheels may also break under these conditions.

Kickback is the result of power tool misuse and/or incorrect operating procedures or conditions and can be avoided by taking proper precautions as given below.

- a) **Maintain a firm grip on the power tool and position your body and arm to allow you to resist kickback forces. Always use auxiliary handle, if provided, for maximum control over kickback or torque reaction during start-up.** The operator can control torque reactions or kickback forces, if proper precautions are taken.
- b) **Never place your hand near the rotating accessory.** Accessory may kickback over your hand.
- c) **Do not position your body in the area where power tool will move if kickback occurs.** Kickback will propel the tool in direction opposite to the wheel's movement at the point of snagging.
- d) **Use special care when working corners, sharp edges etc. Avoid bouncing and snagging the accessory.** Corners, sharp edges or bouncing have a tendency to snag the rotating accessory and cause loss of control or kickback.
- e) **Do not attach a saw chain woodcarving blade or toothed saw blade.** Such blades

create frequent kickback and loss of control.

#### Safety warnings specific for grinding and abrasive cut-off operations:

- a) **Use only WHEEL TYPES that are recommended for your power tool and the specific guard designed for the selected wheel.** Wheels for which the power tool was not designed cannot be adequately guarded and are unsafe.
- b) **The grinding surface of centre depressed wheels must be mounted below the plane of the guard lip.** An improperly mounted wheel that projects through the plane of the guard lip cannot be adequately protected.
- c) **The guard must be securely attached to the power tool and positioned for maximum safety, so the least amount of wheel is exposed towards the operator.** The guard helps to protect the operator from broken wheel fragments, accidental contact with wheel and sparks that could ignite clothing.
- d) **Wheels must be used only for recommended applications. For example: do not grind with the side of cut-off wheel.** Abrasive cut-off wheels are intended for peripheral grinding, side forces applied to these wheels may cause them to shatter.
- e) **Always use undamaged wheel Flanges that are of correct size and shape for your selected wheel.** Proper wheel Flanges support the wheel thus reducing the possibility of wheel breakage. Flanges for cut-off wheels may be different from grinding wheel Flanges.
- f) **Do not use worn down wheels from larger power tools.** Wheel intended for larger power tool is not suitable for the higher speed of a smaller tool and may burst.

#### Additional Safety Warnings Specific for Abrasive cut-off Operations:

- a) **Do not jam the cut-off wheel or apply excessive pressure. Do not attempt to make an excessive depth of cut.** Overstressing the wheel increases the loading and susceptibility to twisting or binding of the wheel in the cut and the possibility of kickback or wheel breakage.
- b) **Do not position your body in line with and behind the rotating wheel.** When the wheel, at the point of operation, is moving away from your body, the possible kickback may propel the spinning wheel and the power tool directly

- at you.
- c) **When wheel is binding or when interrupting a cut for any reason, switch off the power tool and hold the power tool motionless until the wheel comes to a complete stop. Never attempt to remove the cut-off wheel from the cut while the wheel is in motion otherwise kickback may occur.** Investigate and take corrective action to eliminate the cause of wheel binding.
- d) **Do not restart the cutting operation in the workpiece. Let the wheel reach full speed and carefully re-enter the cut.** The wheel may bind, walk up or kickback if the power tool is restarted in the workpiece.
- e) **Support panels or any oversized workpiece to minimize the risk of wheel pinching and kickback. Large workpieces tend to sag under their own weight.** Supports must be placed under the workpiece near the line of cut and near the edge of the workpiece on both sides of the wheel.
- f) **Use extra caution when making a "pocket cut" into existing walls or other blind areas.** The protruding wheel may cut gas or water pipes, electrical wiring or objects that can cause kickback.

### SAVE THESE INSTRUCTIONS

## 2. Layout and items supplied

### 2.1 Layout

1. Spindle lock
2. On/Off switch
3. Additional handle
4. Guard
5. Face spanner
6. Clamping flange
7. Flange nut
8. Rechargeable Lithium-Ion battery (not included in 4431122)
9. Clamp lever
10. Battery capacity indicator
11. Battery capacity indicator button

### 2.2 Items supplied

Please check that the article is complete as specified in the scope of delivery. If parts are missing, please contact our service center or the store where you made your purchase at the latest

within 5 work days after purchasing the article and upon presentation of a valid bill of purchase.

- Open the packaging and take out the equipment with care.
- Remove the packaging material and any packaging and/or transportation braces (if present).
- Check to see if all the items are supplied.
- Inspect the equipment and accessories for transport damage.
- If possible, keep the packaging until the end of the guarantee period.

### Danger!

**The equipment and packaging material are not toys. Do not let children play with plastic bags, plastic sheets and small parts. There is a risk of choking and suffocating!**

- Angle grinder
- Additional handle
- Face spanner
- Guard for grinding
- Original operating instruction with safety information

### Separately available accessories

- 18V 1.5Ah PXC Lithium-Ion battery
- 18V 2.0Ah PXC Lithium-Ion battery
- 18V 2.5Ah PXC Lithium-Ion battery
- 18V 3.0Ah PXC Lithium-Ion battery
- 18V 4.0Ah PXC Lithium-Ion battery
- 18V 3.0Ah PXC Plus Lithium-Ion battery
- 18V 4.0Ah PXC Plus Lithium-Ion battery
- 18V 5.2Ah PXC Plus Lithium-Ion battery
- 18V 4.0Ah/6.0Ah PXC Plus Lithium-Ion battery
- 18V 5.0Ah/8.0Ah PXC Plus Lithium-Ion battery
- 18V PXC Dual Port Fast Charger
- 18V PXC Fast Charger

Contact your local retailer for more specific models of batteries and charger available in your area. You can also explore battery + charger options at [Einhell.com](http://Einhell.com).

### 3. Intended use


The angle grinder is designed for the grinding of metal and masonry using the appropriate grinding wheel and the appropriate guard.

**Warning!** The angle grinder is allowed to be used for cutting metal and masonry only when the guard, which is available as an accessory, is fitted.

The equipment is allowed to be used only for its prescribed purpose. Any other use is deemed to be a case of misuse. The user/operator and not the manufacturer will be liable for any damage or injuries of any kind resulting from such misuse.

Please note that our equipment has not been designed for use in commercial, trade or industrial applications. Our warranty will be voided if the equipment is used in commercial, trade or industrial businesses or for equivalent purposes.

### 4. Technical data

Motor power supply: ..... 18 V   
 Rated speed: ..... 8500 RPM (min<sup>-1</sup>)  
 Max. wheel diameter: ..... 4-1/2" (115 mm)  
 Grinding wheels: ..... 4-1/2" x 7/8" x 1/4"  
 ..... (115 x 22 x 6 mm)  
 Cutting wheel: ..... 4-1/2" x 7/8" x 1/8"  
 ..... (115 x 22 x 3 mm)  
 Mounting spindle thread: ..... 5/8" -11 UNC  
 Weight (Tool only): ..... 4 lbs (1.8 kg)

#### Wear ear-muffs.

The impact of noise can cause damage to hearing.

#### Reduce noise generation and vibration to a minimum!

- Use only equipment that is in perfect condition.
- Maintain and clean the equipment regularly.
- Adapt your way of working to the equipment.
- Do not overload the equipment.
- Have the equipment checked if necessary.
- Switch off the equipment when not in use.

#### CAUTION!

##### Residual risks

**Even if you use this electric power tool in accordance with the instructions, certain**

**residual risks cannot be eliminated. The following hazards may arise in connection with the equipment's construction and layout:**

1. Lung damage if no suitable protective dust mask is used.
2. Damage to hearing if no suitable ear protection is applied.
3. Health damage caused by hand-arm vibrations if the equipment is used over a longer period or is not properly guided and maintained.

#### Limit the operating time.

All stages of the operating cycle must be considered (for example, times in which the electric tools are switched off and times in which the tool is switched on but operates without load).

### 5. Before starting the equipment

#### Warning!

**Always remove the battery pack before making adjustments to the equipment.**

#### 5.1 Fitting the additional handle (Fig. 2)

- The angle grinder must not be used without the additional handle (3).
- The additional handle can be secured in any of three positions (A, B, C).

Tool side	Suitable for
Left (position A / as shown)	Right-handed users
Right (position B)	Left-handed users
Top (position C)	Using cutting wheels

#### 5.2 Replacing and adjusting the guard (Fig. 3)

##### Replacing:

- Remove the flange nut (7) and the clamping flange (6) underneath.
- Open the clamp lever (9) on the guard (4).
- Turn the guard (4) through 180° in clockwise direction so that the guard points upwards.
- Remove the guard (4).

To mount, proceed in the reverse order.

##### Adjusting:

- Adjust the guard (4) to protect your hands

so that the material being ground is directed away from your body.

- The position of the guard (4) can be adjusted to any specific working conditions. Undo the clamp lever (9) and turn the cover (4) into the required position.
- Ensure that the guard (4) correctly covers the gear wheel casing.
- Secure the clamp handle (9) again.
- Ensure that the guard (4) is secure.

**⚠ Make sure that the guard is perfectly secure.**

**⚠ Never use the angle grinder without the guard.**

### 5.3 Trial run for new grinding wheels

Have the angle grinder run in idle mode for at least 1 minute with the grinding or cutting wheel fitted. Replace vibrating wheels immediately.

## 6. Operation

### 6.1 Charging the Lithium-Ion battery (not included)

The corresponding instructions can be found in the original operating instructions for your charger.

### 6.2 Switch (Fig. 4)

The angle grinder comes with a safety switch which is designed to prevent accidents. To switch on, push the On/Off switch (2) to the right and then forwards. To switch off the angle grinder, depress the On/Off switch (2) at the back. The On/Off switch (2) will jump back into its starting position.

**⚠ Wait until the machine has reached its top speed. You can then position the angle grinder on the workpiece and machine it.**

### 6.3 Battery capacity indicator (Fig. 13 / item 10)

Press the battery capacity indicator switch (11). The battery capacity indicator (10) shows the charge status of the battery using 3 LEDs.

#### All 3 LEDs lit:

The battery is fully charged.

#### 2 or 1 LED(s) lit:

The battery has an adequate remaining charge.

#### 1 LED flashing:

The battery is empty, recharge the battery.

#### All LEDs flashing:

The temperature of the battery is too low. Remove the battery from the device and leave it at room temperature for a day. If the error occurs again, this means that the battery has been completely depth-discharged and is defective. Remove the battery from the device. Never use or charge a defective battery.

### 6.4 Changing the grinding wheels (Fig. 5 / 6)

Use the face spanner (5) supplied to change the grinding wheels. The face spanner (5) is stored in the additional handle (3). Pull the face spanner (5) out of the additional handle (3) when you need it. **Danger!** For safety reasons, the angle grinder must not be operated with the face spanner (5) inserted in it.

#### Warning!

- Changing the wheel is easy thanks to the spindle lock.
- Press the spindle lock and allow the grinding wheel to engage.
- Use the face spanner to undo the flange nut. (see Fig. 6)
- Change the grinding or cutting wheel and tighten the flange nut with the face spanner.

#### Important!

**Only ever press the spindle lock when the motor and grinding wheel are at a standstill! The spindle lock must be kept pressed while the wheel is being changed!**

For grinding or cutting wheels with a thickness of up to approx. 1/8" (3 mm), screw the flange nut on with the flat side facing the grinding or cutting wheel.

### 6.5 Position of the flanges when using grinding wheels and cutting wheels (Fig. 7-10)

- Position of the flange when using an offset or a straight grinding wheel (Fig. 8)
  - a) Clamping flange (6)
  - b) Flange nut (7)
- Position of the flange when using an offset cutting wheel (Fig. 9)
  - a) Clamping flange (6)
  - b) Flange nut (7)
- Position of the flange when using a straight cutting wheel (Fig. 10)
  - a) Clamping flange (6)



b) Flange nut (7)

### 6.6 Motor

The motor must be provided with good ventilation during operation, which means that the air vents must be kept clean at all times.

### 6.7 Grinding wheels

- The grinding or cutting wheel must never be bigger than the stipulated diameter.
- Check the specified rotating speed of the grinding or cutting wheel before use.
- The maximum speed of the grinding or cutting wheel used must be higher than the idle speed of the angle grinder.
- Only use grinding or cutting wheels which are approved for a minimum rotating speed of 8,500 RPM and for a circumferential speed of 170 ft/s (52 m/s).
- Check the direction of rotation when you use diamond cutting wheels. The directional arrow on the diamond cutting wheel must point in the direction in which the tool rotates.

Take special care that the grinding wheels are properly stored and transported. Ensure that the grinding wheels are never exposed to shock, jolts or sharp edges (for example during transport or storage in a toolbox). This could cause damage (such as cracks) to the grinding wheels and place the user in serious danger.

### Warning!

### 6.8 Practical tips

#### 6.8.1 Roughing work (Fig. 11)

**⚠ Important! Use the guard for grinding (included in delivery).** For the best results when doing roughing work, apply the grinding wheel at an angle of 30° to 40° to the grinding plane and move it back and forth evenly over the workpiece.

#### 6.8.2 Abrasive cutting (Fig. 12)

**⚠ Important! Use the guard for cutting.** Do not tilt the angle grinder in the cutting plane when performing cutting work. The cutting wheel must have a clean cutting edge. To cut hard masonry, it is best to use a diamond cutting wheel.

**⚠ Use on materials containing asbestos is prohibited!**

**⚠ Never use cutting wheels for roughing work.**

### Note:

For optimum results, use P-X-C rechargeable batteries with a capacity of over 3.0 Ah.

## 7. Cleaning and maintenance

### HAZARD!

Always take the battery out of the equipment before starting any cleaning work.

#### 7.1 Cleaning

- Keep all safety devices, air vents and the motor housing free of dirt and dust as far as possible. Wipe the equipment with a clean cloth or blow it down with compressed air at low pressure.
- We recommend cleaning the equipment immediately each time after use.
- Clean the equipment regularly with a damp cloth and some soft soap. Do not use cleaning agents or solvents; these may be aggressive to the plastic parts in the equipment. Ensure that no water can get into the interior of the equipment. The ingress of water into an electric power tool increases the risk of an electric shock.

#### 7.2 Maintenance

There are no other parts inside the equipment which require maintenance.

## 8. Disposal and recycling

The equipment is supplied in packaging to prevent it from being damaged in transit. The raw materials in this packaging can be reused or recycled. The equipment and its accessories are made of various types of material, such as metal and plastic. Never place defective equipment in your household refuse. The equipment should be taken to a suitable collection center for proper disposal. If you do not know the whereabouts of such a collection point, you should ask in your local council offices.

## 9. Storage

Store the equipment and its accessories out of children's reach in a dark and dry place at above freezing temperature. The ideal storage temperature is between 41°F and 86°F (5°C and 30°C). Keep the electric tool in its original packaging.

The reprinting or reproduction by any other means, in whole or in part, of documentation and papers accompanying the products is strictly subject to the express consent of Einhell Germany AG.

Subject to technical changes.





**Danger!** - Lire le mode d'emploi pour diminuer le risque de blessures.



**Attention ! Portez une protection auditive.** Le bruit peut provoquer une perte d'acuité auditive.



**Attention ! Portez un masque anti-poussières.** Des poussières nocives peuvent être générées lors des travaux avec le bois et autres matériaux. Ne travaillez pas avec un matériau contenant de l'amiante !



**Attention ! Portez des lunettes de protection.** Les étincelles créées pendant le travail ou les éclats, les copeaux et les poussières sortant de l'appareil peuvent entraîner la perte de la vue.



Conservez les batteries uniquement dans des locaux secs et à une température ambiante de 50-104 °F (+10-+40 °C). Conservez les batteries uniquement en état chargé (au moins 40 % de charge).



**Ce capot de protection convient pour le meulage.**



**Ce capot de protection convient pour le tronçonnage et le meulage.**  
(non inclus dans la livraison en 4431122)

**Danger !**

Certaines mesures de sécurité doivent être respectées pendant l'utilisation des appareils pour empêcher les blessures et les dommages. Par conséquent, lisez attentivement le présent mode d'emploi / les consignes de sécurité. Conservez-les bien pour avoir les informations toujours à la portée de la main. Si vous devez passer l'appareil à d'autres personnes, veuillez leur remettre également le présent mode d'emploi / les consignes de sécurité. Nous ne sommes pas tenus des accidents ou dommages survenus à cause de non-respect du présent mode d'emploi et des consignes de sécurité.

**1. Consignes de sécurité****Danger !**

**Lisez toutes les consignes de sécurité et instructions.** Le non-respect des consignes de sécurité et des instructions peut causer une électrocution, un incendie et / ou de graves blessures. **Conservez toutes les consignes de sécurité et instructions pour l'avenir.**

**Consignes générales de sécurité pour les outils électriques**

Le terme « outil électrique » utilisé dans les consignes de sécurité se réfère à des outils électriques alimentés par le secteur (avec câble d'alimentation) et à des outils électriques alimentés par la batterie (sans câble d'alimentation).

**1. Sécurité du lieu de travail**

- a) **Maintenez votre espace de travail propre et bien éclairé.** *Le désordre ou les espaces de travail non éclairés peuvent provoquer des accidents.*
- b) **Ne travaillez pas avec l'outil électrique dans une atmosphère explosible contenant des liquides, des gaz ou des poussières combustibles.** *Les appareils électriques génèrent des étincelles pouvant enflammer la poussière ou les vapeurs.*
- c) **Tenez à distance les enfants et autres personnes lors de l'utilisation de l'appareil électrique.** *En cas de distraction, vous pouvez perdre le contrôle de l'appareil.*

**2. Sécurité électrique**

- a) **La fiche de raccordement de l'appareil électrique doit être adaptée à la prise. La fiche ne doit être modifiée en aucune façon. N'utilisez pas de fiche d'adaptateur avec les outils électriques mis à la terre.** *Les fiches non modifiées et les prises adaptées diminuent le risque d'une électrocution.*
  - b) **Évitez le contact physique avec les surfaces mises à la terre, comme celles de conduits, des chauffages, des cuisinières et des réfrigérateurs.** *Il existe un risque élevé d'électrocution lorsque votre corps est mis à la terre.*
  - c) **Gardez les appareils électriques à l'abri de la pluie ou de l'humidité.** *La pénétration de l'eau dans un appareil électrique augmente le risque d'une électrocution.*
  - d) **Ne détournez pas le câble de sa fonction pour porter ou pour accrocher l'appareil électrique ou pour retirer la fiche de la prise. Gardez le câble à l'abri de la chaleur, de l'huile, des bords coupants ou des éléments mobiles de l'appareil.** *Les câbles endommagés ou enchevêtrés augmentent le risque d'une électrocution.*
  - e) **Si vous travaillez avec un appareil électrique dehors, utilisez uniquement une rallonge adaptée à l'usage à l'extérieur.** *L'utilisation d'une rallonge adaptée à l'usage à l'extérieur diminue le risque d'une électrocution.*
  - f) **Si l'appareil électrique doit être utilisé dans un environnement humide, utilisez un Disjoncteur de fuite à la terre.** *L'utilisation d'un disjoncteur de fuite à la terre diminue le risque d'une électrocution.*
- 3. Sécurité des personnes**
- a) **Soyez attentif, prenez garde à ce que vous faites et soyez raisonnable en travaillant avec un outil électrique. N'utilisez pas un appareil électrique si vous êtes fatigué ou si vous vous trouvez sous l'effet de drogues, d'alcool ou de médicaments.** *Un instant d'inattention lors de l'utilisation de l'appareil électrique peut entraîner de graves blessures.*
  - b) **Utilisez l'équipement de protection individuelle. Porter toujours une protection des yeux.** *L'équipement de protection, tel que le masque anti-poussière, les chaussures de sécurité antidérapantes, le casque protecteur ou la protection auditive utilisés dans des conditions appropriées, permet de réduire les*

- dommages corporels.*
- c) **Évitez tout démarrage non intentionnel. S'assurer que le bouton marche-arrêt est en position Arrêt (Off) avant de connecter la source de courant et/ou la BATTERIE, de prendre et de transporter l'outil.** *Transporter des outils électriques avec votre doigt sur le bouton marche-arrêt ou mettre sous tension des outils électriques dont le bouton marche-arrêt est position Marche (On) peut causer des accidents.*
- d) **Avant d'allumer l'outil électrique, retirez les outils de réglage ou les clés.** *Un outil ou une clé se trouvant dans un élément tournant de la machine peut entraîner des blessures.*
- e) **Évitez une posture anormale. Ayez un appui stable et gardez l'équilibre en permanence.** *Vous pouvez ainsi mieux contrôler l'outil électrique dans des situations imprévues.*
- f) **Portez des vêtements appropriés. Ne portez pas de vêtements amples ni de bijoux. Gardez les cheveux, les vêtements et les gants à distance des éléments mobiles.** *Des vêtements amples, bijoux ou longs cheveux peuvent être happés par les éléments mobiles.*
- g) **Si des dispositifs d'aspiration ou de récupération des poussières peuvent être montés, assurez-vous qu'ils sont connectés et peuvent être utilisés correctement.** *L'utilisation d'une aspiration des poussières peut diminuer les risques causés par la poussière.*
- h) **La familiarité acquise par l'utilisation fréquente des outils ne doit pas laisser place à la complaisance et à l'ignorance des principes de sécurité de l'outil.** *Une action imprudente peut causer de graves blessures en une fraction de seconde.*
- 4. Utilisation et traitement de l'outil électrique**
- a) **Ne surchargez pas l'appareil.** *Utilisez l'outil électrique adapté à votre application. Vous travaillez mieux et de manière plus sûre avec un outil électrique approprié dans la gamme de puissance indiquée.*
- b) **N'utilisez pas un outil électrique avec un interrupteur défectueux.** *Un outil électrique qui ne peut plus être allumé ou éteint est dangereux et doit être réparé.*
- c) **Débranchez la fiche de la source électrique et / ou retirez la batterie de l'outil électrique, si elle est amovible, avant de procéder à des ajustements, remplacer des accessoires ou ranger les outils électriques.** *De telles mesures préventives réduisent le risque de démarrage accidentel de l'outil électrique.*
- d) **Conservez les outils électriques non utilisés hors la portée des enfants. Ne permettez pas aux personnes qui ne sont pas familiarisées avec cet appareil ou qui n'ont pas lu ces instructions de l'utiliser.** *Les outils électriques sont dangereux lorsqu'ils sont utilisés par des personnes inexpérimentées.*
- e) **Entretenez les outils électriques et les accessoires. Vérifiez la dérive d'alignement ou l'attache des pièces mobiles, la rupture des pièces et s'assurer qu'aucun autre problème peut affecter le bon fonctionnement de l'outil électrique. Faire réparer l'outil endommagé avant l'utilisation.** *De nombreux accidents sont dus au mauvais entretien des outils électriques.*
- f) **Maintenez vos outils de coupe aiguisés et propres.** *Les outils de coupe aux bords tranchants bien soignés se coincent moins et sont plus aisés à guider.*
- g) **Utilisez l'outil électrique, les accessoires, les outils utilisés, etc. conformément au présent mode d'emploi. Tenez compte des conditions de travail et de l'activité à réaliser.** *L'utilisation des outils électriques pour des usages autres que prévus peut entraîner des situations dangereuses.*
- h) **Gardez les poignées et les surfaces de prise sèches, propres et exemptes d'huile et de graisse.** *Les poignées et surfaces de prise glissantes ne permettent pas d'effectuer une manipulation et un contrôle de l'outil en toute sécurité dans des situations imprévues.*
- 5. Utilisation et traitement de l'outil sans fil**
- a) **Chargez les batteries uniquement dans les chargeurs recommandés par le fabricant.** *L'utilisation d'un chargeur pour des batteries non appropriées présente un risque d'incendie.*
- b) **Utilisez dans les outils électriques uniquement les batteries prévues à cet effet.** *L'utilisation d'autres batteries peut entraîner des blessures et le risque d'incendie.*
- c) **Conservez la batterie non utilisée à distance des trombones, pièces de monnaie, clés, clous, vis ou autres menus objets en métal susceptibles de provoquer un**

**pontage des contacts.** *Un court-circuit entre les contacts de la batterie peut entraîner des brûlures ou le feu.*

- d) **En cas d'utilisation incorrecte, un liquide peut s'échapper de la batterie. Ne le touchez pas. Rincez à l'eau en cas de contact fortuit. Si le liquide entre en contact avec les yeux, consultez également le médecin.** *Le liquide s'échappant de la batterie peut causer des irritations cutanées ou des brûlures.*
- e) **Ne pas utiliser une BATTERIE ou un outil endommagé(e) ou modifié(e).** *Les batteries endommagées ou modifiées peuvent agir de manière imprévisible et donner lieu à un incendie, une EXPLOSION ou un risque de blessure.*
- f) **Ne pas exposer une BATTERIE ou un outil au feu ou à une température excessive.** *Une exposition au feu ou à une température supérieure à 266°F (130°C) peut causer une explosion.*
- g) **Suivre toutes les instructions de charge et ne pas charger la BATTERIE ou l'outil en dehors de la gamme de température spécifiée dans les instructions.** *Un mauvais chargement ou un chargement à des températures en dehors de la gamme spécifiée peut endommager la BATTERIE et augmenter les risques d'incendie.*
- 6. Service**
- a) **Faites réparer votre outil électrique uniquement par des spécialistes qualifiés et uniquement avec des pièces de rechange d'origine.** *Cela garantit le maintien de la sécurité de l'outil électrique.*
- b) **Ne jamais entretenir des BATTERIES endommagées.** *L'entretien des BATTERIES doit être effectué uniquement par le fabricant ou par des prestataires de service autorisés.*

#### Consignes spécifiques de sécurité

Nous construisons chaque batterie avec le plus grand soin possible pour pouvoir vous transmettre les batteries avec la densité énergétique, la durabilité et la sécurité maximales. Les cellules de batterie sont munies de dispositifs de sécurité de plusieurs niveaux. Chaque cellule individuelle est d'abord formatée, et leurs courbes caractéristiques sont enregistrées. Ensuite, ces données sont utilisées pour pouvoir regrouper les meilleures batteries possible.

**Malgré toutes les mesures de sécurité, il faut toujours être prudent en maniant les**

**batteries. Les points suivants doivent être impérativement respectés pour assurer le fonctionnement sûr.**

**Le fonctionnement sûr n'est possible qu'avec des cellules intactes ! Une manipulation incorrecte endommage les cellules.**

**Attention !** Des analyses confirment que l'utilisation gravement inappropriée et des soins incorrects constituent la cause principale des dommages dus aux batteries haute performance.

#### Consignes concernant les batteries

1. La batterie de l'appareil sans fil n'est pas chargée à la livraison. Par conséquent, la batterie doit être chargée avant la première mise en service.
2. Évitez des cycles de décharge à plat pour garantir la performance maximale de la batterie ! Chargez souvent votre batterie.
3. Conservez votre batterie au frais, au mieux à 59 °F (+15 °C), et chargée d'au moins à 40%.
4. Les batteries Lithium-Ion sont sujettes au vieillissement naturel. La batterie doit être remplacée au plus tard lorsque la capacité de la batterie ne correspond plus qu'à 80 % de l'état neuf. Les cellules affaiblies dans une batterie vieillie ne tiennent plus la tête aux exigences élevées en terme de performance et présentent ainsi un risque de sécurité.
5. Ne jetez pas les batteries usées dans le feu ouvert. Risque d'explosion !
6. Ne pas allumer la batterie et ne pas l'exposer à la combustion.
7. **Ne pas décharger complètement la batterie !** La décharge complète endommage les cellules de la batterie. La cause la plus fréquente de la décharge complète de la batterie constitue un stockage ou non-utilisation prolongés des batteries à moitié chargées. Terminez l'opération dès que la puissance diminue visiblement ou la protection électronique réagit. Ne conservez la batterie que complètement chargée.
8. **Protéger les batteries et l'appareil contre la surcharge !** Une surcharge provoque rapidement la surchauffe et l'endommagement des cellules à l'intérieur du boîtier de batterie, sans que cela puisse se voir de l'extérieur.
9. **Évitez les détériorations et les chocs !** Remplacez sur-le-champ les batteries ayant chuté d'une hauteur de plus d'un mètre ou ayant été exposées à des coups violents, même si le boîtier de la batterie semble intact.

Les cellules de la batterie peuvent être sérieusement endommagées à l'intérieur. Respectez à cet égard également les consignes d'élimination.

10. En cas de surcharge et de surchauffe, le circuit de protection intégré éteint l'appareil pour des raisons de sécurité.  
**Attention !** N'actionnez plus l'interrupteur marche / arrêt lorsque le circuit de protection a éteint l'appareil. Cela peut endommager la batterie.
11. N'utilisez que des batteries d'origine. L'utilisation d'autres batteries peut entraîner des blessures, une explosion et le risque d'incendie.
12. **Protégez votre batterie de l'humidité, de la pluie et de l'humidité de l'air élevée.** L'humidité, la pluie et l'humidité de l'air élevée peuvent endommager dangereusement les cellules. En aucun cas, ne chargez ni ne travaillez avec la batterie qui a été exposée à l'humidité, à la pluie ou à l'humidité de l'air élevée – remplacez-les immédiatement !
13. Si votre appareil est équipé d'une batterie amovible, retirez-la de votre appareil à la fin de votre travail pour des raisons de sécurité.

#### Consignes concernant le chargeur et la charge

1. Tenez compte des informations indiquées sur la plaque signalétique du chargeur. Raccordez le chargeur uniquement à la tension d'alimentation indiquée sur la plaque signalétique.
2. Protégez le chargeur et le fil contre l'endommagement et les bords coupants. Les câbles endommagés doivent être immédiatement remplacés par un électricien.
3. Protéger le chargeur, les batteries et l'appareil sans fil contre les enfants.
4. Ne pas utiliser des chargeurs endommagés.
5. N'utilisez pas le chargeur fourni pour charger d'autres appareils sans fil.
6. En cas de forte sollicitation, la batterie se réchauffe. Laissez refroidir la batterie à la température ambiante avant le chargement.
7. **Ne pas surcharger les batteries !** Respectez les durées maximales du chargement. Ces durées de chargement s'appliquent uniquement aux batteries déchargées. Le branchement répété d'une batterie chargée ou partiellement chargée entraîne la surcharge et l'endommagement des cellules. Ne pas laisser les batteries insérées dans le chargeur pendant plus que 48 heures.

8. **N'utilisez ni chargez pas les batteries que vous supposez avoir été chargées pour la dernière fois depuis plus de 12 mois.** Il est hautement probable que la batterie est déjà dangereusement endommagée (déchargement complet).
9. Un chargement à une température inférieure à 50 °F (10 °C) entraîne une détérioration chimique de la cellule et peut provoquer un incendie.
10. N'utilisez pas de batteries qui se sont réchauffées pendant le chargement, car les cellules de la batterie pourraient être dangereusement endommagées.
11. N'utilisez plus les batteries qui se sont bombées ou déformées pendant le chargement ou qui présentent des symptômes inhabituels (dégazage, sifflement, grésillement, ...).
12. Ne déchargez pas complètement la batterie (déchargement maximal recommandé max. 80 %). Le déchargement complet entraîne un vieillissement précoce des cellules de la batterie.
13. Ne chargez jamais les batteries sans surveillance !

#### Protection contre l'impact environnemental

1. Portez des vêtements de travail appropriés. Porter des lunettes de protection.
2. **Protégez votre appareil sans fil et le chargeur contre l'humidité et la pluie.** L'humidité et la pluie peuvent entraîner des endommagements dangereux des cellules.
3. Ne pas utiliser l'appareil sans fil et le chargeur dans un espace contenant des vapeurs et des liquides combustibles.
4. Utilisez le chargeur et les appareils sans fil uniquement en état sec et à une température ambiante de 50-104 °F (10-40 °C).
5. Ne conservez pas la batterie dans des endroits où la température peut être supérieure à 104 °F (40 °C), en particulier dans un véhicule garé au soleil.
6. **Protégez les batteries contre la surchauffe !** Une surcharge, un chargement excessif ou le rayonnement solaire entraînent la surchauffe et détériorent les cellules. Ne chargez ni travaillez en aucun cas avec les batteries qui ont été surchauffées, remplacez-les sans tarder.
7. **Conservation des batteries, des chargeurs et de l'appareil sans fil.** Conservez le chargeur et votre appareil sans fil uniquement dans des locaux secs à une température ambiante de 50-104 °F (10-40 °C).

- Conservez la batterie Lithium-Ion au frais et au sec à 50-68 °F (10-20 °C). Protégez contre l'humidité de l'air et le rayonnement solaire direct ! Conservez les batteries uniquement en état chargé (au moins 40 % de charge).
- Empêchez que la batterie Lithium-Ion gèle. Les batteries qui ont été conservées plus de 60 minutes au-dessous de 32 °F (0 °C) doivent être éliminées.
  - Attention lors de la manipulation des batteries en rapport avec la charge électrostatique : les décharges électrostatiques endommagent la protection électronique et les cellules de la batterie ! Par conséquent, évitez les décharges électrostatiques et ne touchez jamais les pôles de la batterie !

#### Mise en garde concernant les batteries et informations sur leur élimination

##### Élimination

Si votre outil doit être remplacé après une période d'utilisation prolongée, ne le jetez pas avec les ordures ménagères, mais éliminez-le d'une manière respectueuse pour l'environnement.



Les déchets produits par les éléments d'un outil ou d'une machine électrique ne doivent pas être traités comme des déchets ménagers. Veuillez les recycler dans les installations prévues à cet effet.

Pour obtenir des conseils sur le recyclage, communiquez avec les services publics locaux ou avec votre revendeur.

Éliminez toujours les batteries en vous conformant aux réglementations fédérales, provinciales ou territoriales et locales.

Communiquez avec un organisme de recyclage de votre région pour obtenir la liste des sites de recyclage.

**⚠ MISE EN GARDE!** Même déchargée, une batterie emmagasine une certaine énergie. Avant de l'éliminer, utilisez du ruban isolant pour couvrir les bornes et empêcher ainsi la batterie de provoquer un court-circuit, ce qui pourrait causer un incendie ou une explosion.

**⚠ AVERTISSEMENT!** Pour réduire le risque de blessure ou d'explosion, ne jamais brûler ou incinérer une batterie, même si elle est endommagée, à plat ou complètement déchargée. En brûlant, des vapeurs et des matières toxiques sont émises dans l'atmosphère environnante.

- Les batteries varient selon le type d'outils ou de machines. Consulter le manuel pour des

- renseignements spécifiques.
- Le cas échéant, insérez uniquement des batteries neuves de même type dans l'outil ou la machine.
  - Si, en l'insérant, la polarité de la batterie n'est pas respectée, comme indiqué dans le compartiment à batterie ou dans le manuel, sa durée de vie pourrait être réduite ou elle pourrait fuir.
  - Ne pas mélanger des batteries anciennes et des neuves.
  - Ne pas mélanger des batteries alcalines, standard (carbone/zinc) ou rechargeables (au nickel-cadmium, au nickel-métal-hydrure ou au lithium-ion).
  - Ne jeter aucune batterie au feu. Les cellules de batterie peuvent exploser.
  - Les batteries doivent être recyclées ou éliminées en observant les directives provinciales ou territoriales et locales.

**Pour expédier ou éliminer les batteries ou l'appareil sans fil, veillez à ce qu'ils soient emballés individuellement dans un sachet en plastique pour empêcher les courts-circuits ou les incendies !**

##### Consignes de sécurité pour toutes les utilisations

- Cet outil électrique doit être utilisé en tant que rectifieuse et tronçonneuse à disque. Respectez toutes les consignes de sécurité, instructions et informations que vous recevez avec l'appareil.** Si vous ne respectez pas ces instructions, cela peut entraîner une électrocution, un incendie et / ou de graves blessures.
- Cet outil électrique ne convient pas pour le ponçage du papier de verre, les travaux avec des brosses en métal ou le polissage.** Les utilisations non prévues pour l'outil électrique peuvent causer des risques et des blessures.
- N'utilisez pas les accessoires qui ne sont ni prévus ni recommandés par le fabricant spécifiquement pour cet outil électrique.** Le seul fait de pouvoir fixer les accessoires sur votre outil électrique ne garantit pas une utilisation sûre.
- La vitesse de rotation admissible de l'accessoire doit être au moins aussi élevée que la vitesse de rotation maximale indiquée sur l'outil électrique.** Les accessoires qui tournent plus vite que la vitesse autorisée peuvent se casser et être projetés au vol.



- e) **Le diamètre extérieur et l'épaisseur de l'accessoire doivent correspondre aux dimensions de votre outil électrique.** Les accessoires mal mesurés peuvent ne pas être suffisamment protégés ou contrôlés.
- f) **Les accessoires filetés doivent correspondre exactement au filetage de l'arbre du porte-meule. En cas d'accessoires montés au moyen d'une bride, le diamètre de l'alésage de l'accessoire doit correspondre au diamètre de saisie de la bride.** Les accessoires d'insertion qui ne sont pas fixés exactement à l'outil électrique tournent de façon irrégulière, vibrent fortement et peuvent entraîner la perte de contrôle.
- g) **N'utilisez pas d'accessoires endommagés. Avant chaque utilisation, vérifiez si les accessoires, comme les meules abrasives, présentent des ébrèchements et des fissures, les disques de meulage, des fissures, l'usure ou forte abrasion, les brosses en métal, des fils détachés ou cassés. Si l'outil électrique ou l'accessoire tombent par terre, vérifiez s'ils sont endommagés ou utilisez un accessoire intact. Lorsque vous avez vérifié et inséré l'outil d'insertion, tenez-vous vous-même et les personnes se trouvant à proximité en dehors du plan de l'outil d'insertion tournant et faites tourner l'appareil à la vitesse maximale pendant une minute.** Le plus souvent, les accessoires endommagés se cassent pendant cette durée de test.
- h) **Portez un équipement de protection individuelle. En fonction de l'utilisation, utilisez une protection faciale intégrale, une protection oculaire ou des lunettes de protection. Le cas échéant, portez un masque anti-poussière, une protection auditive, des gants de protection ou un tablier spécifique qui met hors la portée des petites particules abrasives et des particules de matériau.** Les yeux doivent être protégés des corps étrangers projetés produits au cours de différentes utilisations. Les masques anti-poussière ou respiratoires doivent filtrer la poussière produite au cours de l'utilisation. Si vous êtes exposé de manière prolongée à des bruits forts, vous pouvez subir une perte auditive.
- i) **Veillez à ce que d'autres personnes respectent la distance de sécurité par rapport à votre zone de travail. Toute personne pénétrant dans la zone de travail doit porter un équipement de protection individuelle.** Des éclats de la pièce usinée ou des accessoires cassés peuvent s'envoler et causer des blessures même en dehors de la zone de travail immédiate.
- j) **Tenez l'appareil uniquement par les surfaces isolées pendant les travaux au cours desquels l'accessoire peut entrer en contact avec des fils électriques dissimulés.** Le contact avec un fil sous tension peut aussi mettre sous tension les éléments métalliques de l'appareil et entraîner une électrocution.
- k) **Éloignez le câble d'alimentation des outils d'insertion tournants.** Si vous perdez le contrôle de l'appareil, le câble d'alimentation peut être sectionné ou emporté et votre main ou votre bras peuvent entrer dans l'outil d'insertion tournant.
- l) **Ne posez jamais l'outil électrique avant que l'accessoire s'arrête complètement.** L'accessoire tournant peut entrer en contact avec la surface de rangement vous privant ainsi du contrôle de l'outil électrique.
- m) **Ne faites pas fonctionner l'outil électrique lorsque vous le portez.** L'accessoire tournant peut happer votre vêtement lors d'un contact fortuit et percer votre corps.
- n) **Nettoyez régulièrement les fentes d'aération de votre outil électrique.** Le ventilateur du moteur attire la poussière dans le moteur, et une forte accumulation de poussière métallique peut provoquer des risques électriques.
- o) **N'utilisez pas l'outil électrique à proximité de matériaux combustibles.** Les étincelles peuvent enflammer ces matériaux.
- p) **N'utilisez pas des accessoires qui exigent des liquides de refroidissement.** L'utilisation de l'eau ou d'autres liquides de refroidissement peut provoquer une électrocution.

#### Consignes de sécurité complémentaires pour toutes les utilisations

##### Recul et consignes de sécurité correspondantes

Le recul est la réaction soudaine à un comportement accroché ou bloqué d'un accessoire tournant, comme la meule abrasive, le disque de meulage, la brosse en métal, etc. L'accrochage ou le blocage entraînent un arrêt soudain de l'accessoire tournant. Cela accélère un outil électrique incontrôlé contre le sens de rotation de l'accessoire à l'endroit de blocage.

Si, par exemple une meule abrasive s'accroche ou se bloque dans la pièce à usiner, le bord de la meule abrasive pénétrée dans la pièce à usiner peut se faire prendre et ainsi provoquer la cassure de la meule abrasive ou un recul. La meule abrasive se déplace alors en direction de l'opérateur ou dans le sens inverse, selon le sens de rotation de la meule à l'endroit de blocage. Les meules abrasives peuvent alors se casser.

Un recul est la conséquence d'un mauvais usage ou d'un usage erroné de l'outil électrique. Il peut être évité grâce à des précautions appropriées décrites ci-après.

- a) **Tenez l'outil électrique bien fermement et mettez votre corps et vos bras en position permettant d'amortir les reculs. Utilisez toujours la poignée supplémentaire, s'il y en a, pour s'assurer le meilleur contrôle possible des forces de recul ou des moments de réaction au démarrage.** L'opérateur peut maîtriser les forces de recul et de réaction grâce aux précautions appropriées.
- b) **Ne placez jamais vos mains à proximité d'un accessoire tournant.** L'accessoire peut se déplacer au-dessus de votre main en cas de recul.
- c) **Évitez de placer votre corps dans une zone où l'outil électrique se déplacera en cas d'un recul.** Le recul amène l'outil électrique dans la direction opposée au mouvement de la meule abrasive à l'endroit de blocage.
- d) **Travaillez avec une prudence particulière dans la zone des angles, des arrêtes tranchantes, etc. Évitez le rebondissement des accessoires de la pièce à usiner et leur coincement.** L'accessoire tournant à la propension au coincement dans la zone des angles, des arêtes tranchantes et lorsqu'il rebondit. Cela provoque une perte de contrôle ou un recul.
- e) **N'utilisez pas de lames de scie à chaîne ou dentées.** De tels accessoires provoquent souvent un recul ou la perte de contrôle de l'outil électrique.

#### Consignes de sécurité particulières pour le rectifiage et le tronçonnage

- a) **Utilisez exclusivement les meules homologuées pour votre outil électrique et le capot de protection prévu pour ces meules.** Les meules, qui ne sont pas prévues pour l'appareil électrique, ne peuvent pas être

protégées suffisamment et sont instables.

- b) **Le capot de protection doit être bien fixé sur l'outil électrique et réglé de manière à garantir la sécurité maximale, c'est à dire que la partie la plus petite possible de la meule soit orientée vers l'opérateur.** Le capot de protection aide à protéger l'opérateur des éclats, des contacts fortuits avec la meule ainsi que des étincelles susceptibles d'enflammer les vêtements.
- c) **Les meules ne doivent être utilisées que pour les usages recommandés. Par exemple : ne poncez jamais avec la surface latérale d'une meule de tronçonnage.** Les meules de tronçonnage sont destinées à enlever le matériel avec l'arrête de la meule. L'action de la force latérale sur ces meules peut les briser.
- d) **Utilisez toujours des brides de serrage intactes de taille et de forme adaptées à la meule choisie.** Les brides appropriées protègent la meule et réduisent le risque de brisure des meules. Les brides pour les meules de tronçonnage peuvent différer des brides pour d'autres meules.
- e) **N'utilisez pas de meules usées des outils électriques plus grands.** Les meules prévues pour des outils électriques plus grands ne sont pas conçues pour les vitesses de rotation supérieures de petits outils électriques et peuvent se briser.
- f) **Les meules coudées doivent être montées de manière à ce que leur surface de meulage ne dépasse pas le niveau du bord du capot de protection.** Une meule mal montée dépassant le niveau du bord du capot de protection ne peut être suffisamment protégée.

#### Consignes de sécurité particulières complémentaires pour le tronçonnage

- a) **Évitez les blocages de la meule de tronçonnage et la pression de contact excessive. N'effectuez pas de coupes excessivement profondes.** Une surcharge de la meule de tronçonnage accroît sa sollicitation et sa propension à l'inclinaison et au blocage et ainsi la possibilité d'un recul ou d'une brisure de meule.
- b) **Évitez la zone devant et derrière la meule de tronçonnage tournante.** Lorsque vous éloignez de vous la meule de tronçonnage dans la pièce à usiner, en cas d'un recul, l'outil électrique avec la meule tournante peut être propulsé directement vers vous.



- c) **Si la meule de tronçonnage coince ou si vous interrompez le travail, éteignez l'appareil et tenez-le fermement jusqu'à l'arrêt de la meule. N'essayez jamais de retirer la meule de tronçonnage encore tournante de la coupe au risque de provoquer un recul.** Déterminez et supprimez la cause du coincement.
- d) **Ne rallumez pas l'appareil tant qu'il se trouve dans la pièce à usiner. Attendez d'abord que la meule de tronçonnage atteigne son plein régime avant de poursuivre prudemment la coupe.** Sinon, la meule peut s'accrocher, bondir de la pièce à usiner ou causer un recul.
- e) **Appuyez les plaques ou de grandes pièces à usiner afin de réduire le risque d'un recul dû au coincement d'une meule de tronçonnage.** De grandes pièces à usiner peuvent se courber sous leur propre poids. La pièce à usiner doit être appuyée sur les deux côtés de la meule, à savoir aussi bien à proximité de la coupe de tronçonnage que sur le bord.
- f) **Soyez particulièrement prudent en cas des « coupes de cavités » dans les parois existantes ou d'autres zones inaccessibles.** La meule de tronçonnage plongeante peut provoquer un recul en cas de coupe des conduites de gaz ou d'eau, fils électriques ou autres objets.

## CONSERVER CES INSTRUCTIONS

## 2. Description de l'appareil et contenu de l'emballage

### 2.1 Description de l'appareil

1. Blocage de l'arbre
2. Interrupteur de marche / d'arrêt
3. Poignée supplémentaire
4. Dispositif de protection
5. Clé à ergots
6. Bride de serrage
7. Écrou de bride
8. Batterie au Lithium-Ion (non inclus dans la livraison en 4431122)
9. Levier de serrage
10. Témoin de chargement de la batterie
11. Bouton d'indicateur de capacité de batterie

### 2.2 Contenu d'emballage

Veillez contrôler l'intégralité de l'article au moyen du contenu d'emballage décrit. En cas de pièces manquantes, veuillez contacter notre centre de service à la clientèle ou le point de vente où vous avez acheté l'appareil au plus tard dans les 5 jours ouvrables à compter de l'achat de l'article en présentant un ticket de caisse valable.

- Ouvrez l'emballage et retirez prudemment l'appareil.
- Enlevez le matériau d'emballage ainsi que les sécurités d'emballage et de transport (le cas échéant).
- Vérifiez l'intégralité du contenu d'emballage.
- Vérifiez si l'appareil et les accessoires présentent des dommages dus au transport.
- Si possible, conservez l'emballage jusqu'à l'expiration de la durée de garantie.

### Danger !

**L'appareil et le matériau d'emballage ne sont pas un jouet ! Les enfants ne doivent pas jouer avec des sachets en plastique, des films ou de petites pièces ! Il existe le risque d'ingestion et de suffocation !**

- Rectifieuse d'angle
- Poignée supplémentaire
- Clé à ergots
- Dispositif de protection pour la coupe
- Mode d'emploi d'origine avec consignes de sécurité

### Accessoires disponibles séparément

18V 1,5Ah PXC batterie Lithium-Ion  
 18V 2,0Ah PXC batterie Lithium-Ion  
 18V 2,5Ah PXC batterie Lithium-Ion  
 18V 3,0Ah PXC batterie Lithium-Ion  
 18V 4,0Ah PXC batterie Lithium-Ion  
 18V 3,0Ah PXC Plus batterie Lithium-Ion  
 18V 4,0Ah PXC Plus batterie Lithium-Ion  
 18V 5,2Ah PXC Plus batterie Lithium-Ion  
 18V 4,0Ah/6,0Ah PXC Plus batterie Lithium-Ion  
 18V 5,0Ah/8,0Ah PXC Plus batterie Lithium-Ion  
 18V PXC chargeur rapide à double raccord  
 18V PXC chargeur rapide

Contactez votre détaillant pour les modèles plus spécifiques de batteries et de chargeurs disponibles dans votre région. Vous pouvez également explorer les options de batterie + chargeur sur [Einhell.com](http://Einhell.com).

### 3. Utilisation conforme


La rectifieuse d'angle est destinée au meulage du métal et de la maçonnerie au moyen d'une meule et de dispositif de protection correspondants.

**Avertissement !** La rectifieuse d'angle ne doit être utilisée pour tronçonner le métal et la maçonnerie qu'avec le dispositif de protection monté, disponible en tant qu'accessoire.

La machine ne doit être utilisée que conformément à sa destination. Toute autre utilisation dépassant ce cadre n'est pas conforme. C'est l'utilisateur / l'opérateur qui est responsable de tous les dommages ou blessures de toute nature en résultant et non pas le fabricant.

Veuillez noter que nos appareils n'ont pas été conçus pour une utilisation commerciale, artisanale ou industrielle. Nous n'accordons aucune garantie si l'appareil est utilisé dans des entreprises commerciales, artisanales ou industrielles ou pour des activités équivalentes.

### 4. Caractéristiques techniques

Alimentation en tension moteur : ..... 18 V   
 Vitesse de rotation nominale : .8500 tr/min (min<sup>-1</sup>)  
 ø max. de meule : ..... 115 mm (4-1/2")  
 Meule abrasive : ..... (115 x 22 x 6 mm)  
 ..... (4-1/2" x 7/8" x 1/4")  
 Meule de tronçonnage : ..... 115 x 22 x 3 mm  
 ..... (4-1/2" x 7/8" x 1/8")  
 Filetage de la broche de fixation : ..... 5/8"-11 UNC  
 Poids (outil seulement) : ..... 1,8 kg (4 lb)

#### Portez une protection auditive.

Le bruit peut provoquer une perte d'acuité auditive.

#### Limitez à un minimum l'émission de bruit et les vibrations !

- Utilisez uniquement des appareils irréprochables.
- Entretenez et nettoyez l'appareil régulièrement.
- Adaptez votre méthode de travail à l'appareil.
- Ne surchargez pas l'appareil.
- Faites examiner l'appareil le cas échéant.
- Éteignez l'appareil lorsqu'il n'est plus utilisé.

#### Attention !

#### Risques résiduels

**Il existe toujours des risques même si vous vous servez correctement de cet outil électrique. Les risques suivants peuvent se produire en rapport avec la structure et la réalisation de cet outil électrique :**

1. Lésions pulmonaires, si vous ne portez pas de masque anti-poussières approprié.
2. Lésions auditives, si vous ne portez pas de protection auditive appropriée.
3. Dommages pour la santé résultant des vibrations mains-bras, si votre appareil est utilisé d'une manière prolongée ou tenu et entretenu de manière incorrecte.

#### Limitez la durée de travail.

À cet égard, toutes les parties du cycle de fonctionnement doivent être respectées (par exemple, les périodes pendant lesquelles l'outil électrique est éteint et celles pendant lesquelles il reste allumé mais fonctionne sans charge).

### 5. Avant la mise en service

#### Avertissement !

**Retirez toujours la batterie de l'appareil avant de procéder aux réglages.**

#### 5.1 Monter la poignée supplémentaire (fig. 2)

- La rectifieuse d'angle ne doit pas être utilisée sans poignée supplémentaire (3).
- La poignée supplémentaire peut être vissée aux trois positions (A, B, C).

Côté de l'appareil	Convient pour
À gauche (pos. A / comme illustré)	Droitier
À droite (pos. B)	Gaucher
En haut (pos. C)	Utilisation de meules de tronçonnage

#### 5.2 Remplacement et réglage du dispositif de protection (fig. 3)

##### Remplacement :

- Retirez l'écrou de bride (7) et la bride de serrage (6) en dessous.
- Ouvrez le levier de serrage (9) du dispositif de protection (4).
- Tournez le dispositif de protection (4) à 180°

- dans le sens des aiguilles d'une montre de manière à diriger la protection vers le haut.
- Enlevez le dispositif de protection (4).

Le montage s'effectue dans l'ordre inverse.

#### Réglage :

- Réglez le dispositif de protection (4) pour protéger vos mains de manière à éloigner les débris de meulage du corps.
- La position du dispositif de protection (4) peut être adaptée à toutes les conditions de travail: Desserrez le levier de serrage (9), tournez le capot (4) dans la position désirée.
- Veillez à ce que le dispositif de protection (4) recouvre correctement la boîte à engrenage.
- Fixez de nouveau le levier de serrage (9).
- Assurez-vous que le dispositif de protection (4) est bien fixé.

**⚠ Veillez à ce que le dispositif de sécurité soit bien fixé.**

**⚠ N'utilisez pas la rectifieuse d'angle sans dispositif de protection.**

#### 5.3 Essai de fonctionnement des nouvelles meules abrasives

Laissez tourner à vide la rectifieuse d'angle avec la meule abrasive ou la meule de tronçonnage pendant au moins 1 minute. Remplacer aussitôt les meules vibrantes.

## 6. Fonctionnement

### 6.1 Chargement de la batterie au Lithium-Ion (non inclus)

Vous trouverez les instructions correspondantes dans le mode d'emploi d'origine de votre chargeur.

### 6.2 Interrupteur (fig. 4)

La rectifieuse d'angle est munie d'un interrupteur de sécurité pour prévenir les accidents. Pour allumer l'interrupteur Marche / Arrêt (2), appuyez vers la droite, puis poussez vers l'avant. Pour éteindre la rectifieuse d'angle, enfoncez l'interrupteur Marche / Arrêt (2) vers l'arrière. L'interrupteur Marche / Arrêt (2) revient en position initiale.

**⚠ Attendez que la machine atteigne sa vitesse de rotation maximale. Ensuite, vous pouvez placer la rectifieuse d'angle sur la pièce à usiner et la couper.**

### 6.3 Affichage de la capacité de la batterie (image 13/Pos. 10)

Appuyez sur l'interrupteur de l'affichage de la capacité de la batterie (11). L'affichage de la capacité de la batterie (10) signale l'état de charge de la batterie au moyen de 3 DEL.

#### Les 3 DEL s'allument:

La batterie est complètement chargée.

#### 2 ou 1 DEL s'allument:

La batterie a une charge résiduelle suffisante.

#### 1 DEL clignote:

La batterie est déchargée, chargez la batterie.

#### Tous les voyants clignotent :

La température de la batterie est trop basse. Retirez la batterie de l'appareil, laissez-la à température ambiante pendant une journée. Si le défaut se reproduit, cela signifie que la batterie rechargeable a subi une décharge complète et est défectueuse. Retirez la batterie de l'équipement. N'utilisez ou ne chargez jamais une batterie défectueuse.

### 6.4 Remplacement des meules abrasives (fig. 5/6)

Pour remplacer les meules abrasives, vous avez besoin de la clé à ergots (5). La clé à ergot (5) est logée dans la poignée supplémentaire (3). En cas de besoin, retirez la clé à ergots (5) de la poignée supplémentaire (3).

**Danger !** Pour des raisons de sécurité, la rectifieuse d'angle ne peut pas être utilisée avec la clé à ergots (5) insérée.

#### Avertissement !

- Un remplacement de meules simple au moyen du blocage de l'arbre.
- Appuyez sur le blocage de l'arbre et laissez s'enclencher la meule abrasive.
- Retirez l'écrou de bride à l'aide de la clé à ergots. (voir fig. 6)
- Remplacez la meule abrasive ou de tronçonnage et serrez l'écrou de bride au moyen de la clé à ergots.

#### Remarque !

**N'appuyez sur le blocage de l'arbre si le moteur et l'arbre de meulage sont à l'arrêt ! Le blocage de l'arbre doit rester enfoncé lors du remplacement des meules !**

En cas de meules abrasives ou de tronçonnage d'une épaisseur jusqu'à 1/8" (3 mm), dévissez

l'écrou de bride avec la face plane orientée vers la meule abrasive ou la meule de tronçonnage.

### 6.5 Disposition des brides lors de l'utilisation des meules abrasives et des meules de tronçonnage (fig. 7-10)

- La disposition des brides lors de l'utilisation d'une meule abrasive coudée ou droite (fig. 8)
  - a) Bride de serrage (6)
  - b) Écrou de bride (7)
- La disposition des brides lors de l'utilisation d'une meule de tronçonnage coudée (fig. 9)
  - a) Bride de serrage (6)
  - b) Écrou de bride (7)
- La disposition des brides lors de l'utilisation d'une meule de tronçonnage droite (fig. 10)
  - a) Bride de serrage (6)
  - b) Écrou de bride (7)

### 6.6 Moteur

Le moteur doit être bien aéré pendant le travail, c'est pourquoi les orifices d'aération doivent toujours être propres.

### 6.7 Meules abrasives

- La meule abrasive ni la meule de tronçonnage ne doivent jamais dépasser le diamètre prescrit.
- Avant l'utilisation de la meule abrasive ou de la meule de tronçonnage, contrôlez leur vitesse de rotation indiquée.
- La vitesse de rotation maximale de la meule abrasive ou de la meule de tronçonnage doit être supérieure à la vitesse de rotation à vide de la rectifieuse d'angle.
- Utilisez uniquement des meules abrasives et les meules de tronçonnage autorisées pour une vitesse de rotation minimale de  $8500 \text{ min}^{-1}$  et pour une vitesse périphérique de 52 m/s.
- En cas d'utilisation de meules de tronçonnage diamantées, faites attention au sens de la rotation. Flèche du sens de rotation figurant sur la meule de tronçonnage diamantée doit correspondre à la flèche figurant sur l'appareil.

Veillez à l'entreposage et au transport corrects en particulier des meules. N'exposez jamais les meules aux chocs, coups ou arêtes tranchantes (p. ex., pendant le transport ou l'entreposage dans une caisse à outils). Cela pourrait endommager les meules, p. ex., les fissurer et créer ainsi un risque pour l'utilisateur.

## Avertissement !

### 6.8 Consignes de travail

#### 6.8.1 Ébarbage (fig. 11)

**⚠ Attention ! Utilisez le dispositif de protection pour le meulage (fourni).** L'ébarbage sera le plus réussi si vous placez la meule à un angle entre  $30^\circ$  et  $40^\circ$  par rapport au plan de meulage et la faites aller et venir sur la pièce à usiner de façon uniforme.

#### 6.8.2 Tronçonnage (fig. 12)

**⚠ Attention ! Utilisez le dispositif de protection pour le tronçonnage.** Ne pas incliner la rectifieuse d'angle dans le plan de coupe lors du tronçonnage. L'arête tranchante de la meule de tronçonnage doit être propre. Pour tronçonner de la maçonnerie dure, utilisez de préférence une meule de tronçonnage diamantée.

**⚠ Ne coupez pas les matériaux contenant de l'amiante !**

**⚠ N'utilisez jamais les meules de tronçonnage pour l'ébarbage.**

### Remarque :

Fonctionne au mieux avec des batteries P-X-C dont la capacité est supérieure à 3,0 Ah.

## 7. Nettoyage et entretien

### Danger !

Avant tout travail de nettoyage, retirez la batterie de l'appareil.

#### 7.1 Nettoyage

- Maintenez les dispositifs de protection, les fentes d'aération et les carters de moteur aussi exempt de poussières et de saletés que possible. Frottez l'appareil avec un linge propre et nettoyez-le à l'air comprimé à basse pression.
- Nous recommandons de nettoyer l'appareil directement après chaque utilisation.
- Nettoyez l'appareil régulièrement avec un linge humide et un peu de savon doux. N'utilisez pas de détergeant ni de solvants ; ils peuvent détériorer les éléments en plastique de l'appareil. Veillez à ce que l'eau ne puisse pas pénétrer à l'intérieur de l'appareil. La pénétration de l'eau dans un appareil électrique augmente le risque d'une électrocution.

## 7.2 Entretien

L'intérieur de l'appareil ne contient pas de pièces exigeant un entretien.

## 8. Élimination et recyclage

L'appareil se trouve dans un emballage pour empêcher les dommages dus au transport. Cet emballage constitue une matière première et peut par conséquent être réutilisé ou peut être recyclé. L'appareil et ses accessoires sont fabriqués à partir de différents produits, comme par exemple le métal et les matières plastiques. Ne jetez pas les appareils défectueux dans les déchets ménagers. Pour être éliminé de façon appropriée, l'appareil devrait être déposé à un lieu de collecte approprié. Si vous ne connaissez aucun lieu de collecte, informez-vous auprès de l'administration municipale.

## 9. Entreposage

Entreposez l'appareil et ses accessoires dans un endroit sombre, sec et exempt de gel ainsi que hors la portée des enfants. La température d'entreposage optimale se situe entre 41 °F et 86 °F (5 °C et 30 °C). Entreposez l'outil électrique dans l'emballage d'origine.

Une réimpression ou toute autre reproduction de la documentation et des documents accompagnant les produits, même par extraits, ne sont autorisées qu'avec accord exprès d'Einhell Germany AG.

Sous réserve des modifications techniques.



**Peligro!** - Leer el manual de instrucciones para reducir cualquier riesgo de sufrir daños



**Cuidado! Usar protección para los oídos.** La exposición al ruido puede ser perjudicial para el oído.



**Cuidado! Es preciso ponerse una mascarilla de protección.** Puede generarse polvo dañino para la salud cuando se realicen trabajos en madera o en otros materiales. ¡Está prohibido trabajar con material que contenga asbesto!



**Cuidado! Llevar gafas de protección.** Durante el trabajo, la expulsión de chispas, astillas, virutas y polvo por el aparato pueden provocar pérdida de vista.



Almacenamiento de las baterías sólo en espacios secos con una temperatura ambiente de 50°F to 104°F (+10°C to +40°C). Guardar las baterías únicamente cuando estén cargadas (mín. al 40%).



**Esta cubierta de protección es adecuada para lijar.**



**Esta cubierta de protección es adecuada para tronzar y para lijar.**  
(no incluido en la entrega en 4431122)

**Peligro!**

Al usar aparatos es preciso tener en cuenta una serie de medidas de seguridad para evitar lesiones o daños. Por este motivo, es preciso leer atentamente este manual de instrucciones/advertencias de seguridad. Guardar esta información cuidadosamente para poder consultarla en cualquier momento. En caso de entregar el aparato a terceras personas, será preciso entregarles, asimismo, el manual de instrucciones/advertencias de seguridad. No nos hacemos responsables de accidentes o daños provocados por no tener en cuenta este manual y las instrucciones de seguridad.

**1. Instrucciones de seguridad****Peligro!**

**Lea todas las instrucciones de seguridad e indicaciones.** El incumplimiento de dichas instrucciones e indicaciones puede provocar descargas, incendios y/o daños graves. **Guarde todas las instrucciones de seguridad e indicaciones para posibles consultas posteriores.**

**Instrucciones generales de seguridad para herramientas eléctricas**

El término de "herramienta eléctrica" que se usa en las instrucciones de seguridad se refiere a las herramientas que funcionan en red (con cable de conexión) y con batería (sin cable de conexión).

**1. Seguridad en el lugar de trabajo**

- a) **Mantener limpia y bien iluminada la zona de trabajo.** *Las zonas de trabajo desordenadas o sin luz pueden conllevar accidentes.*
- b) **No trabajar con este aparato eléctrico en un entorno explosivo en el que se hallen líquidos, gases o polvos inflamables.** *Las herramientas eléctricas generan chispas que pueden inflamar el polvo o los vapores.*
- c) **Mantener alejados a niños y a otras personas fuera del alcance de la herramienta eléctrica.** *Las distracciones pueden hacer perder el control sobre el aparato.*

**2. Seguridad eléctrica**

- a) **El enchufe del aparato eléctrico debe ser el adecuado para la toma de corriente. El enchufe no debe ser modificado de ningún modo. No emplear adaptadores de enchufe con aparatos eléctricos puestos a tierra.** *Los enchufes sin modificar y*

*las tomas de corriente adecuadas reducen el riesgo de una descarga eléctrica.*

- b) **Evitar el contacto corporal con superficies con toma de tierra como tubos, calefacciones, fogones y frigoríficos.** *Existe un gran riesgo de descarga eléctrica si su cuerpo se halla puesto a tierra.*
- c) **Mantener los aparatos eléctricos alejados de la lluvia o la humedad.** *Si entra agua en el aparato eléctrico existirá mayor riesgo de una descarga eléctrica.*
- d) **No utilizar el cable de forma inadecuada, no utilizarlo para transportar el aparato, colgarlo o retirarlo de la toma de corriente. Mantener el cable alejado del calor, aceites, cantos afilados o partes del aparato en movimiento.** *Los cables dañados o mal enrollados aumentan el riesgo de descarga eléctrica.*
- e) **Si se trabaja con una herramienta eléctrica al aire libre, emplear sólo alargaderas que también sean adecuadas para el exterior.** *El empleo de una alargadera apropiada para trabajos en el exterior reduce el riesgo de descarga eléctrica.*
- f) **Si no se puede evitar tener que utilizar la herramienta eléctrica en un entorno húmedo, utilizar un dispositivo de protección diferencial.** *El uso de un dispositivo de protección diferencial reduce el riesgo de sufrir una descarga eléctrica.*

**3. Seguridad de personas**

- a) **Prestar atención al trabajo, comprobar lo que se está haciendo y proceder de forma razonable durante el trabajo de una herramienta eléctrica. No emplear la herramienta eléctrica si se está cansado o bajo la influencia de drogas, alcohol o medicamentos.** *Una mínima falta de atención durante el uso de la herramienta eléctrica puede causar lesiones graves.*
- b) **Llevar equipamiento de protección personal y siempre unas gafas protectoras.** *El hecho de llevar equipamiento de protección personal como mascarilla, calzado de seguridad antideslizante, casco de protección o protección para los oídos, según el tipo y uso de la herramienta eléctrica, reduce el riesgo de sufrir lesiones.*
- c) **Prevenir un arranque no intencionado. Asegurarse de que el interruptor se encuentre en la posición OFF antes de conectar la herramienta a la fuente eléctrica y/o BATERÍA, alzarla o transportarla.**



*El transporte de herramientas eléctricas con el dedo en el interruptor o la activación de herramientas eléctricas con el interruptor en ON puede provocar accidentes.*

- d) **Retirar las herramientas de ajuste o la llave antes de conectar la herramienta eléctrica.** *Una herramienta o llave que se haya olvidado en partes giratorias del aparato puede producir lesiones.*
- e) **Evitar trabajar en una posición corporal inadecuada. Adoptar una posición segura y mantener en todo momento el equilibrio.** *Ello permite controlar mejor la herramienta eléctrica en situaciones inesperadas.*
- f) **Llevar ropa de trabajo adecuada. No llevar ropa holgada ni joyas durante el trabajo. Mantener el cabello, la ropa y los guantes alejados de las piezas en movimiento.** *La ropa holgada, las joyas o los cabellos largos pueden ser atrapados por las piezas en movimiento.*
- g) **Si el aparato permite instalar dispositivos de aspiración y recogida del polvo, es preciso asegurarse de que estén conectados y se empleen de forma correcta.** *La utilización de un aspirador de polvo puede reducir los peligros provocados por el mismo.*
- h) **A pesar de estar muy familiarizado con el uso de las herramientas, no confiarse en exceso ni ignorar las normas de seguridad de la herramienta.** *Un descuido puede conllevar una lesión grave en milésimas de segundo.*

#### 4. Empleo y tratamiento de la herramienta eléctrica

- a) **No sobrecargar el aparato. Usar la herramienta eléctrica específica para cada trabajo.** *Con la herramienta eléctrica adecuada se trabaja mejor y con más seguridad permaneciendo dentro de la potencia indicada.*
- b) **No usar ninguna herramienta eléctrica cuyo interruptor esté defectuoso.** *Una herramienta eléctrica que ya no pueda conectarse o desconectarse conlleva peligros y debe repararse.*
- c) **Desenchufar el cable de la toma de corriente y/o retirar la batería antes de ajustar el aparato, cambiar accesorios o abandonar el aparato.** *Esta medida de seguridad evita que la herramienta eléctrica arranque accidentalmente.*
- d) **Guardar las herramientas eléctricas que no se usen fuera del alcance de los niños.**

**No permitir el uso del aparato a personas que no estén familiarizadas con él o no hayan leído estas instrucciones.** *Las herramientas eléctricas son peligrosas si las usan personas sin experiencia.*

- e) **Cuidar la herramienta eléctrica de forma adecuada. Comprobar que las piezas móviles funcionen de forma correcta y no se bloqueen, controlar también si existen piezas rotas o están tan dañadas que ponen en peligro el funcionamiento de la herramienta eléctrica. Reparar las piezas dañadas antes de usar el aparato.** *Numerosos accidentes se deben a herramientas eléctricas mal cuidadas.*
- f) **Mantener limpias y afiladas las herramientas de corte.** *Las herramientas de corte bien cuidadas con cantos afilados se bloquean con menor frecuencia y pueden manejarse de forma más sencilla.*
- g) **Respetar estas instrucciones cuando se desee utilizar la herramienta eléctrica, los accesorios, piezas de recambio, etc. Para ello, tener en cuenta las condiciones de trabajo y la tarea a ejecutar.** *El uso de herramientas eléctricas para otros fines diferentes a los previstos puede originar situaciones peligrosas.*
- h) **Mantener asas y empuñaduras secas, limpias y libres de aceite y grasa.** *Las asas y empuñaduras resbaladizas impiden manejar con seguridad y controlar la herramienta en situaciones inesperadas.*

#### 5. Empleo y tratamiento de la herramienta eléctrica

- a) **Cargar la batería sólo en cargadores recomendados por el fabricante.** *Existe el peligro de incendio si se utiliza un cargador, indicado sólo para un tipo concreto de baterías, para otro tipo de baterías.*
- b) **Utilizar sólo las baterías indicadas para la herramienta eléctrica en cuestión.** *El uso de otras baterías puede provocar daños y conllevar peligro de incendio.*
- c) **Mantener cualquier batería que no se esté utilizando alejada de grapas, monedas, llaves, clavos, tornillos u otros objetos metálicos pequeños que podrían provocar un puenteo de los contactos.** *Un cortocircuito entre los contactos de la batería puede tener como consecuencia quemaduras o provocar fuego.*



- d) **Si se utiliza incorrectamente podría salir líquido de la batería. Evitar el contacto con el líquido. En caso de tocar accidentalmente el líquido, lavar la zona afectada con agua. Si el líquido penetra en los ojos, acudir a un médico. El líquido de la batería puede provocar irritaciones en la piel o quemaduras.**
- e) **No utilizar BATERÍAS ni herramientas que estén dañadas o modificadas. Las baterías dañadas o modificadas pueden manifestar comportamientos impredecibles que pueden dar lugar a incendio, EXPLOSIÓN o riesgo de lesión.**
- f) **No exponer una BATERÍA ni herramienta al fuego o a una temperatura excesiva. La exposición al fuego o a una temperatura superior a los 266°F (130°C) puede provocar una explosión.**
- g) **Seguir todas las instrucciones de carga y no cargar la BATERÍA ni herramienta fuera del margen de temperatura especificado en las instrucciones. Una carga inadecuada o a temperaturas fuera del margen especificado puede dañar la batería e incrementar el riesgo de incendio.**

## 6. Servicio

- a) **Sólo especialistas cualificados deben reparar la herramienta eléctrica, empleando para ello únicamente piezas de repuesto originales. Esta forma de proceder garantiza la seguridad de la herramienta eléctrica.**
- b) **No reparar nunca BATERÍAS dañadas. La reparación de las BATERÍAS dañadas solo la puede llevar a cabo el fabricante o un distribuidor autorizado.**

**Sujetar la herramienta eléctrica por las empuñaduras aisladas al realizar trabajos en los que la punta pueda tocar cables eléctricos ocultos.** Las puntas que entren en contacto con cables con corriente pueden hacer que las partes metálicas al descubierto de la herramienta eléctrica le provoquen una descarga eléctrica al usuario.

### Instrucciones de seguridad especiales

Con el fin de ofrecerle baterías con la máxima densidad de energía, larga duración y seguridad, prestamos el mayor cuidado en su montaje. Las celdas de la batería disponen de dispositivos de seguridad de varios niveles. En primer lugar se asigna el formato a cada celda y se registran sus características eléctricas. A continuación,

estos datos se utilizan para agrupar las celdas y crear la mejores baterías. **A pesar de todas las medidas de seguridad, siempre es necesario tener precaución al utilizar baterías. Para un funcionamiento seguro es obligatorio tener en cuenta los siguientes puntos.**

**¡El funcionamiento seguro sólo está garantizado si las celdas no están dañadas! Un manejo inadecuado puede dañar las celdas.**

**¡Atención!** Los análisis confirman que un uso y un cuidado inadecuados son la principal causa de los daños provocados por baterías de alta potencia.

### Advertencias sobre la batería

1. La batería del aparato no se suministra cargada. Antes de la primera puesta en marcha, es preciso recargarla por completo.
2. ¡Para que la batería trabaje de forma óptima evitar ciclos de descarga prolongados! Recargar la batería con frecuencia.
3. Guardar la batería en un lugar fresco, lo ideal son 59°F (15°C), y como mínimo cargada al 40%.
4. Las baterías de iones de litio están sujetas a un desgaste natural. ¡La batería debe ser sustituida como muy tarde cuando su rendimiento sea menor al 80% respecto a su estado cuando era nueva! Las celdas deterioradas de un conjunto de baterías envejecido no cumplen con los altos requisitos de rendimiento, representando un riesgo para la seguridad.
5. No tirar las baterías usadas al fuego. ¡Peligro de explosión!
6. No prender la batería ni exponerla al fuego.
7. **¡Evitar una descarga total de las baterías!** Este tipo de descarga daña las celdas de la batería. La causa más frecuente de la descarga total de la batería es el largo almacenamiento o la no utilización de baterías parcialmente descargadas. Terminar el trabajo en cuanto se aprecie que la potencia disminuye o se activa el sistema electrónico de protección. Almacenar la batería sólo tras haberla cargado completamente.
8. **¡Proteger las baterías y el aparato contra sobrecarga!** La sobrecarga conduce rápidamente a un sobrecalentamiento y daño de las celdas del interior de la carcasa de batería, sin que el sobrecalentamiento se perciba externamente.

9. **¡Evitar daños y golpes!** Sustituir inmediatamente las baterías que hayan caído desde una altura superior a un metro o que hayan sufrido golpes fuertes, incluso aunque la carcasa de la batería no parezca dañada. Las celdas que se encuentren en su interior podrían estar gravemente dañadas. Tener en cuenta también las indicaciones de eliminación.
10. En caso de sobrecarga y sobrecalentamiento, el circuito de protección integrado desconecta el aparato por motivos de seguridad. **¡Atención!** Dejar de pulsar el interruptor On/Off cuando el circuito de protección haya desconectado el aparato. Podría dañar la batería.
11. Utilizar exclusivamente baterías originales. El uso de otras baterías puede provocar daños, así como explosión y peligro de incendio.
12. **Proteger la batería de la humedad, la lluvia y la humedad ambiental elevada.** La humedad, la lluvia y la humedad ambiental elevada pueden provocar daños peligrosos en las celdas. No cargar ni trabajar nunca con baterías que hayan estado expuestas a la humedad, la lluvia o humedad ambiental elevada, ¡reemplazarlas de inmediato!
13. Si el aparato está dotado de una batería extraíble, por motivos de seguridad será preciso extraerla una vez finalizado el trabajo.

#### Advertencias sobre el cargador y el proceso de carga

1. Observar los datos indicados en la placa de identificación del cargador. Conectar el cargador sólo a la tensión nominal indicada en la placa de características.
2. Proteger el cargador y el cable de daños y cantos afilados. Los cables dañados deben ser cambiados exclusivamente por un electricista profesional.
3. Mantener el cargador, las baterías y el aparato fuera del alcance de niños.
4. No emplear cargadores dañados.
5. No emplear el cargador suministrado para cargar otros aparatos a batería.
6. La batería se calienta bajo condiciones extremas de aplicación. Dejar que la batería se enfríe hasta alcanzar la temperatura ambiental antes de empezar a cargar.
7. **¡No cargar demasiado las baterías!** Respetar los tiempos de carga máximos. Estos tiempos de carga se aplican únicamente a baterías descargadas. Si una batería cargada o parcialmente cargada se conecta varias veces al cargador se produce una sobrecarga y un daño de las celdas. No deje las baterías en el cargador por más de 48 horas.
8. **No utilizar ni cargar nunca baterías si se tiene la sospecha de que la última carga de la batería puede haberse realizado hace más de 12 meses.** Existe una alta probabilidad de que la batería ya esté gravemente dañada (descarga total).
9. Cargar la batería a una temperatura de menos de 50°F (10°C) provoca daños químicos en las celdas y puede conllevar peligro de incendio.
10. No utilizar baterías que se hayan calentado durante la carga, ya que sus celdas podrían dañarse peligrosamente.
11. Dejar de usar baterías que se hayan deformado o abombado durante la carga, o aquellas que presenten síntomas inusuales (desprendimiento de gases, zumbidos, chasquidos,...)
12. No descargar la batería por completo (nivel de descarga recomendado: máx. 80%). La descarga total provoca un envejecimiento prematuro de las celdas de la batería.
13. ¡No cargar nunca las baterías sin supervisión!

#### Protección contra influencias ambientales

1. Ponerse ropa de trabajo adecuada. Ponerse gafas de protección.
2. **Proteger el aparato y el cargador de la humedad y la lluvia.** Éstas podrían provocar daños peligrosos en las celdas.
3. No utilizar el aparato y el cargador cerca de vapores y líquidos inflamables.
4. Utilizar el cargador y el aparato a batería sólo si están secos y a una temperatura ambiente de 50°F-104°F (10-40 °C).
5. No guardar la batería en lugares que puedan alcanzar una temperatura superior a 104°F (40°C), especialmente no en un vehículo aparcado al sol.
6. **¡Proteger las baterías contra un sobrecalentamiento!** La sobrecarga, carga excesiva o la radiación solar conducen a un sobrecalentamiento y al daño de las celdas. No cargar ni trabajar en ningún caso con baterías que se hayan sobrecalentado. Sustituirlas inmediatamente.
7. **Almacenamiento de baterías, cargadores y del aparato.** Guardar siempre el cargador y el aparato en habitaciones secas con una temperatura ambiente de 50°F-104°F (10-40°C). Guardar la batería de iones de litio en un lugar fresco y seco a 50°F-68°F (10-20°C). ¡Proteger de la humedad ambiental y de la

- radiación solar! Guardar las baterías únicamente cuando estén cargadas (mín. al 40%).
8. Evitar que la batería de iones de litio se hielan. Deshacerse de las baterías que hayan estado guardadas a 32°F (0°C) durante más de 60 minutos.
  9. Llevar cuidado con la carga electrostática al manipular baterías: las descargas electrostáticas provocan daños en el sistema electrónico de protección y las celdas de la batería. ¡Evitar por ello la carga electrostática y no tocar nunca los polos de la batería!
5. No combine baterías alcalinas, estándar (de zinc-carbono) o recargables (de níquel-cadmio, de níquel-hidruro metálico o de iones de litio).
  6. No arroje las baterías al fuego. Pueden llegar a explotar.
  7. Las baterías deben ser recicladas o desechadas según los reglamentos locales y estatales.

**Para el envío o la eliminación de baterías o del aparato, estos deben embalarse por separado en bolsas de plástico para evitar cortocircuitos o incendios.**

### Precaución y eliminación de la batería

#### Eliminación

Si su artefacto necesita ser reemplazado luego de un uso prolongado, no lo arroje a la basura doméstica. Hágalo de una forma ecológica y segura.



Los desechos producidos por máquinas eléctricas no deben ser manipulados como basura doméstica común. Recíclelos donde hayan emplazamientos de reciclaje. Consulte con las autoridades o tienda

minorista de su localidad para obtener información sobre reciclaje.

Deshágase de su batería de acuerdo con los reglamentos federales, estatales y locales. Para encontrar lugares de reciclaje, comuníquese con un servicio de reciclaje en su localidad.

**⚠ ¡PRECAUCIÓN!** Incluso las baterías descargadas contienen algo de energía. Antes de deshacerse de éstas, use cinta aislante para cubrir los terminales y evitar que la batería haga cortocircuito, lo cual puede causar una explosión o incendio.

**⚠ ¡ADVERTENCIA!** Para reducir el riesgo de lesiones personales o explosión, nunca queme o incinere una batería incluso si está dañada, inservible o completamente descargada. Al ser quemada, los humos y materiales tóxicos son emitidos a la atmósfera circundante.

1. Las baterías varían de acuerdo al dispositivo. Consulte su manual para obtener la información específica.
2. Instale solo nuevas baterías del mismo tipo en su producto (donde corresponda).
3. No insertar las baterías con la polaridad correcta, tal como se indica en el compartimiento de la batería o en el manual, puede reducir el ciclo de vida útil de las baterías o causar fugas en las baterías.
4. No combine baterías nuevas con antiguas.

#### Instrucciones de seguridad para todas las aplicaciones

- a) **Utilizar esta herramienta eléctrica como lijadora y amoladora. Observar todas las advertencias de seguridad, instrucciones, representaciones y datos que se reciben con el aparato.** Si no se observan las siguientes instrucciones se corre el riesgo de sufrir una descarga eléctrica, lesiones graves o iniciar un incendio.
- b) **Esta herramienta eléctrica no está diseñada para lijar con papel abrasivo, para trabajos con cepillos de alambre ni para pulir.** La utilización de la herramienta para un trabajo para el que no está diseñada, podría suponer peligros y lesiones.
- c) **No utilizar accesorios que el fabricante no haya previsto ni recomendado especialmente para esta herramienta eléctrica.** Solo el hecho de poder fijar el accesorio a la herramienta eléctrica no garantiza que su uso sea seguro.
- d) **La velocidad admisible de la herramienta insertable debe ser al menos tan alta como el número de revoluciones máximo indicado en la misma.** Un accesorio que gira más rápidamente de lo permitido se puede romper y salir disparado.
- e) **El diámetro exterior y el espesor de la herramienta insertable deben cumplir las medidas de la herramienta eléctrica.** Las herramientas mal medidas no se pueden blindar ni controlar suficientemente.
- f) **Las herramientas insertables con adaptador de rosca deben adaptarse con exactitud a la rosca del husillo portamuera. En el caso de herramientas insertables que se montan mediante brida, el diámetro del agujero de la herramienta debe coincidir con el diámetro de alojamiento de la**

- brida.** Las herramientas insertables que no se puedan fijar bien a la herramienta eléctrica no giran de manera regular, vibran mucho y pueden provocar una pérdida del control.
- g) **No utilizar herramientas insertables dañadas. Antes de utilizar herramientas insertables comprobar que no estén astilladas ni presenten fisuras en el caso de las muelas de lijar, que no presenten fisuras ni desgaste en el caso de los discos abrasivos, y que no presenten alambres rotos o sueltos en el caso de los cepillos de alambres. Si se cae la herramienta insertable o la eléctrica comprobar que no se haya dañado o utilizar una herramienta insertable no dañada. Tras haber controlado e introducido la herramienta insertable, mantenerse alejado, al igual que las personas en las inmediaciones, fuera del alcance de la herramienta giratoria y dejar que el aparato marche a la velocidad máxima durante un minuto.** Normalmente las herramientas insertables dañadas se rompen durante ese tiempo de prueba.
- h) **Llevar equipamiento de protección personal. Dependiendo del uso que se le desee dar al aparato, llevar protección completa para la cara, para la vista o gafas de protección. Siempre que sea adecuado, llevar mascarilla de protección, protección para los oídos, guantes protectores o un delantal especial para proteger contra las pequeñas partículas de material.** Proteger los ojos contra los cuerpos extraños que puedan salir disparados en varias de las aplicaciones. La mascarilla de protección debe proteger contra el polvo que se pueda generar en algunas de las aplicaciones. La exposición prolongada a niveles elevados de ruido puede provocar pérdida auditiva.
- i) **Mantener a terceros a una distancia de seguridad con respecto a su área de trabajo. Toda persona que entre en el área de trabajo debe llevar un equipo de protección personal.** Se pueden proyectar trozos partidos de la pieza o de la herramienta y provocar lesiones incluso fuera de la zona de trabajo directa.
- j) **Sujetar el aparato sólo por la empuñadura aislada cuando se realicen trabajos en los que la herramienta insertable pueda topar con cables o con el propio cable del aparato.** El contacto con un cable de corriente puede electrificar las piezas metálicas del aparato y provocar una descarga eléctrica.
- k) **Mantener el cable de red alejado de las herramientas insertables en rotación.** Si se pierde el control del aparato se podría cortar o pillar el cable de red tirando de la mano o brazo hacia la herramienta en rotación.
- l) **No depositar nunca la herramienta eléctrica antes de que la herramienta insertable se haya parado completamente.** La herramienta giratoria podría entrar en contacto con la superficie de apoyo perdiéndose así el control sobre la herramienta eléctrica.
- m) **No permitir que la herramienta eléctrica esté en marcha mientras se transporta.** La herramienta giratoria podría entrar en contacto con la ropa y perforarle el cuerpo.
- n) **Limpiar regularmente las ranuras de ventilación de la herramienta eléctrica.** El ventilador del motor introduce polvo en la carcasa. Una gran acumulación de polvo metálico puede provocar peligros eléctricos.
- o) **No utilizar la herramienta eléctrica en las inmediaciones de materiales inflamables.** Las chispas podrían hacer arder dichos materiales.
- p) **No utilizar herramientas insertables que requieran refrigerante líquido.** El uso de agua o de otros refrigerantes líquidos podría provocar una descarga eléctrica.
- Otras instrucciones de seguridad para todas las aplicaciones**  
Como reacción repentina del enganche o bloqueo de la herramienta insertable giratoria (como p.ej: muela de lijar, disco abrasivo, cepillo de alambre) se produce un contragolpe. La herramienta giratoria se detendrá inmediatamente en caso de enganche o bloqueo. De este modo, una herramienta eléctrica sin control se acelera en sentido contrario al giro de la herramienta insertable en la posición de bloque.
- Cuando por ejemplo una muela de lijar se engancha o se bloquea en la pieza, el canto de la muela que entra en la pieza puede atascarse, provocando que la muela se rompa o que se produzca un contragolpe. La muela de lijar se mueve acercándose o alejándose del operario, dependiendo del sentido de giro de la muela en la posición de bloqueo. En este caso las muelas también pueden romperse.

Un contragolpe es la consecuencia de un uso indebido de la herramienta eléctrica. Se puede evitar siguiendo las medidas indicadas a continuación:

- a) **Sujetar bien la herramienta eléctrica y poner el cuerpo y los brazos en una posición en la que se puedan dominar las fuerzas de rebote. Siempre que haya una empuñadura adicional utilizarla para poder dominar al máximo las fuerzas de rebote o los momentos de retroceso durante la aceleración.** Si el operario toma las medidas de protección adecuadas podrá dominar las fuerzas de rebote y reacción.
- b) **No acercar las manos a las herramientas en rotación.** En caso de contragolpe la herramienta podría chocar contra la mano.
- c) **Evitar tener el cuerpo en la zona en la que la herramienta eléctrica se movería en caso de contragolpe.** El contragolpe hace que la herramienta se mueva en dirección contraria a la de la muela de lijar en el punto de bloqueo.
- d) **Trabajar con especial cuidado en la zona de esquinas, cantos afilados, etc. Evitar que las herramientas de trabajo choquen o bloqueen la pieza.** La herramienta insertable giratoria tiende a bloquearse en esquinas, cantos afilados o cuando rebota, de forma que se pierde el control o se produce un contragolpe.
- e) **No utilizar nunca platos ni hojas de sierra dentadas.** Este tipo de herramientas insertables provocan a menudo un contragolpe o la pérdida del control de la herramienta eléctrica.

#### Advertencias de seguridad especiales para lijar y tronzar con la muela

- a) **Utilizar exclusivamente el dispositivo de lijado homologado para la herramienta eléctrica, así como la cubierta de protección prevista para dicho dispositivo.** Los dispositivos de lijado que no hayan sido previstos para la herramienta eléctrica no se podrán proteger convenientemente por lo que no son seguros.
- b) **La cubierta de protección se debe poner bien en la herramienta eléctrica y ajustarse de tal forma que garantice la máxima seguridad, es decir, la parte más pequeña posible del dispositivo de lijado apunta al operario.** La cubierta de protección ha sido concebida para proteger al operario contra los fragmentos que puedan salir

proyectados, el contacto con el dispositivo de lijado y para evitar que las chispas puedan hacer arder la ropa.

- c) **Utilizar los dispositivos de lijado solo para el uso para el que se recomiendan. Por ejemplo: no lijar nunca con el lateral de una muela de tronzar.** Las muelas de tronzar han sido concebidas para desgastar el material con el canto de la muela. La aplicación de fuerza lateral sobre este dispositivo puede partirlo.
- d) **Utilizar siempre bridas de sujeción no dañadas, del tamaño y forma adecuados para la muela de lijar elegida.** Las bridas adecuadas sujetan la muela de lijar reduciendo así el peligro de que se rompa. Las bridas para las muelas de tronzar pueden diferir de las bridas para otras muelas de lijar.
- e) **No utilizar nunca muelas de lijar desgastadas de herramientas eléctricas más grandes.** Las muelas de lijar de las herramientas eléctricas más grandes no han sido concebidas para soportar la velocidad de las herramientas eléctricas más pequeñas y se pueden romper.
- f) **Las muelas de lijar acodadas se tienen que montar de forma que sus superficies abrasivas no sobresalgan del nivel del borde de la cubierta de protección.** Una muela de lijar mal montada que sobresalga del nivel de borde de la cubierta de protección, no se podrá blindar suficientemente.

#### Otras advertencias especiales de seguridad para tronzar con la muela

- a) **Evitar que la muela de tronzar se bloquee o que la presión de aplicación sea excesiva. No realizar cortes demasiado profundos.** Una sobrecarga de la muela de tronzar aumenta su sollicitación, así como la probabilidad de que se bloquee y, con ello, la posibilidad de que se produzca un contragolpe o se rompa el dispositivo de lijado.
- b) **Evitar la zona frente y detrás de la muela de tronzar.** Si se aleja de uno mismo la muela de tronzar en la pieza, en caso de un contragolpe la herramienta podría salir disparada hacia uno mismo con la muela en movimiento.
- c) **Si la muela de tronzar se bloquea o se interrumpe el trabajo, apagar el aparato, mantenerlo quieto y esperar hasta que la muela se pare. No intentar nunca sacar del corte la muela de tronzar cuando todavía esté en movimiento puesto que se**

- podría producir un contragolpe.** Determinar y subsanar la causa del bloqueo.
- d) **No volver a conectar la herramienta eléctrica mientras se siga encontrando en la pieza. Antes de continuar cuidadosamente con el corte, esperar a que la muela de tronzar alcance su máxima velocidad.** En caso contrario, la muela se podrían enganchar, salir disparada de la pieza o provocar un contragolpe.
- e) **Sujetar bien las placas o piezas grandes para reducir el riesgo de un contragolpe causado por una muela de tronzar bloqueada.** Las piezas grandes pueden doblarse a causa de su propio peso. La pieza debe apoyarse en los dos lados de la muela, tanto junto al corte como en el canto.
- f) **Tener especial cuidado con los “cortes” en paredes u otras áreas no visibles.** Al introducir la muela de tronzar se pueden cortar tuberías de gas o agua, cables eléctricos u otros objetos podrían provocar un contragolpe.
- Retirar el material de embalaje, así como los dispositivos de seguridad del embalaje y para el transporte (si existen).
  - Comprobar que el volumen de entrega esté completo.
  - Comprobar que el aparato y los accesorios no presenten daños ocasionados durante el transporte.
  - Si es posible, almacenar el embalaje hasta que transcurra el periodo de garantía.

**Peligro!**

**¡El aparato y el material de embalaje no son un juguete! ¡No permitir que los niños jueguen con bolsas de plástico, láminas y piezas pequeñas! ¡Riesgo de ingestión y asfixia!**

- Amoladora angular
- Empuñadura adicional
- Aprietatuercas de brida
- Dispositivo de seguridad cortar
- Manual de instrucción original con instrucción de seguridad

**GUARDE ESTAS INSTRUCCIONES****2. Descripción del aparato y volumen de entrega****2.1 Descripción del aparato**

1. Bloqueo del husillo
2. Interruptor ON/OFF
3. Empuñadura adicional
4. Dispositivo de seguridad
5. Llave de espigas
6. Brida de sujeción
7. Tuerca de la brida
8. Batería (no incluido en la entrega en 4431122)
9. Palanca de apriete
10. Indicador de capacidad de batería
11. Botón indicador de capacidad de la batería

**2.2 Volumen de entrega**

Sirviéndose de la descripción del volumen de entrega, comprobar que el artículo esté completo. Si faltase alguna pieza, dirigirse a nuestro Service Center o a la tienda especializada más cercana en un plazo máximo de 5 días laborales tras la compra del artículo presentando un recibo de compra válido.

- Abrir el embalaje y extraer cuidadosamente el aparato.

**Accesorios disponibles por separado**

18V 1.5Ah PXC batería Li-Ion  
 18V 2.0Ah PXC batería Li-Ion  
 18V 2.5Ah PXC batería Li-Ion  
 18V 3.0Ah PXC batería Li-Ion  
 18V 4.0Ah PXC batería Li-Ion  
 18V 3.0Ah PXC Plus batería Li-Ion  
 18V 4.0Ah PXC Plus batería Li-Ion  
 18V 5.2Ah PXC Plus batería Li-Ion  
 18V 4.0Ah/6.0Ah PXC Plus batería Li-Ion  
 18V 5.0Ah/8.0Ah PXC Plus batería Li-Ion  
 18V PXC cargador rápido de doble Puerto  
 18V PXC cargador rápido

Comuníquese con su distribuidor local para obtener modelos más específicos de baterías y cargadores disponibles en su área. Explorar las opciones de batería y cargador en [einhell.com](http://einhell.com)



### 3. Uso adecuado


La lijadora angular ha sido concebida para lijar metales y roca utilizando la muela de afilar correspondiente, así como los dispositivos de seguridad necesarios.

**Aviso!** La lijadora angular solo puede ser utilizada para tronzar metal y roca si el dispositivo de seguridad, disponible como accesorio, está montado.

Utilizar la máquina sólo en los casos que se indican explícitamente como de uso adecuado. Cualquier otro uso no será adecuado. En caso de uso inadecuado, el fabricante no se hace responsable de daños o lesiones de cualquier tipo; el responsable es el usuario u operario de la máquina.

Tener en consideración que nuestro aparato no está indicado para un uso comercial, industrial o en taller. No asumiremos ningún tipo de garantía cuando se utilice el aparato en zonas industriales, comerciales o talleres, así como actividades similares.

### 4. Características técnicas

Alimentación de tensión de motor: ..... 18 V   
 Velocidad nominal: ..... 8500 RPM (min<sup>-1</sup>)  
 ø máx. discos: ..... 4-1/2" (115 mm)  
 Muela de lijar: ..... 4-1/2" x 7/8" x 1/4"  
 ..... (115 x 22 x 6 mm)  
 Muela de tronzar: ..... 4-1/2" x 7/8" x 1/8"  
 ..... (115 x 22 x 3 mm)  
 Rosca del husillo de alojamiento: ..... 5/8"-11 UNC  
 Peso: ..... 4 lb (1.8 kg)

#### Usar protección para los oídos.

La exposición al ruido puede ser perjudicial para el oído.

#### ¡Reducir la emisión de ruido y las vibraciones al mínimo!

- Emplear sólo aparatos en perfecto estado.
- Realizar el mantenimiento del aparato y limpiarlo con regularidad.
- Adaptar el modo de trabajo al aparato.
- No sobrecargar el aparato.
- En caso necesario dejar que se compruebe el aparato.
- Apagar el aparato cuando no se esté utilizando.

### Cuidado!

#### Riesgos residuales

**Incluso si esta herramienta se utiliza adecuadamente, siempre existen riesgos residuales. En función de la estructura y del diseño de esta herramienta eléctrica pueden producirse los siguientes riesgos:**

1. Lesiones pulmonares en caso de que no se utilice una mascarilla de protección antipolvo.
2. Lesiones auditivas en caso de que no se utilice una protección para los oídos adecuada.
3. Daños a la salud derivados de las vibraciones de las manos y los brazos si el aparato se utiliza durante un largo periodo tiempo, no se sujeta del modo correcto o si no se realiza un mantenimiento adecuado.

#### Limitar el tiempo de trabajo.

Al hacerlo deben tenerse en cuenta todas las partes del ciclo de servicio (por ejemplo los tiempos en los que la herramienta eléctrica está desconectada y los tiempos en los que está conectada pero funciona sin carga).

### 5. Antes de la puesta en marcha

#### Aviso:

**Quitar siempre la batería antes de realizar ajustes en el aparato.**

#### 5.1 Montar la empuñadura adicional (fig. 2)

- No utilizar la amoladora angular sin la empuñadura adicional (3).
- La empuñadura adicional puede ser enroscada en las tres posiciones (A, B, C).

Lado del aparato	Indicado para
Izquierdo (pos. A / según se ilustra)	Diestros
Derecho (pos. B)	Zurdos
Arriba (pos. C)	Uso de muelas de tronzar

#### 5.2 Ajuste y cambio del dispositivo de seguridad (fig. 3)

#### Cambio:

- Quitar la tuerca de la brida (7) y la brida de sujeción (6) que se encuentra debajo.
- Abrir la palanca de apriete (9) en el dispositi-

- vo de seguridad (4).
  - Girar el dispositivo de seguridad (4) 180° hacia la derecha de manera que la protección mire hacia arriba.
  - Quitar el dispositivo de seguridad (4).
- El montaje se realiza siguiendo los mismos pasos pero en sentido contrario.

#### Ajuste:

- Ajustar el dispositivo de seguridad (4) para protegerse las manos de modo que el material de amolar sea alejado del cuerpo.
- La posición del dispositivo de seguridad (4) se puede adaptar a las condiciones de trabajo: aflojar la palanca de apriete (9), girar la cubierta (4) a la posición deseada.
- Prestar atención a que el dispositivo de seguridad (4) cubra correctamente la carcasa de rueda dentada.
- Volver a apretar la palanca de apriete (9).
- Asegurarse de que el dispositivo de seguridad (4) esté bien fijado.

**⚠ Asegurarse de que el dispositivo de seguridad esté bien sujeto.**

**⚠ No utilizar la amoladora angular sin el dispositivo de seguridad.**

### 5.3 FUNCIONAMIENTO DE PRUEBA DE LOS NUEVOS DISCOS DE LIJADO.

Ponga la lijadora en marcha al menos durante un minuto con el nuevo disco de lijado o de corte. Discos que se pongan a vibrar deberán ser sustituidos inmediatamente.

## 6. Manejo

### 6.1 Cómo cargar la batería de litio (no incluido en el volumen de entrega)

Las instrucciones correspondientes se encuentran en el manual de instrucciones original del cargador.

### 6.2 Interruptor (fig. 4)

La amoladora angular está equipada con un interruptor de seguridad para prevenir accidentes. Para encender el aparato, presionar el interruptor ON/OFF (2) hacia la derecha y a continuación deslizarlo hacia delante. Para desconectar la amoladora angular pulsar la parte posterior del interruptor ON/OFF (2). El interruptor ON/OFF (2) vuelve a su posición inicial.

**Esperar a que la máquina haya alcanzado su número de revoluciones máximo. Una vez alcanzado, puede llevar la amoladora angular hasta la pieza y trabajarla.**

### 6.3 Indicador de capacidad de batería (fig. 13/pos. 10)

Pulsar el interruptor para acceder al indicador de capacidad de la batería (11). El indicador de capacidad de batería (10) le indica el estado de carga de la batería sirviéndose de 3 LEDs.

#### Los 3 LED están iluminados:

La batería está completamente cargada.

#### 2 o 1 LED están iluminados

La batería dispone de suficiente carga residual.

#### 1 LED parpadea:

La batería está vacía, es preciso cargarla.

#### Si todos los LED parpadean:

La temperatura de la batería es demasiado baja. Quitar la batería del aparato y dejarla durante un día a temperatura ambiente. Si vuelve a aparecer el fallo, la batería se ha descargado completamente y está defectuosa. Quitar la batería del aparato. Está prohibido emplear o cargar una batería defectuosa.

### 6.4 Cambiar las muelas de lijar (fig. 5 / 6)

Para cambiar las muelas de lijar se necesita la llave de espigas suministrada (5). La llave de espigas (5) se guarda en la empuñadura adicional (3). Cuando sea necesario, sacar la llave de espigas (5) de la empuñadura adicional (3).

**Peligro!** Por motivos de seguridad, no utilizar la amoladora angular cuando la llave de espigas (5) esté introducida.

#### Aviso!

- Cambio simple del disco por el bloqueo del husillo
- A continuación presione el bloqueo del husillo para enclavar el disco.
- Abra la tuerca bridada con la llave de espigas frontales. (fig. 6)
- Cambie el disco de muela o de corte y apriete de nuevo la tuerca bridada con la llave.

**Advertencia! Presione únicamente el bloqueo del husillo si el motor y el husillo se hallan parados! ¡El bloqueo del husillo debe permanecer presionado durante el cambio del**



**disco!**

En caso de discos de lijado o de corte de hasta 1/8" (3 mm) es preciso desatornillar la tuerca bridada con el lado plano hacia el disco.

**6.5 Disposición de las bridas en el uso de discos de lijado o de corte (Fig. 7-10)**

- Disposición de las bridas si se emplea un disco de lijado acodado o recto (Fig. 8)
  - a) Brida de tensado (6)
  - b) Tuerca bridada (7)
- Disposición de las bridas si se emplea un disco de corte acodado (Fig. 9)
  - a) Brida de tensado (6)
  - b) Tuerca bridada (7)
- Disposición de las bridas si se emplea un disco de corte recto (Fig. 10)
  - a) Brida de tensado (6)
  - b) Tuerca bridada (7)

**6.6 MOTOR**

El motor deberá estar bien ventilado durante su funcionamiento, las ranuras de ventilación deberán mantenerse por tanto siempre limpias.

**6.7 DISCOS DE LIJADO**

- Los discos de lijado o de corte no deberán superar el diámetro previsto.
- Antes de usar los discos compruebe el número de revoluciones que se indica en ellos.
- La velocidad máxima de la muela de lijar o tronzar debe ser superior a la velocidad en vacío de la amoladora angular.
- Emplee siempre discos de lijado o de corte que hayan sido homologados para una velocidad máxima de 8.500 min<sup>-1</sup> y para una velocidad periférica de 52 m/seg.
- Si se utilizan muelas de tronzar diamantadas, tener en cuenta el sentido de giro. La flecha de sentido de giro que aparece en la muela de tronzar diamantada debe coincidir con la flecha del sentido de giro que aparece en el aparato.

Asegurarse de que el almacenamiento y transporte sean adecuados, especialmente en el caso del dispositivo de lijado. No someter nunca el dispositivo de lijado a golpes, choques o bordes afilados (p. ej. durante el transporte o almacenamiento en una caja de herramientas). De lo contrario se podría dañar el dispositivo de lijado (p. ej., agrietar), lo que supondría un peligro para el usuario.

**Aviso!****6.8 INSTRUCCIONES DE USO****6.8.1 Lijado grueso o de desbaste (fig. 11)**

**⚠ ¡Atención! Utilizar el dispositivo de seguridad para lijar (incluido en el volumen de entrega).**

Los mejores resultados en la lijadura de desbaste se obtienen manteniendo el disco a un ángulo de 30° a 40° respecto a la superficie de lijado y desplazando la lijadora con movimientos regulares sobre la pieza a trabajar.

**6.8.2 Corte (fig. 12)**

**⚠ ¡Atención! ¡Utilizar el dispositivo de seguridad para tronzar!** No incline la lijadora respecto al plano de corte. El disco deberá presentar un reborde de corte limpio.

Para cortar piedra dura se empleará preferentemente un disco de corte adiamantado.

**⚠ ¡No trabaje con materiales que contengan amianto**

**⚠ No use nunca discos de corte para desbastar.**

**Advertencia:**

Funciona preferiblemente con baterías P-X-C con una capacidad superior a 3,0 Ah.

**7. Mantenimiento y limpieza****Peligro!**

Desenchufar la batería antes de realizar trabajos de limpieza.

**7.1 Limpieza**

- Reducir al máximo posible la suciedad y el polvo en los dispositivos de seguridad, las rendijas de ventilación y la carcasa del motor. Frotar el aparato con un paño limpio o soplarlo con aire comprimido manteniendo la presión baja.
- Se recomienda limpiar el aparato tras cada uso.
- Limpiar el aparato con regularidad con un paño húmedo y un poco de jabón blando. No utilizar productos de limpieza o disolventes ya que se podrían deteriorar las piezas de plástico del aparato. Es preciso tener en cuenta que no entre agua en el interior del aparato.

Si entra agua en el aparato eléctrico existirá mayor riesgo de una descarga eléctrica.

### **7.2 Mantenimiento**

No hay que realizar el mantenimiento a más piezas en el interior del aparato.

## **8. Eliminación y reciclaje**

El aparato está protegido por un embalaje para evitar daños producidos por el transporte. Este embalaje es materia prima y, por eso, se puede volver a utilizar o llevar a un punto de reciclaje. El aparato y sus accesorios están compuestos de diversos materiales, como, p. ej., metal y plástico. Los aparatos defectuosos no deben tirarse a la basura doméstica. Para su eliminación adecuada, el aparato debe entregarse a una entidad recolectora prevista para ello. En caso de no conocer ninguna, será preciso informarse en el organismo responsable del municipio.

## **9. Almacenamiento**

Guardar el aparato y sus accesorios en un lugar oscuro, seco, protegido de las heladas e inaccesible para los niños. La temperatura de almacenamiento óptima se encuentra entre los 41°F y 86°F (5 y 30 °C). Guardar la herramienta eléctrica en su embalaje original.

Sólo está permitido copiar la documentación y documentos anexos del producto, o extractos de los mismos, con autorización expresa de Einhell Germany AG.

Nos reservamos el derecho a realizar modificaciones técnicas



A series of 20 horizontal lines for writing, starting from the line where the pencil is positioned and extending down the page.



A series of horizontal lines for writing, starting from the top right and extending down to the bottom of the page.



A series of horizontal lines for writing, starting from the second line of the ruled page and continuing down to the bottom of the page.



[www.Einhell.com](http://www.Einhell.com)

EH 04/2022 (01)