

Originalbetriebsanleitung
USB-Akku-Adapter

Original operating instructions
USB Battery Adapter

Instructions d'origine
Adaptateur USB sans fil

Istruzioni per l'uso originali
Adattatore USB per ricarica
batterie

Originale handleiding
USB-accu adapter

Manual de instrucciones original
Adaptador de batería USB

Manual de instruções original
Adaptador de acumulador USB

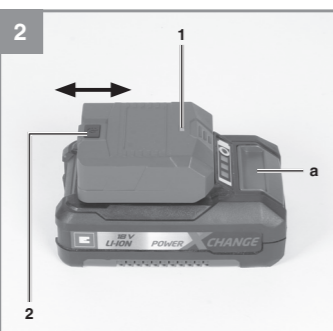
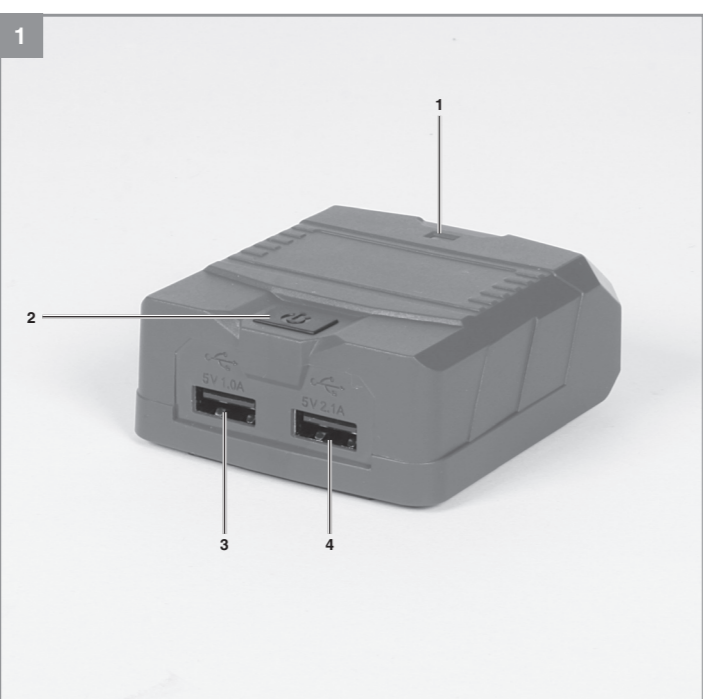
Πρωτότυπος Οδηγίες χρήσης
Αντάπτορας μπαταρίας με USB

Original-bruksanvisning
USB-batteriadapter



Art.-Nr.: 45.141.20

I.-Nr.: 21021



Dear Customer,
All of our products undergo strict quality checks to ensure that they reach you in perfect condition. In the unlikely event that your device develops a fault, please contact our service department at the address shown on this guarantee card. You can also contact us by telephone using the service number shown. Please note the following terms under which guarantee claims can be made:

- 1. These warranty terms regulate additional warranty promises, which the manufacturer mentioned below...
2. The warranty services cover only defects due to material or manufacturing faults on a product which you have bought from the manufacturer mentioned below...
3. The following are not covered by our guarantee: - Damage to the device caused by a failure to follow the assembly instructions...

Danger !
Lors de l'utilisation d'appareils, il faut respecter certaines mesures de sécurité afin d'éviter des blessures et dommages. Veuillez donc lire attentivement ce mode d'emploi...

Consignes de sécurité

1. Consignes de sécurité
2. Déclaration de l'appareil (figure 1)
3. Utilisation

Caractéristiques techniques

Table with technical specifications: Alimentation en tension, Tension de sortie, Courant de sortie, Courant de sortie port 2, Commande, Accessoires.

Nettoyage, maintenance

6.1 Nettoyage
6.2 Maintenance

Mise au rebut et recyclage
L'appareil se trouve dans un emballage permettant

Gerätebeschreibung (Bild 1)

- 1. Betriets-LED
2. Einschalter
3. Port 1
4. Port 2
3. Verwendung

Port / Ausgangsstrom

Table showing power output for Port 1 and Port 2 under various conditions.

Technische Daten

Table with technical data: Spannungversorgung, Ausgangsspannung, Ausgangsstrom Port 1, Ausgangsstrom Port 2.

Power-X-Change

- 1. Sicherheitshinweise
2. Bedienung
3. Achtung!

Um beste Ergebnisse zu erhalten, sollte der Akku voll aufgeladen sein.

Caractéristiques techniques

1. Consignes de sécurité
2. Déclaration de l'appareil (figure 1)
3. Utilisation

Caractéristiques techniques

Table with technical specifications: Alimentation en tension, Tension de sortie, Courant de sortie, Courant de sortie port 2, Commande.

Nettoyage, maintenance

6.1 Nettoyage
6.2 Maintenance

Mise au rebut et recyclage
L'appareil se trouve dans un emballage permettant

Reinigung, Wartung

- 6.1 Reinigung
6.2 Wartung

Entsorgung und Wiederverwertung

7. Entsorgung und Wiederverwertung
Das Gerät befindet sich in einer Verpackung um Transportschäden zu verhindern.

Safety regulations

1. Safety regulations
2. Read all safety regulations and instructions.
3. Power-X-Change

Reinigung, Wartung

- 6.1 Reinigung
6.2 Wartung

Entsorgung und Wiederverwertung

7. Entsorgung und Wiederverwertung
Das Gerät befindet sich in einer Verpackung um Transportschäden zu verhindern.

Safety regulations

1. Safety regulations
2. Read all safety regulations and instructions.
3. Power-X-Change

Cleaning

- 6.1 Cleaning
6.2 Maintenance

Disposal and recycling

7. Disposal and recycling
The equipment is supplied in packaging to prevent it from being damaged in transit.

Safety regulations

1. Safety regulations
2. Read all safety regulations and instructions.
3. Power-X-Change

