



User Manual

FERREX[®] **ELECTRIC GRASS TRIMMER** **F-ERT 450-1 UK**

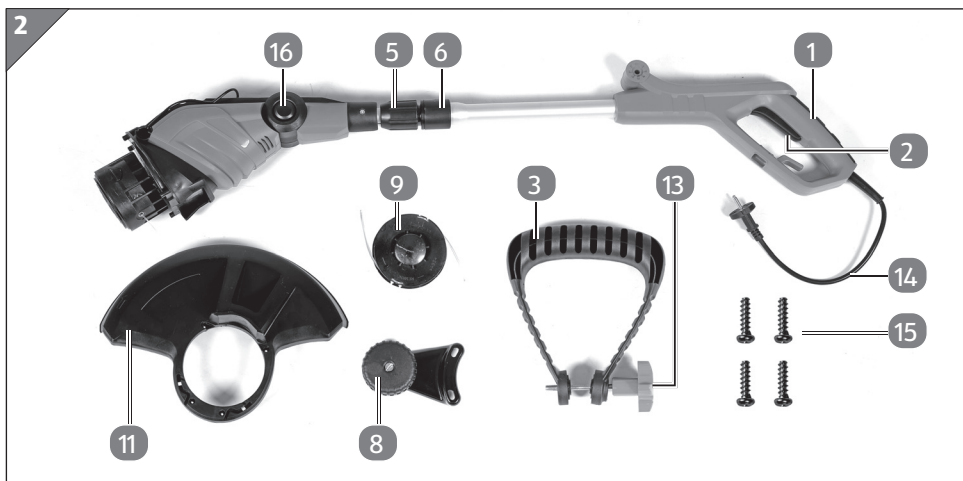


Original instructions

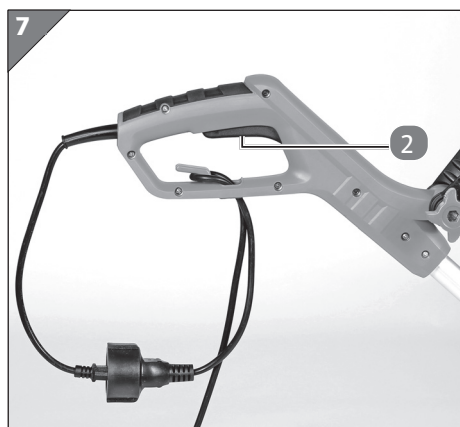
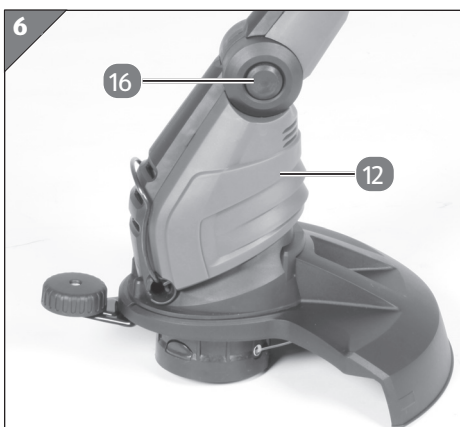
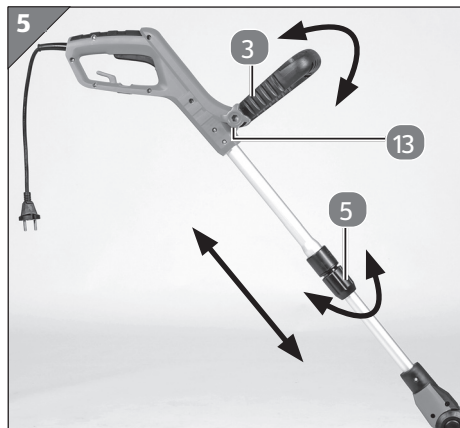
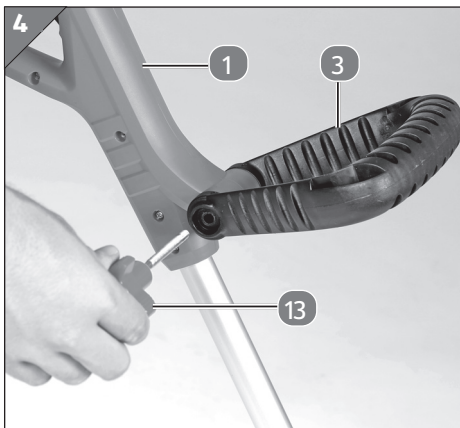
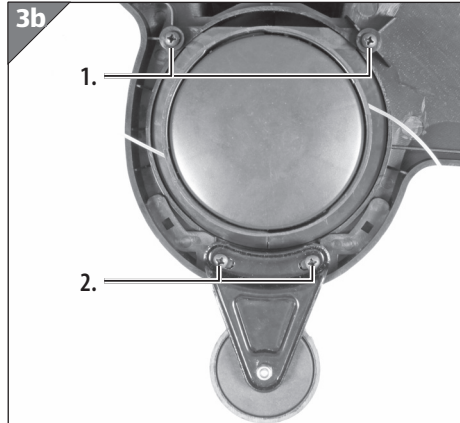
Contents

Package contents	3
General information	8
Reading and storing the user manual	8
Explanation of symbols	8
Safety	11
Intended use	11
Residual hazards.....	12
Safety information.....	13
Using for the first time	23
Checking the grass trimmer and items supplied	23
Before using for the first time	24
Operation	26
Cleaning and maintenance	29
Cleaning the grass trimmer	30
Replacing the line spool	30
Replacing the power cable	31
Transport	31
Storage	32
Spare parts and accessories	32
Technical data	33
Noise/vibration information	34
Disposal	36
Disposing of the packaging	36
Disposing of the grass trimmer	36
Troubleshooting guide	37
Declaration of conformity	38

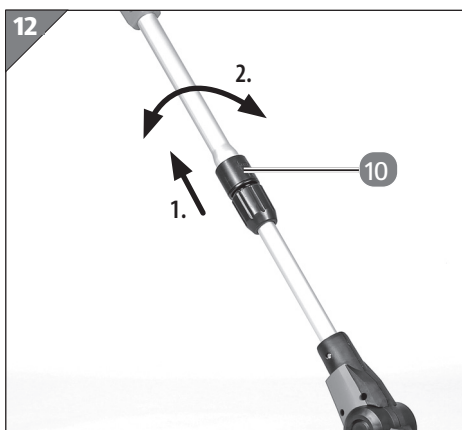
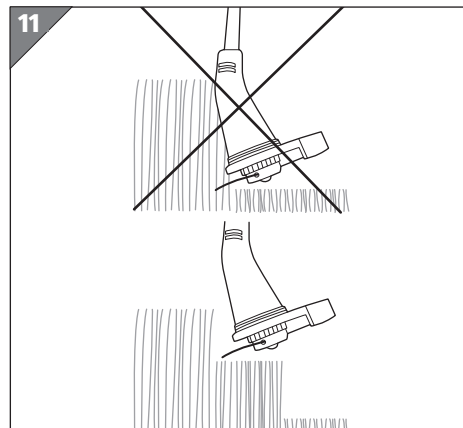
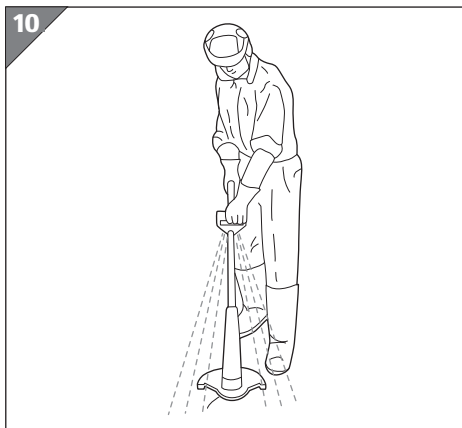
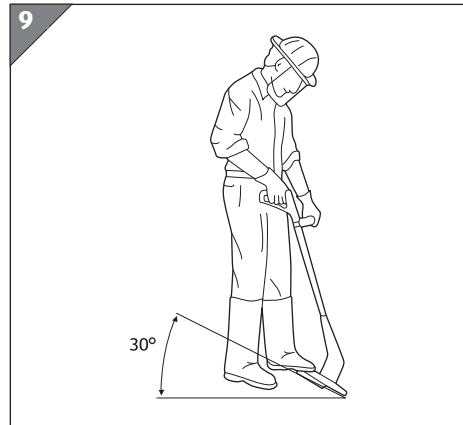
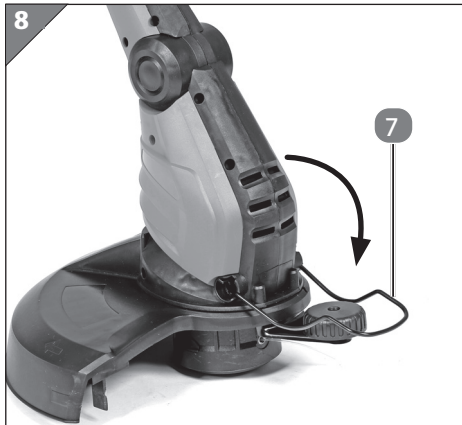
Package contents



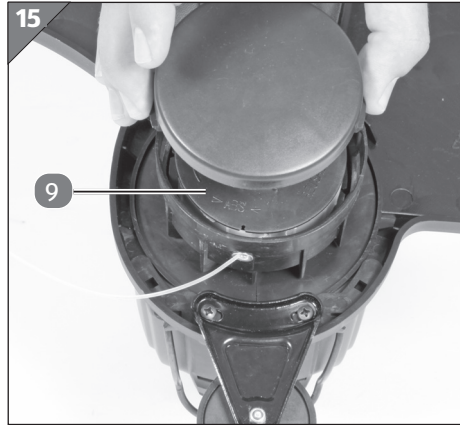
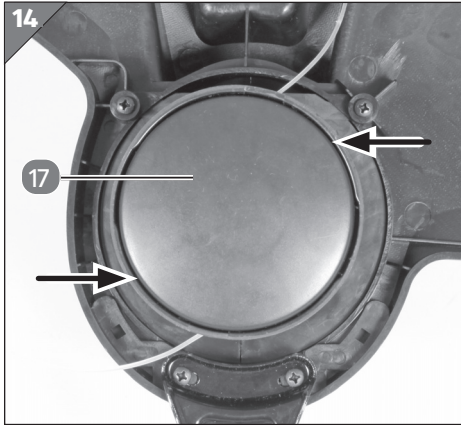
Package contents



4



Package contents



6

Components

- 1 Handle
- 2 On/Off switch
- 3 Additional handle
- 4 Long handle
- 5 Safety catch
- 6 Button (turning the handle)
- 7 Flower hoop guard
- 8 Edge guide
- 9 Line spool, 2x
- 10 Blade (shortening the line)
- 11 Safety cover
- 12 Motor housing
- 13 Tightening screw (additional handle)
- 14 Power cable
- 15 Screw, 4x
- 16 Button (setting the tilt angle)
- 17 Spool cover
- 18 Spool mount

General information

Reading and storing the user manual



These operating instructions belong to this electric grass trimmer (for easier understanding, the product will be referred to below only as “grass trimmer”). They contain information of importance for your safety, for the use of the product and for its care.

Read through the operating instructions carefully before you start using the grass trimmer. Take special care to observe the safety information and warnings. Failure to follow the information in these operating instructions could lead to serious injuries or to damage to the grass trimmer.

Observe all applicable local and national regulations relating to the use of this product. Keep these operating instructions in a safe place for later reference. If you give the grass trimmer to any other person to use, it is essential that you pass on these operating instructions as well.

Explanation of symbols

The following symbols and signal words are used in these operating instructions, on the grass trimmer or on the packaging.



WARNING!

This indicates a dangerous situation which, if not avoided, could result in death or serious injuries.

NOTICE!

Warns of possible damage to property.



This symbol draws attention to additional information about assembly or use.



Declaration of conformity (see the section “Declaration of conformity”): Products bearing this symbol comply with all applicable Community legislation of the European Economic Area.



Be sure to read the instructions before using for the first time.



Wear ear protection.



Wear safety goggles.



Do not expose to rain or wet conditions.

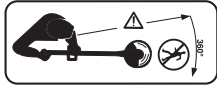


Always pull the power plug out of the power socket whenever there are problems and before you perform any maintenance or cleaning work.



Important!

General information



Keep a sufficient distance away from other persons, particularly children and pets Beware of catapulted objects.



Important! The grass trimmer continues to run briefly after it is switched off.



The grass trimmer complies with protection class II.



The guaranteed sound power level (L_{WA}) is 96 dB.

Safety

Intended use

This grass trimmer is designed solely for cutting lawns and small areas of grass. It is designed solely for private users in the hobby and DIY sector and not for commercial use in e.g. public facilities, parks and sports centers, along roadways, or in agriculture and forestry. This grass trimmer is not suitable for shredding organic waste for composting purposes.

Use the grass trimmer only in the way described in these operating instructions. All other uses are expressly prohibited and are considered to be cases of misuse.

The manufacturer or dealer accepts no liability for injuries, losses or damages which result from improper or incorrect use. Examples of improper or incorrect use include:

- use of the grass trimmer for purposes other than those for which it is intended;
- failure to observe the safety information, warnings, assembly instructions, operating instructions, maintenance instructions and cleaning instructions presented in this manual;
- failure to observe any accident prevention regulations, occupational health regulations or safety regulations which apply specifically and/or generally to the use of the grass trimmer;
- use of accessories and spare parts which are not intended for the grass trimmer;
- modifications to the grass trimmer;
- repairs to the grass trimmer carried out by someone other than the manufacturer or an expert;
- use of the grass trimmer in the commercial, crafts or industrial sector;

- operation or maintenance of the grass trimmer by persons who are not familiar with handling the grass trimmer and/or do not understand the related hazards.

Residual hazards

Even when the grass trimmer is used as intended, it is impossible to completely rule out non-obvious residual risks. The following hazards may arise in connection with the nature of the grass trimmer:

- Injury and damage to property caused by flying parts.
- Lung damage if no suitable protective dust mask is used.
- Damage to hearing if no suitable ear protection is used or if the grass trimmer is used over a longer period.
- Health damage caused by hand-arm vibrations if the grass trimmer is used over a longer period or is not properly guided and maintained.



WARNING!

This electric grass trimmer generates an electromagnetic field during operation. Under certain circumstances this field may actively or passively impede medical implants. To reduce the risk of serious or fatal injuries, we recommend persons with medical implants to consult their doctor and the manufacturer of the medical implant prior to using the grass trimmer!

Safety information



WARNING!

Read all the safety information and instructions. Failure to adhere to the safety information and instructions set out below may result in electric shock, fire and/or serious injury.



WARNING!

Hazards for children and persons with reduced physical, sensory or mental capacities (e.g. partly handicapped persons, elderly persons with limited physical and mental capacities) or those lacking experience and knowledge (e.g. older children).

- Keep children away from the grass trimmer and the extension cable.
- Do not leave the grass trimmer unattended while it is in use.
- Do not allow children to play with the plastic packaging. Children could become caught up in it and suffocate.

IMPORTANT

READ CAREFULLY BEFORE USE

KEEP FOR LATER REFERENCE

- a) Protect electrical parts from moisture. To avoid an electric shock, never immerse them in water or other liquids during cleaning or operation. Never hold the grass trimmer under flowing water.
- b) Switch off the grass trimmer, separate it from the power supply by pulling out its power plug from the power supply socket, and allow the grass trimmer to cool down before you carry out any assembly, conversion or maintenance work on the grass trimmer and before you transport it or put it into storage.
- c) Switch off the grass trimmer and separate it from the power supply before you replace any accessories or carry out any cleaning work, and whenever the grass trimmer is not being used.

- d) If the power cable for this grass trimmer becomes damaged, it must be replaced by a special power cable which is available from the manufacturer or its customer service center.

Instruction requirements

- a) Read the operating instructions carefully. Familiarize yourself with the operator controls and proper use of the grass trimmer.
- b) Never allow persons who are not familiar with these operating instructions and never allow children to use this grass trimmer. The age of the user may be restricted by locally applicable regulations.
- c) Always keep in mind that the user of the grass trimmer is personally responsible for accidents or hazards involving other persons or their property.

Preparations

- a) Before use, you must check the extension cable for signs of damage or wear. If the cable becomes damaged during operation, it must be disconnected immediately from the power supply. **DO NOT TOUCH THE CABLE BEFORE IT IS DISCONNECTED FROM THE POWER SUPPLY.** Do not use the grass trimmer if the power cable is damaged or worn.
- b) Before use, you must examine the grass trimmer visually for damaged, missing or wrongly fitted safety devices or covers.
- c) Never use the grass trimmer when there are people – particularly children – or pets nearby.
- d) Carefully check the ground on which the grass trimmer will be used and remove all objects that could be caught up and catapulted into the surroundings by the grass trimmer.
- e) Before you switch on the grass trimmer, always check that all of its screws, nuts, bolts and other fasteners are secure.

Operation

- a) Keep the extension cable away from the cutting unit.
- b) Eye protection and sturdy shoes must be worn throughout the time spent using the grass trimmer.
- c) Avoid using the grass trimmer in bad weather conditions, particularly when there is a risk of lightning.
- d) Use the grass trimmer only in broad daylight or in well-lit conditions.
- e) Always maintain good footing and a stable posture, especially on inclines.
- f) Walk, don't run.
- g) Do not touch any moving, hazardous parts before the grass trimmer has been disconnected from the power supply and the moving parts have stopped moving.
- h) Never use the grass trimmer with a damaged cover or safety device or when a cover or safety device is missing.
- i) Switch on the motor only when there are no hands or feet within range of the cutting unit.
- j) Always make sure that the air vents are kept free of foreign bodies.
- k) Beware of injuries to feet and hands caused by the cutting unit.
- l) Keep the extension cable away from moving, hazardous parts in order to prevent damage to the extension cable.
- m) Use the grass trimmer only in the recommended position and only on a firm and level surface.
- n) Do not operate the grass trimmer on paved or gravel surfaces where material could be catapulted into the surroundings and cause injuries.

- o) Always disconnect the grass trimmer from the power supply (i.e. pull the power plug out of the power socket, take out the blocking device or the removable battery):
 - 1) each time the grass trimmer is left unattended;
 - 2) before you clear a blockage;
 - 3) before you inspect, clean or work on the grass trimmer;
 - 4) after the grass trimmer strikes a foreign body;
 - 5) whenever the grass trimmer begins to make unusual vibrations.

Maintenance and storage

- a) Disconnect the grass trimmer from the power supply (i.e. pull the power plug out of the power socket, take out the blocking device or the removable battery) before you carry out any maintenance or cleaning work on it.
- b) Use only spare parts and accessories which are recommended by the manufacturer.
- c) The grass trimmer must be inspected and serviced regularly. Have the grass trimmer repaired only in an authorized workshop.
- d) When the grass trimmer is not being used it must be kept out of children's reach.

Recommendation

The grass trimmer should be supplied with a trip current of no more than 30 mA via a residual current protective device (RCD).

Extension cable

- a) Use only extension cables that are not damaged. Do not use the grass trimmer if the cables are damaged or worn.
- b) The extension cable is not allowed to exceed 50 meters or the power output of the electric motor will drop. The extension cable must have a cross-section of 3×1.5 mm.
- c) Longer extension cables require larger conductor cross-sections.

- d) The insulation of grass trimmer extension cables is frequently damaged. The reasons for this include: cutting of the cable, crushing of the cable by doors and windows, cracking of the insulation due to aging, kinking due to incorrect fastening or laying of the power cable.
- e) As a minimum requirement the extension cables must be 3-core H05RN-F cables. The type designation must be printed on the extension cable. Buy only extension cables that are marked with a type designation!
- f) The plugs and connectors on extension cables must be made of rubber and they must be splashproof.
- g) Extension cables must be regularly checked for damage.
- h) Make sure that the cables are disconnected before checking them.
- i) Completely unwind the extension cable.
- j) Also check the extension cable entry points on plugs and connectors for kinks.

Emergencies

Read the complete operating manual in order to familiarize yourself with how to use the grass trimmer. Note the safety information and observe it exactly. This will help you to prevent risks and hazards.

- **Always be attentive when using the grass trimmer so that you notice hazards early on and can react to them.** Timely intervention can prevent serious injuries and material damage.
- **If problems occur, switch off the grass trimmer and separate it from the power supply.** If necessary, have the grass trimmer repaired by a qualified expert before you use it again.

Supplementary safety information



WARNING!

Risk of electric shock!

A faulty electrical installation or too high a mains voltage could cause an electric shock.

- Acquaint yourself with the controls and how to use the grass trimmer properly.
- Never use the grass trimmer while it is raining or in damp or wet surroundings.
- Protect the grass trimmer against moisture and rain.
- Position the extension cable so that it does not become a tripping hazard.
- Do not kink the power cable or the extension cable and do not pull them over sharp edges.
- Before you connect the grass trimmer to the power supply make sure that the supply voltage at the power socket complies with the specifications on the rating plate.
- Connect the grass trimmer only to an easily accessible power socket so that you can disconnect the grass trimmer quickly from the power supply in the event of a fault.
- Do not use the grass trimmer if it has visible signs of damage or if the power cable or the power plug or the extension cable is defective.
- The area to be cut must be kept clear of cables and hard objects.
- Do not open the housing but arrange for experts to carry out any repairs. In this case contact a service center. No liability and warranty claims will be accepted if you carry out the repairs yourself, if the connection is incorrect or if the grass trimmer is wrongly operated.

- Do not operate the grass trimmer with an external timer or with a separate telecontrol system.
- Do not immerse the grass trimmer, the extension cable, the power cable or the power plug in water or other liquids.
- Never grip the power plug with damp hands.
- Never pull the power plug out of the power socket by pulling on the extension cable – always grip the power plug.
- Never use the power cable or the extension cable as a carry-handle.
- Keep the grass trimmer, the power plug, the power cable and the extension cable away from naked flames and hot surfaces.
- Never reach for the grass trimmer if it falls into water. In such a case pull the power plug out of the power socket immediately.
- Make sure that children do not insert any objects into the grass trimmer.
- Always switch off the grass trimmer and pull the power plug out of the power socket when you are not using the grass trimmer, when you are cleaning the grass trimmer or when a fault occurs.
- The grass trimmer is allowed to be used only with a trip current of no more than 30 mA via a residual current protective device (RCD).
- Use an extension cable of type H05RN-F according to DIN 57282/ VDE 0282. The plug connections of the extension cable must have earthing contacts and the coupling must be splashproof. The extension cable is not allowed to be longer than 50 m. The extension cable must have a cross-section of 3×1.5 mm.



WARNING!

Risk of injury!

Incorrect use of the grass trimmer can result in injuries.

- Before you switch on the grass trimmer, make sure that there are not stones or other hard objects touching the cutting unit.
- Switch on the grass trimmer only when you are holding it perpendicular to the ground and in the correct working position. Hold it away from your body.
- Do not switch on the grass trimmer when it is turned around and not in its working position.
- Do not use the grass trimmer near people – particularly not near children – or pets. Maintain a minimum distance of 5 m.
- Do not cut hard objects. The edge of the safety guard is designed to keep the grass trimmer away from walls, hard surfaces and fragile objects.
- Never use the grass trimmer without the safety guard. The warranty will be rendered null and void if you use the grass trimmer without the safety guard.
- Keep your hands and feet away from the cutting unit when you switch on the motor.
- Never stop the cutting unit with your hands. Wait for it to stop by itself.
- Do not use any metal cutting elements in place of the nylon line (cutting unit).
- Cut only grass that is growing on the ground. Do not cut grass that is growing on walls, stones or similar.
- Always wear sturdy shoes, long trousers, work gloves, goggles and a helmet when you use the grass trimmer.
- Hold the grass trimmer firmly but not in a cramped manner by the handles provided.

- Make sure you have secure footing and a straight posture. Be careful when walking backwards.
- If the grass trimmer vibrates with unusual intensity, switch it off immediately and pull out the power plug. Check all parts to make sure that they are intact and secure. If the grass trimmer is damaged, do not use it anymore and have it repaired by qualified experts.
- Switch off the grass trimmer whenever you interrupt your work in order to move to a new work area or cross over gravel paths or roads. The cutting unit will continue to run for a few seconds. Always wait for the cutting tool to come to a stop before you transport the grass trimmer.

NOTICE!**Risk of damage!**

Incorrect handling of the grass trimmer could cause material damage. The operator or user is responsible for accidents involving other persons and/or their property.

- Inspect the grass trimmer visually each time before it is used. Do not use the grass trimmer if any safety devices are damaged or if the line spool has not been inserted and fastened correctly.
- Before you begin your work, examine the material you want to cut. Remove any foreign bodies. Continue to watch out for foreign bodies while you are working. If any foreign bodies get inside the grass trimmer nevertheless while cutting, turn off the grass trimmer and remove the items in question.
- Keep the air vents clean.
- Use only original replacement parts.

Explanation of the warning sign (Fig. 17)

- 1: Warning!
- 2: Wear eye protection!
- 3: Wear ear protection!
- 4: Protect from the damp!
- 5: Pull out the power plug!
- 6: Read the operating instructions!
- 7: Keep other persons away!
- 8: The grass trimmer will continue to run!
- 9: Safety class II

Using for the first time

Checking the grass trimmer and items supplied

NOTICE!

Risk of damage!

If you open the packaging without care using a sharp knife or other pointed objects, this could quickly cause damage to the grass trimmer.

- Open the packaging and take out the equipment with care.
- Remove the packaging material and any packaging and/or transportation braces (if present).
- Check to see if all the items are supplied.
- Inspect the equipment and accessories for transport damage.
- If possible, keep the packaging until the end of the guarantee period.
- Check that the equipment after unpacking to ensure that it is complete and check it for damage which may have occurred in transit – to prevent hazards. If you have any doubts, do not use it but contact our customer service instead. You will find the service address in our warranty terms on the warranty card.



WARNING!

Risk of injury!

The equipment and packaging material are not toys. Do not let children play with plastic bags, plastic sheets and small parts. There is a risk of choking and suffocating!

Before using for the first time

Assembling the grass trimmer (Fig. 3a and 3b)

- Fit the safety guard on the motor head (see **Fig. 3a**).
- Then fasten the safety guard with 2 screws (**1.**).
- Finally, secure the edge guide with the last two screws (**2.**) (see **Fig. 3b**).

Fitting the additional handle (Fig. 4)

- Fit the additional handle **3** on the holder on the handle **1**. This must result in the teeth of the holder and the teeth of the additional handle engaging in each other.
- Fasten the additional handle with the help of the tightening screw **13**.

Adjusting the height of the long handle (Fig. 5)

If necessary, adjust the height of the long handle to obtain an optimum working position.

- Place the grass trimmer on the ground so that it stands solidly.
- Undo the safety catch **5**.
- Pull the long handle to the required height.
- Re-tighten the safety catch.

Adjusting the additional handle (Fig. 5)

If necessary, adjust the additional handle **3** of the grass trimmer to obtain an optimum working position. Always make sure that the teeth of the additional handle engage with the teeth of the holder and that the additional handle is securely seated.

- Place the grass trimmer on the ground.
- Undo the tightening screw **13** of the additional handle.
- Set the required position.
- Re-tighten the tightening screw.

Adjusting the tilt angle (Fig. 6)



WARNING!

Risk of injury!

If the tilt angle of the motor housing is wrongly set, you could injure yourself or the grass trimmer could become damaged.

- Use the grass trimmer only when the motor housing and the button are latched in one of the four positions for the tilt angle and when the motor housing is securely seated.
- Do not use the grass trimmer if the motor housing is in a position that does not correspond to the setting positions.

You can set the tilt angle to four different positions (Fig. 6/ 16):

- Press the button on the side of the motor housing 12 and keep it pressed.
- Set the required tilt angle.
- Let go of the button so that the motor housing engages in the required position.
- Turn the motor housing a little further in order to check whether the button latches in the position.



WARNING!

Risk of injury!

Start up the equipment only when fully assembled. Inspect the power cable for signs of damage each time before starting up. The equipment is allowed to be used only when the power cable is in flawless condition.

Operation



WARNING!

Risk of injury!

Improper handling of the grass trimmer could result in injuries.

- Check the grass trimmer for damage before you use it.
- Never use the grass trimmer if the safety guard is damaged or missing.
- The cutting unit will continue to run for a few seconds after the grass trimmer is switched off. Wait for the cutting unit to come to a complete stop before you transport the grass trimmer, before you carry out any maintenance on the grass trimmer and before you place the grass trimmer in storage.

NOTICE!

Risk of damage!

Improper handling of the grass trimmer could result in damage.

- Use the edge guide and the guard hood to prevent unnecessary wear on the line.
- Do not cut wet grass.
- Keep the grass trimmer away from hard objects. Avoid cutting hard objects in order to prevent unnecessary wear on the line.

NOTICE!**Risk of damage!**

The electric grass trimmer is designed to cut only grass.

The electric grass trimmer has a fully automatic line extension system.

If the line of the electric grass trimmer is reduced through operation, it will be extended automatically to the maximum cutting width.

This will ensure that you can always work with the optimum cutting width.

NOTICE!

If the line is too long when you use the equipment for the first time, the surplus end of it will be shortened by the blade on the guard hood.

To obtain maximum performance from your grass trimmer, please follow these instructions:

- Do not use the grass trimmer if the safety guard is damaged or missing.
- Do not cut any grass when it is wet. The best results are achieved on dry grass.
- Connect the power cable to the extension cable and fasten this to the cable strain-relief clamp (**Fig. 7**).
- To switch on your grass trimmer, press the On/Off switch (**Fig. 7/ 2**).
- To switch off your grass trimmer, let go of the On/Off switch again (**Fig. 7/ 2**).
- Do not allow the grass trimmer near the grass until the switch is pressed, i.e. not until the grass trimmer is in operation.

- To cut properly, swing the grass trimmer sideways while moving forwards. Keep the grass trimmer inclined at an angle of approx. 30° while you do so (see **Fig. 9 and Fig. 10**).
- If the grass is long, it must be cut shorter in stages, starting from the tip (see **Fig. 11**).
- Swing down the flower hoop guard (**Fig. 8/ 7**) in order to keep flowers and shrubs outside the cutting range (see **Fig. 1 and Fig. 8**). You can also use the guard hood and the edge guide for the same purpose.
- To avoid unnecessary wear on the line, keep the grass trimmer away from hard objects.

Using the grass trimmer as an edge trimmer (Fig. 12 and Fig. 13)

To cut the edges of lawns and flower beds, the grass trimmer can be converted as follows:

- Switch off the power supply to the electric grass trimmer.
- Pull the sleeve (**Fig. 12/ 10**) to the rear.
- Hold the sleeve in the rear position and rotate the top handle through 180° (**Fig. 12**) until it latches in place.
- This converts the electric grass trimmer into an edge trimmer for cutting the lawn with vertical cuts (**Fig. 13**).

After use

1. Let go of the On/Off switch (**2**) in order to switch off the grass trimmer.
2. Disconnect the grass trimmer from the power supply and remove the extension cable.
3. Wait for the cutting unit to come to a complete stop and give the grass trimmer time to cool down completely.
4. Carefully remove grass and any foreign bodies from the cutting unit and the grass trimmer.

5. Clean the grass trimmer as described in the section “Cleaning and maintenance”.
6. Check the grass trimmer for wear and damage.

Cleaning and maintenance



Risk of injury!

Accidental starting of the grass trimmer can result in serious injuries by the cutting unit.

- Pull out the power plug before doing any cleaning and maintenance work.
- Make sure that the grass trimmer has been switched off and that the cutting unit is no longer running.



Risk of injury!

The grass trimmer is equipped with a blade for cutting the nylon line. Incorrect handling can result in serious injuries.

- Wear suitable protective gloves when you clean the grass trimmer or carry out maintenance on it.
- Never replace non-metallic cutting tools with metallic cutting tools.

NOTICE!

Risk of damage!

Incorrect cleaning can result in damage.

- Do not use any of the following items: aggressive cleaning products; brushes with metal or nylon bristles; sharp or metallic cleaning implements such as knives, hard spatulas or similar. These items could damage the surfaces.

- Keep the grass trimmer, the safety devices and the motor housing free of dust and dirt.
- Clean the grass trimmer ideally each time after you have used it.
- Make sure that no water gets into the motor housing.

Cleaning the grass trimmer

1. Make sure that the grass trimmer has been switched off and disconnected from the power supply.
2. Clean the grass trimmer with compressed air at a low level of pressure.
3. If necessary, use a brush to remove stubborn deposits from the guard hood **11** .
4. Clean the motor housing **12** of the grass trimmer with a damp cloth and some soft soap.
5. Use a clean cloth to rub the grass trimmer dry.

Replacing the line spool



Make sure that you pull out the power plug before replacing the line spool!

- Press the marked areas on the side of the spool cover (**Fig. 14/ 17**) and remove the cover (**Fig. 14 and Fig. 15**).
- Remove the empty line spool **9** .
- Thread the ends of the line from the new line spool through the eyelets in the spool mount (**Fig. 16/ 18**).
- Fit the spool cover and spool back into the spool mount.
- When you start the grass trimmer again the line will be cut to the perfect length automatically.

**WARNING!**

Bits of the nylon line could result in injury when catapulted out!

Replacing the power cable

**WARNING!**

Risk of electric shock!

If the power cable is damaged or not fitted properly, there will be a risk of an electric shock.

- If the power cable of this grass trimmer becomes damaged, it must be replaced by the manufacturer, by one of its customer service centers or by a similarly trained person in order to prevent hazards.

If you find any damage, you must arrange for it to be rectified by a service center in order to prevent hazards.

Transport

- Hold the grass trimmer with one hand on the handle **1** and the other hand on the additional handle **3**. Do not carry the grass trimmer by its motor housing **12**.
- Secure the grass trimmer against slipping if you transport it in a vehicle.
- As far as possible, use the original packaging when transporting the grass trimmer.

Storage

NOTICE!

- Clean the grass trimmer as described in the section “Cleaning the grass trimmer”.
- Store the grass trimmer in a dry, dark, frost-free place that is inaccessible to children.
- The optimum storage temperature is 5–30 °C.
- Keep the grass trimmer in its original packaging.

Spare parts and accessories

You can order suitable spare parts and accessories for your grass trimmer via the Internet at: www.Einhell-Service.com.

You will find the latest prices and information there. Please provide the following information when ordering spare parts:

- Type: F-ERT 450-1 UK
- Einhell article number: 34.021.29
- ID No.: 21010
- Spare part no. of the required spare part

Technical data

Model: F-ERT 450-1 UK
Mains voltage: 230V ~ 50 Hz
Cutting circle: Ø 30 cm
Speed n_0 : 8,800 min⁻¹
Cutting line Ø: 1.3 mm
Weight: 3.0 kg
Article number: 91672

Noise/vibration information



Health hazard!

Working without ear protection or protective clothing may be harmful to your health.

- Wear ear protection and suitable protective clothing when using the grass trimmer.

Grass trimmer

Noise

Sound pressure level L_{PA} at the operator's ear	82 dB(A)
Uncertainty K_{PA}	3 dB(A)
Measured sound power level L_{WA}	92.99 dB(A)
Uncertainty K_{WA}	0.32 dB(A)

Vibration

Handle a_h	3.0 m/s ²
Additional handle a_h	5.1 m/s ²
Uncertainty K	1.5 m/s ²

Lawn edge trimmer

Noise

Sound pressure level L_{PA} at the operator's ear	84 dB(A)
Uncertainty K_{PA}	3 dB(A)
Measured sound power level L_{WA}	94.49 dB(A)
Uncertainty K_{WA}	1.31 dB(A)

Vibration

Handle a_h	3.5 m/s ²
Additional handle a_h	4.6 m/s ²
Uncertainty K	1.5 m/s ²

The sound pressure and vibration values were determined in accordance with Annex CC of EN 50636-2-91:2014. Measured and guaranteed sound power level determined in accordance with 2000/14/EC, extended by 2005/88/EC.

Subject to technical changes.

Information about sounds and vibrations

The values stated above are noise emission values and are therefore not necessarily reliable workplace values. From the interrelationship between emission and immission levels it cannot be reliably concluded whether additional precautions are needed or not. Factors with a potential influence on the immission level at the specific workplace include the specifications of the work area and surrounding area, the duration of exposure, other sources of noise, etc. You should also take account of possible deviations in national regulations with respect to permissible workplace values. However, the information referred to above does enable the user to make a better assessment of the dangers and risks involved.

Disposal

Disposing of the packaging



Separate the packaging materials by type before disposing of them. Dispose of cardboard in your waste paper container and take plastic film or sheets to your recycling center.

Disposing of the grass trimmer

Waste equipment may not be disposed of with normal household refuse!

This symbol draws attention to the fact that under the Directive on Waste Electrical and Electronic Equipment (2012/19/EU) and national laws this product is not allowed to be disposed of with normal household refuse.



Old electrical or electronic appliances should not be disposed of in the household waste!

Should the product no longer be capable of being used at some point in time, **dispose of it in accordance with the regulations in force in your city or county.** This ensures that old appliances are recycled in a professional manner and also rules out negative consequences for the environment. For this reason, electrical equipment is marked with the symbol shown here. You can obtain information about collection points from your local authority, waste management service or an authorised agency for the disposal of waste electrical and electronic equipment.



The reprinting or reproduction by any other means, in whole or in part, of documentation and papers accompanying the products is strictly subject to the express consent of Einhell Germany AG.

Subject to technical changes

Troubleshooting guide

Problem	Possible cause	Solution
The grass trimmer does not run.	The extension cable is damaged. The power cable is not connected. The On/Off switch has not been pressed. The cutting unit is blocked by grass or foreign bodies.	Replace the extension cable. Connect the power cable to an extension cable. Press the On/Off switch. Remove the grass and foreign bodies. First make sure that the grass trimmer has been disconnected from the power supply.

Declaration of conformity

Einhell Germany AG - Wiesenweg 22 - D-94405 Landau/Isar		EU
<p>D erklärt folgende Konformität gemäß EU-Richtlinie und Normen für Artikel</p> <p>GB explains the following conformity according to EU directives and norms for the following product</p> <p>F déclare la conformité suivante selon la directive CE et les normes concernant l'article</p> <p>I dichiara la seguente conformità secondo la direttiva UE e le norme per l'articolo</p> <p>NL verklaart de volgende overeenstemming conform EU richtlijn en normen voor het product</p> <p>E declara la siguiente conformidad a tenor de la directiva y normas de la UE para el artículo</p> <p>P declara a seguinte conformidade, de acordo com as diretiva CE e normas para o artigo</p> <p>DK atterer følgende overensstemmelse i medfør af EU-direktiv samt standarder for artikel</p> <p>S förklarar följande överensstämmelse enl. EU-direktiv och standarder för artikeln</p> <p>FIN vakuuttaa, että tuote täyttää EU-direktiivin ja standardien vaatimukset</p> <p>EE tõendab toote vastavust EL direktiivile ja standarditele</p> <p>CZ vydává následující prohlášení o shodě podle směrnice EU a norem pro výrobek</p> <p>SLO potrjuje sledečo skladnost s smernico EU in standardi za izdelek</p> <p>SK vydáva nasledujúce prehlásenie o zhode podľa smernice EÚ a noriem pre výrobok</p> <p>H a cikkhez az EU-irányvonal és Normák szerint a következő konformitást jelenti ki</p>	<p>PL deklaruje zgodność wymienionego poniżej artykułu z następującymi normami na podstawie dyrektywy WE.</p> <p>BG декларира съответното съответствие съгласно Директива на ЕС и норми за артикул</p> <p>LV paskaidro šādu atbilstību ES direktīvai un standartiem</p> <p>LT apibūdina šį atitikimą EU reikalavimams ir prekės normoms</p> <p>RO declară următoarea conformitate conform directivei UE și normelor pentru articolul</p> <p>GR δηλώνει την ακόλουθη συμμόρφωση σύμφωνα με την Οδηγία ΕΚ και τα πρότυπα για το προϊόν</p> <p>HR potvrđuje sljedeću usklađenost prema smjernicama EU i normama za artikl</p> <p>BIH potvrđuje sljedeću usklađenost prema smjernicama EU i normama za artikl</p> <p>RS potvrđuje sledeću usklađenost prema smernicama EZ i normama za artikal</p> <p>RUS следующим удостоверяется, что следующие продукты соответствуют директивам и нормам ЕС</p> <p>UKR проголошує про зазначену нижче відповідність виробу директивам та стандартам ЄС на виріб</p> <p>MK ja izjavuva slednata soobraznost согласно EУ-директивата и нормите за артикли</p> <p>TR Ürünü ile ilgili AB direktifleri ve normları gereğince aşağıda açıklanan uygunluğu belirtir</p> <p>N erklærer følgende samsvar i henhold til EU-direktivet og standarder for artikkel</p> <p>IS Lýsir uppfyllingu EУ-reglna og annarra staðla vöru</p>	
Electric Grass Trimmer F-ERT 450-1 UK (FERREX)		
<input type="checkbox"/> 2014/29/EU <input type="checkbox"/> 2005/32/EC_2009/125/EC <input type="checkbox"/> (EU)2015/1188 <input type="checkbox"/> 2014/35/EU <input type="checkbox"/> 2006/28/EC <input checked="" type="checkbox"/> 2014/30/EU <input type="checkbox"/> 2014/32/EU <input type="checkbox"/> 2014/53/EU <input type="checkbox"/> 2014/68/EU <input type="checkbox"/> (EU)2016/426 Notified Body: <input type="checkbox"/> (EU)2016/425 <input checked="" type="checkbox"/> 2011/65/EU_(EU)2015/863	<input checked="" type="checkbox"/> 2006/42/EC <input type="checkbox"/> Annex IV Notified Body: Reg. No.: <input checked="" type="checkbox"/> 2000/14/EC_2005/88/EC <input type="checkbox"/> Annex V <input checked="" type="checkbox"/> Annex VI Noise: measured L_{wa} = 94.49 dB (A); guaranteed L_{wa} = 96 dB (A) P = 0.45 kW; L/Ø = 30 cm Notified Body: N.0197 - TÜV Rheinland LGA Products GmbH <input type="checkbox"/> 2012/46/EU_(EU)2016/1628 Emission No.:	
Standard references: EN 60335-1; EN 50636-2-91; EN 62233; EN 55014-1; EN 55014-2; EN 61000-3-2; EN 61000-3-3		
Landau/Isar, den 17.11.2020	 Andreas Weichselgartner/General-Manager	 Gao/Product-Management
First CE: 2020 Art.-No.: 34.021.29 I.-No.: 21010 Subject to change without notice	Archive-File/Record: NAPR024460 Documents registrar: Patrick Willnecker Wiesenweg 22, D-94405 Landau/Isar	





Great care has gone into the manufacture of this product and it should therefore provide you with years of good service when used properly. In the event of product failure within its intended use over the course of the first 3 years after date of purchase, we will remedy the problem as quickly as possible once it has been brought to our attention. In the unlikely event of such an occurrence, or if you require any information about the product, please contact us via our helpline support services, details of which are to be found both in this manual and on the product itself.



PRODUCED IN CHINA FOR:

ALDI STORES LTD. PO BOX 26, ATHERSTONE
WARWICKSHIRE, CV9 2SH.

ALDI STORES (IRELAND) LTD.
PO BOX 726, NAAS, CO. KILDARE.
www.aldi.com

AFTER SALES SUPPORT

803998



GB 0044 151 649 1500 IE 0044 1890 946 244



www.einhell.co.uk

MODEL:

F-ERT 450-1 UK

03/2021

3
YEAR
WARRANTY

EH 11/2020 (01)