

Einhell

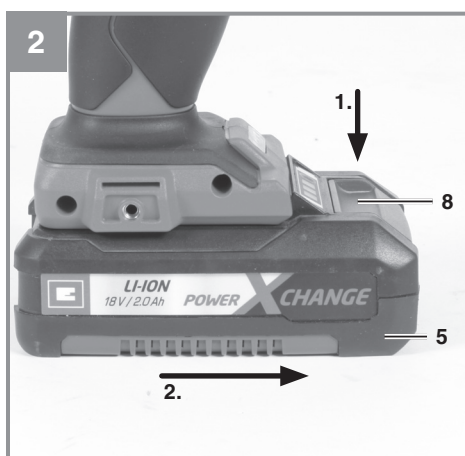
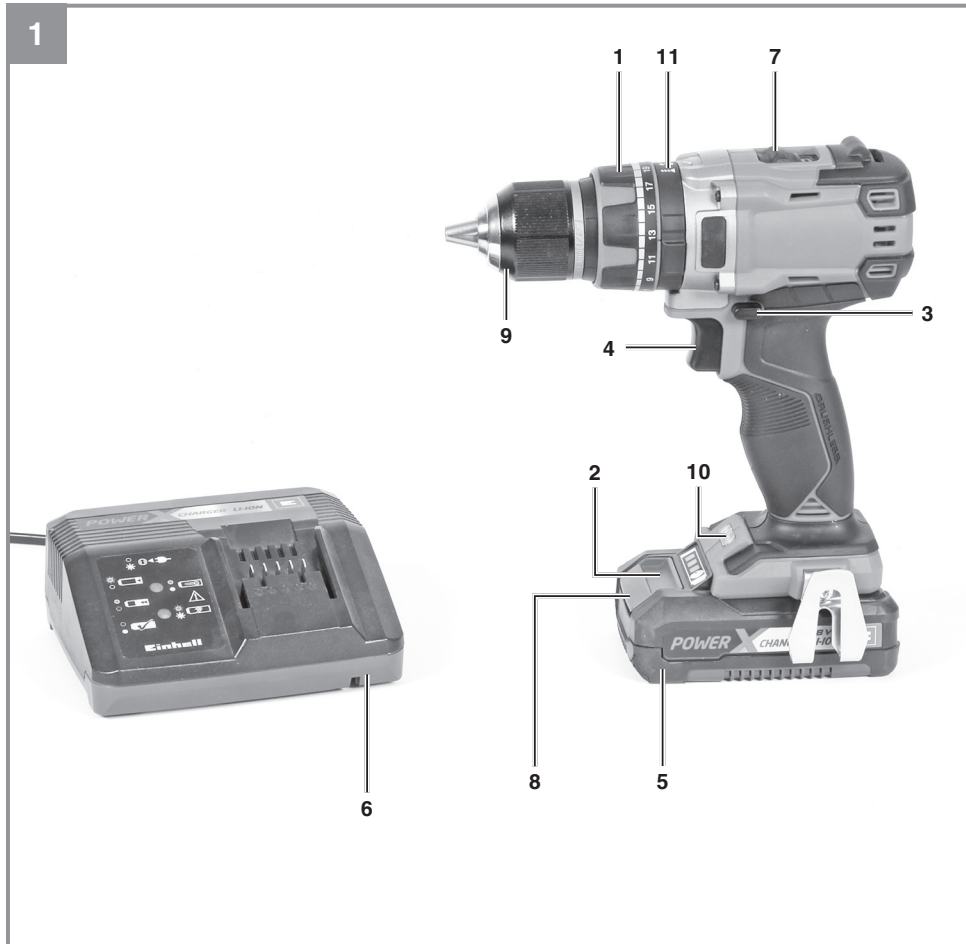
TE-CD 18/50 Li-i BL

GB Original operating instructions
Cordless Hammer Drill/Screwdriver



Art.-Nr.: 45.139.49 (1x4.0 Ah)

I.-Nr.: 21010



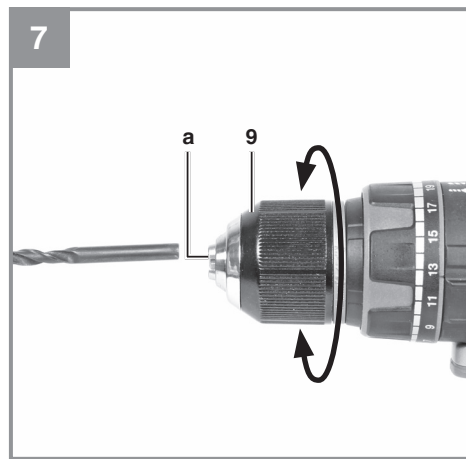
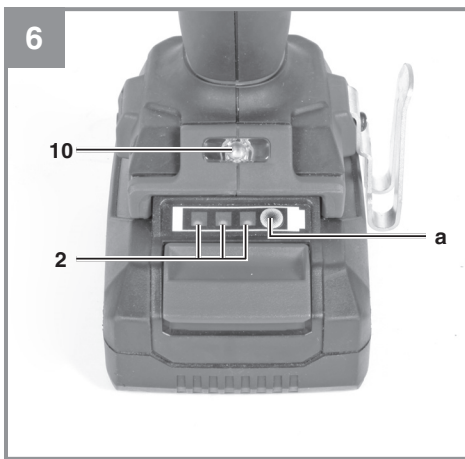
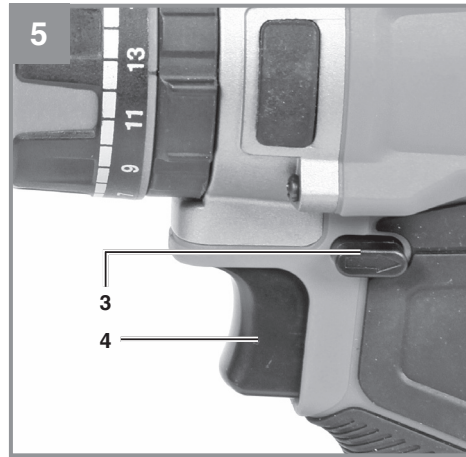
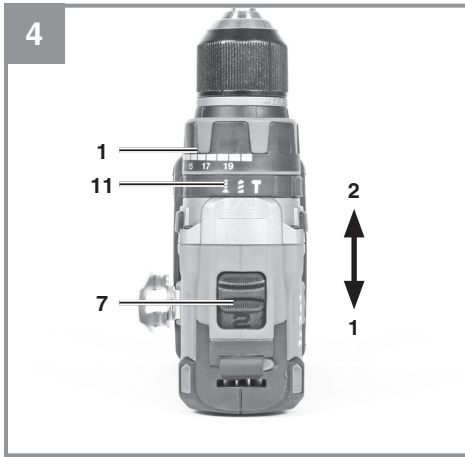




Table of contents

1. Safety regulations
2. Layout and items supplied
3. Proper use
4. Technical data
5. Before starting the equipment
6. Operation
7. Cleaning, maintenance and ordering of spare parts
8. Disposal and recycling
9. Storage
10. Charger indicator



Danger! - Read the operating instructions to reduce the risk of injury



Caution! Wear ear-muffs. The impact of noise can cause damage to hearing.



Caution! Wear a breathing mask. Dust which is injurious to health can be generated when working on wood and other materials. Never use the device to work on any materials containing asbestos!



Caution! Wear safety goggles. Sparks generated during working or splinters, chips and dust emitted by the device can cause loss of sight.



Change the gear only when the drill is at a standstill. If you fail to observe this point, the gearing may be damaged.



Store the battery only in dry rooms with an ambient temperature of +10°C to +40°C. Place only charged batteries in storage (charged at least 40%).



Safety class II



For use in dry rooms only.

Danger!

When using the equipment, a few safety precautions must be observed to avoid injuries and damage. Please read the complete operating instructions and safety regulations with due care. Keep this manual in a safe place, so that the information is available at all times. If you give the equipment to any other person, hand over these operating instructions and safety regulations as well. We cannot accept any liability for damage or accidents which arise due to a failure to follow these instructions and the safety instructions.

1. Safety regulations

The corresponding safety information can be found in the enclosed booklet.

Warning!

Read all the safety information, instructions, illustrations and technical data provided on or with this power tool. Failure to adhere to the following instructions may result in electric shock, fire and/or serious injury.

Keep all the safety information and instructions in a safe place for future use.

2. Layout and items supplied**2.1 Layout (Fig. 1)**

1. Torque selector
2. Battery capacity indicator
3. Changeover switch
4. ON/OFF switch
5. Battery pack
6. Battery charger
7. Selector switch for 1st/2nd gear
8. Pushlock button
9. Quick-change drill chuck
10. LED lamp
11. Selector switch for driving/drilling/impact drilling

2.2 Items supplied

Please check that the article is complete as specified in the scope of delivery. If parts are missing, please contact our service center or the sales outlet where you made your purchase at the latest within 5 working days after purchasing the product and upon presentation of a valid bill of purchase. Also, refer to the warranty table in the service information at the end of the operating

instructions.

- Open the packaging and take out the equipment with care.
- Remove the packaging material and any packaging and/or transportation braces (if available).
- Check to see if all items are supplied.
- Inspect the equipment and accessories for transport damage.
- If possible, please keep the packaging until the end of the guarantee period.

Important!

The equipment and packaging material are not toys. Do not let children play with plastic bags, foils or small parts. There is a danger of swallowing or suffocating!

- Cordless drill/screwdriver
- Charger
- Battery
- Original operating instructions
- Safety instructions

3. Proper use

The cordless impact drill/driver is designed for tightening and undoing screws, for drilling in wood, metal and plastic, and for impact drilling in stone, in each case when using the appropriate bits.

The equipment is to be used only for its prescribed purpose. Any other use is deemed to be a case of misuse. The user / operator and not the manufacturer will be liable for any damage or injuries of any kind caused as a result of this.

Please note that our equipment has not been designed for use in commercial, trade or industrial applications. Our warranty will be voided if the machine is used in commercial, trade or industrial businesses or for equivalent purposes.

4. Technical data

Voltage supply	18 V d.c.
Idling speed:	0-500 / 0-1800 rpm
Torque settings:	20+1+1
Forward and reverse rotation	yes
Chuck clamping width.....	max. 13 mm
Battery charger output voltage:	20 V d. c.
Battery charger output current:	1.5 A
Mains voltage for charger: ..200-250 V~	50-60 Hz
Battery type:	Lithium-ion
Number of battery cells:	10
Battery capacitance:	4.0 Ah
Weight.....	1.2 kg
Max. screw diameter:.....	6 mm

The maximum screw diameter indicates the maximum diameter of the screw that can be screwed into wood. The screw diameter can vary depending on the type of wood.

Danger!

Sound and vibration

Sound and vibration values were measured in accordance with EN 62841.

L_{pA} sound pressure level	91.5 dB(A)
K_{pA} uncertainty	5 dB
L_{WA} sound power level	102.5 dB(A)
K_{WA} uncertainty	5 dB

Wear ear-muffs.

The impact of noise can cause damage to hearing.

Total vibration values (vector sum of three directions) determined in accordance with EN 62841.

Drilling in metal

Vibration emission value $a_h = 4.67 \text{ m/s}^2$
K uncertainty = 1.5 m/s^2

Hammer drilling in concrete

Vibration emission value $a_{h,ID} = 12.76 \text{ m/s}^2$
Uncertainty K = 1.5 m/s^2

The stated vibration emission levels and stated noise emission values were measured in accordance with a set of standardized criteria and can be used to compare one power tool with another.

The stated vibration emission levels and stated noise emission values can also be used to make an initial assessment of exposure.

Warning:

The vibration and noise emission levels may vary from the level specified during actual use, depending on the way in which the power tool is used, especially the type of workpiece it is used for.

Keep the noise emissions and vibrations to a minimum.

- Only use appliances which are in perfect working order.
- Service and clean the appliance regularly.
- Adapt your working style to suit the appliance.
- Do not overload the appliance.
- Have the appliance serviced whenever necessary.
- Switch the appliance off when it is not in use.
- Wear protective gloves.

Caution!

Residual risks

Even if you use this electric power tool in accordance with instructions, certain residual risks cannot be ruled out. The following hazards may arise in connection with the equipment's construction and layout:

1. Lung damage if no suitable protective dust mask is used.
2. Damage to hearing if no suitable ear protection is used.
3. Health damage caused by hand-arm vibrations if the equipment is used over a prolonged period or is not properly guided and maintained.

Limit the operating time.

All stages of the operating cycle must be considered (for example, times in which the electric tools are switched off and times in which the tool is switched on but operates without load).

5. Before starting the equipment

Be sure to read the following information before you use your cordless screwdriver for the first time:

1. Charge the battery pack with the charger supplied.
2. Only ever use sharp drill bits and screwdriver bits which are suitable for the purpose and in

faultless condition.

3. Always check for concealed electric cables and gas and water pipes when drilling and screwing in walls.

6. Operation

6.1 Charging the LI battery pack (Fig. 2-3)

1. Remove the battery pack (5) from the handle, pressing the pushlock buttons (8) downwards to do so.
2. Check that your mains voltage is the same as that marked on the rating plate of the battery charger. Insert the power plug of the charger (6) into the mains socket outlet. The green LED will then begin to flash.
3. Push the battery pack onto the battery charger.

In section 10 "Charger indicator" you will find a table with an explanation of the LED indicator on the charger.

If the battery pack fails to become charged, please check

- whether there is voltage at the socket-outlet
- whether there is proper contact at the charging contacts on the charger.

If the battery still fails to become charged, please return

- the charger
- the battery pack

to our Customer Service Department.

To ensure that items are properly packaged and delivered when you send them to us, please contact our customer service or the point of sale at which the equipment was purchased.

When shipping or disposing of batteries and cordless tools, always ensure that they are packed individually in plastic bags to prevent short circuits and fires.

To ensure that the LI battery pack provides long service you should take care to recharge it promptly. You must recharge the battery pack when you notice that the power of the cordless screwdriver drops.

6.2 Torque setting (Fig. 4 / Item 1)

Important! The tool must be at a standstill when you set the torque with the setting ring.

The cordless screwdriver is fitted with a mechanical torque selector.

The torque for a specific size of screw is selected with the set-collar (1). The correct torque depends on several factors:

- on the type and hardness of material in question
- on the type and length screws used
- on the requirements needing to be met by the screwed joint.

The clutch disengages with a grating sound to indicate when the set torque is reached.

6.3 Selector switch for driving/drilling/impact drilling (Fig. 4/Item 11)

- For driving purposes, set the selector switch (11) to the „Screw“ position. The torque is adjusted via the torque setting (1) (see point 6.2).
- For drilling purposes, set the selector switch (11) to the „Bit“ position. The slip coupling is now off and the maximum torque is available regardless of the torque setting (1).
- For impact drilling purposes, set the selector switch (11) to the „Hammer“ position. The slip coupling is now off and the maximum torque is available regardless of the torque setting (1).

Important! Change the torque setting (1) and the selector switch for driving/drilling/impact drilling (11) only when the equipment is at a standstill.

6.4 Forward/Reverse switch (Fig. 5 / Item 3)

With the slide switch above the On/Off switch you can select the direction of rotation of the battery-powered drill/screwdriver and secure it against being switched on accidentally. You can choose between clockwise and anticlockwise rotation. To avoid causing damage to the gearing it is advisable to change the direction of rotation only when the tool is at a standstill. The On/Off switch is blocked when the slide switch is in centre position.

6.5 On/Off switch (Fig. 5 / Item 4)

Infinitely variable speed control is possible with the On/Off switch. The further you press the switch, the higher the speed of the battery-powered drill/screwdriver.

6.6 Changing over from 1st gear to 2nd gear (Fig. 4 / Item 7)

You can work at a higher or lower speed depending on the position of the selector switch. To avoid damaging the gear unit you should only change over gears when the tool has stopped.

6.7 Battery capacity indicator (Fig. 6 – Item 2)

Press the battery capacity indicator switch (a). The battery capacity indicator (2) shows the charge status of the battery using 3 LEDs.

All 3 LEDs are lit:

The battery is fully charged.

2 or 1 LED(s) are lit:

The battery has an adequate remaining charge.

1 LED blinks:

The battery is empty, recharge the battery.

All LEDs blink:

The battery pack has undergone exhaustive discharge and is defective. Do not use or charge a defective battery pack.

6.8 LED lamp (Fig. 6 / Item 10)

The LED lamp (10) can be used in poor lighting conditions to illuminate the area where you want to drill or screw. The LED lamp (10) will be lit automatically as soon as you press the ON/OFF switch (4).

6.9 Changing the tool (Fig. 7)

Important. Set the changeover switch (3) to its centre position whenever you carry out any work (for example changing the tool, maintenance work, etc.) on the cordless screwdriver.

- The cordless screwdriver is fitted with a quick-action chuck (9) with an automatic spindle stop.
- Open the chuck (9). The chuck opening (a) must be large enough to hold the tool (drill bit or screwdriver bit).
- Select the suitable tool. Push the tool as far as possible into the chuck opening (a).
- Tighten the chuck (9) and then check that the tool is secure.

6.10 Screwdriving

We recommend using self-centering screws (e.g. Torx screws, recessed head screws) designed for reliable working. Be sure to use a bit that matches the screw in shape and size. Set the torque, as described elsewhere in these operating instructions, to suit the size of screw.

7. Cleaning, maintenance and ordering of spare parts

Danger!

Always pull out the battery pack before starting any cleaning work.

7.1 Cleaning

- Keep all safety devices, air vents and the motor housing free of dirt and dust as far as possible. Wipe the equipment with a clean cloth or blow it with compressed air at low pressure.
- We recommend that you clean the device immediately each time you have finished using it.
- Clean the equipment regularly with a moist cloth and some soft soap. Do not use cleaning agents or solvents; these could attack the plastic parts of the equipment. Ensure that no water can seep into the device. The ingress of water into an electric tool increases the risk of an electric shock.

7.2 Maintenance

There are no parts inside the equipment which require additional maintenance.

7.3 Ordering spare parts and accessories

Please provide the following information when ordering spare parts:

- Type of unit
- Article number of the unit
- ID number of the unit
- Spare part number of the required spare part

For our latest prices and information please go to www.isc-gmbh.info



Tip! For good results we recommend high-quality accessories from **kwb !**
www.kwb.eu
welcome@kwb.eu

8. Disposal and recycling

The equipment is supplied in packaging to prevent it from being damaged in transit. The raw materials in this packaging can be reused or recycled. The equipment and its accessories are made of various types of material, such as metal and plastic. Never place defective equipment in your household refuse. The equipment should be taken to a suitable collection center for proper disposal. If you do not know the whereabouts of such a collection point, you should ask in your local council offices.

9. Storage

Store the equipment and accessories out of children's reach in a dark and dry place at above freezing temperature. The ideal storage temperature is between 5 and 30 °C. Store the electric tool in its original packaging.

10. Charger indicator

Indicator status		Explanations and actions
Red LED	Green LED	
Off	Flashing	<p>Ready for use The charger is connected to the mains and is ready for use; there is no battery pack in the charger</p>
On	Off	<p>Charging The charger is charging the battery pack in quick charge mode. The charging times are shown directly on the charger. Important! The actual charging times may vary slightly from the stated charging times depending on the existing battery charge.</p>
Off	On	<p>The battery is charged and ready for use. The unit then changes over to gentle charging mode until the battery is fully charged. To do this, leave the rechargeable battery on the charger for approx. 15 minutes longer. Action: Take the battery pack out of the charger. Disconnect the charger from the mains supply.</p>
Flashing	Off	<p>Adapted charging The charger is in gentle charging mode. For safety reasons the charging is performed less quickly and takes more time. The reasons can be: - The rechargeable battery has not been used for a very long time. - The battery temperature is outside the ideal range. Action: Wait for the charging to be completed; you can still continue to charge the battery pack.</p>
Flashing	Flashing	<p>Fault Charging is no longer possible. The battery pack is defective. Action: Never charge a defective battery pack. Take the battery pack out of the charger.</p>
On	On	<p>Temperature fault The battery pack is too hot (e.g. due to direct sunshine) or too cold (below 0° C). Action: Remove the battery pack and keep it at room temperature (approx. 20° C) for one day .</p>



For EU countries only

Never place any electric power tools in your household refuse.

To comply with European Directive 2012/19/EU concerning old electric and electronic equipment and its implementation in national laws, old electric power tools have to be separated from other waste and disposed of in an environment-friendly fashion, e.g. by taking to a recycling depot.

Recycling alternative to the return request:

As an alternative to returning the equipment to the manufacturer, the owner of the electrical equipment must make sure that the equipment is properly disposed of if he no longer wants to keep the equipment. The old equipment can be returned to a suitable collection point that will dispose of the equipment in accordance with the national recycling and waste disposal regulations. This does not apply to any accessories or aids without electrical components supplied with the old equipment.

The reprinting or reproduction by any other means, in whole or in part, of documentation and papers accompanying products is permitted only with the express consent of the iSC GmbH.

Subject to technical changes.

This consignment contains lithium-ion batteries.

In accordance with special provision 188 this consignment is not subject to the ADR regulations. Handle with care. Danger of ignition in case of damage to the consignment package. If the consignment package is damaged: Check and if necessary repackage. For further information contact: 0049 1807 10 20 20 66 (fixed network 14 ct/min, mobile phone max. 42 ct/min) Outside Germany charges will apply instead for a regular call to a landline number in Germany.

Service information

We have competent service partners in all countries named on the guarantee certificate whose contact details can also be found on the guarantee certificate. These partners will help you with all service requests such as repairs, spare and wearing part orders or the purchase of consumables.

Please note that the following parts of this product are subject to normal or natural wear and that the following parts are therefore also required for use as consumables.

Category	Example
Wear parts*	Drill chuck, Battery
Consumables*	Bit inserts/drill bits
Missing parts	

* Not necessarily included in the scope of delivery!

In the event of defects or faults, please register the problem on the internet at www.isc-gmbh.info. Please ensure that you provide a precise description of the problem and answer the following questions in all cases:

- Did the equipment work at all or was it defective from the beginning?
- Did you notice anything (symptom or defect) prior to the failure?
- What malfunction does the equipment have in your opinion (main symptom)?
Describe this malfunction.

Warranty certificate

Dear Customer,

All of our products undergo strict quality checks to ensure that they reach you in perfect condition. In the unlikely event that your device develops a fault, please contact our service department at the address shown on this guarantee card. You can also contact us by telephone using the service number shown. Please note the following terms under which guarantee claims can be made:

1. These guarantee terms apply to consumers only, i.e. natural persons intending to use this product neither for their commercial activities nor for any other self-employed activities. These warranty terms regulate additional warranty services, which the manufacturer mentioned below promises to buyers of its new products in addition to their statutory rights of guarantee. Your statutory guarantee claims are not affected by this guarantee. Our guarantee is free of charge to you.
2. The warranty services cover only defects due to material or manufacturing faults on a product which you have bought from the manufacturer mentioned below and are limited to either the rectification of said defects on the product or the replacement of the product, whichever we prefer.
Please note that our devices are not designed for use in commercial, trade or professional applications. A guarantee contract will not be created if the device has been used by commercial, trade or industrial business or has been exposed to similar stresses during the guarantee period.
3. The following are not covered by our guarantee:
 - Damage to the device caused by a failure to follow the assembly instructions or due to incorrect installation, a failure to follow the operating instructions (for example connecting it to an incorrect mains voltage or current type) or a failure to follow the maintenance and safety instructions or by exposing the device to abnormal environmental conditions or by lack of care and maintenance.
 - Damage to the device caused by abuse or incorrect use (for example overloading the device or the use of unapproved tools or accessories), ingress of foreign bodies into the device (such as sand, stones or dust, transport damage), the use of force or damage caused by external forces (for example by dropping it).
 - Damage to the device or parts of the device caused by normal or natural wear or tear or by normal use of the device.
4. The guarantee is valid for a period of 24 months starting from the purchase date of the device. Guarantee claims should be submitted before the end of the guarantee period within two weeks of the defect being noticed. No guarantee claims will be accepted after the end of the guarantee period. The original guarantee period remains applicable to the device even if repairs are carried out or parts are replaced. In such cases, the work performed or parts fitted will not result in an extension of the guarantee period, and no new guarantee will become active for the work performed or parts fitted. This also applies if an on-site service is used.
5. To make a claim under the guarantee, please register the defective device at: www.isc-gmbh.info. Please keep your bill of purchase or other proof of purchase for the new device. Devices that are returned without proof of purchase or without a rating plate shall not be covered by the guarantee, because appropriate identification will not be possible. If the defect is covered by our guarantee, then the item in question will either be repaired immediately and returned to you or we will send you a new replacement.

Of course, we are also happy offer a chargeable repair service for any defects which are not covered by the scope of this guarantee or for units which are no longer covered. To take advantage of this service, please send the device to our service address.

Also refer to the restrictions of this warranty concerning wear parts, consumables and missing parts as set out in the service information in these operating instructions.

- D** erkl rt folgende Konformit t gem B EU-Richtlinie und Normen f r Artikel
- GB** explains the following conformity according to EU directives and norms for the following product
- F** d clare la conformit  suivante selon la directive CE et les normes concernant l'article
- I** dichiara la seguente conformit  secondo la direttiva UE e le norme per l'articolo
- NL** verklaart de volgende overeenstemming conform EU richtlijn en normen voor het product
- E** declara la siguiente conformidad a tenor de la directiva y normas de la UE para el art culo
- P** declara a seguinte conformidade, de acordo com as diretiva CE e normas para o artigo
- DK** attesterer folgende overensstemmelse i medf r af EU-direktiv samt standarder for artikel
- S** f rklarar f ljande  verensst mmelse enl. EU-direktiv och standarder f r artikeln
- FIN** vakuuttaa, ett  tuote t ytt t  EU-direktiivin ja standardien vaatimukset
- EE** t endab toote vastavust EL direktiivile ja standarditele
- CZ** vyd v  n sleduj ci prohl sen  o shod  podle sm rnice EU a norem pro v robek
- SLO** potrjuje slede o skladnost s smernico EU in standardi za izdelek
- SK** vyd v  n sleduj ce prehl senie o zhode podl'a smernice EU a noriem pre v robok
- H** a cikkekhez az EU-ir nyvonal  s Norm k szerint a k vetkez  konformit st jelenti ki
- PL** deklaruje zgodno c wymienionego poniżej artykułu z nast puj cymi normami na podstawie dyrektywy WE.
- BG** декларира съответното съответствие съгласно Директива на ЕС и норми за артикул
- LV** paskaidro š du atbilst bu ES direkt vai un standartiem
- LT** apib dina š  atitikim  EU reikalavimams ir prek s normoms
- RO** declar  urm toarea conformitate conform directivei UE și normelor pentru articolul
- GR** δηλώνει την ακόλουθη συμμόρφωση σύμφωνα με την Οδηγία ΕΚ και τα πρότυπα για το προϊόν
- HR** potvrđuje sljedeću usklađenost prema smjernicama EU i normama za artikl
- HR** potvrđuje sljedeću usklađenost prema smjernicama EU i normama za artikl
- RS** potvrđuje sledeću usklađenost prema smernicama EZ i normama za artikal
- RUS** следующим удостоверяется, что следующие продукты соответствуют директивам и нормам ЕС
- UKR** проголошує про зазначену нижче відповідність виробу директивам та стандартам ЄС на виріб
- MK** ja izjavuva slednata soobrznost согласно EU-директивата и нормите за артикли
- TR** Ürünü ile ilgili AB direktifleri ve normları gereğince a ağında açıklanan uygunluęu belirtir
- N** erkl rer f lgende samsvar i henhold til EU-direktivet og standarder for artikkel
- IS** L syr uppt llingu EU-reglna og annarra sta la v ru

Akku-Schlagbohrschrauber TE-CD 18/50 Li-i BL / Ladeger t Power-X-Charger (Einhell)

- 2014/29/EU
- 2005/32/EC_2009/125/EC
- (EU)2015/1188
- 2014/35/EU
- 2006/28/EC
- 2014/30/EU
- 2014/32/EU
- 2014/53/EU
- 2014/68/EU
- (EU)2016/426
- (EU)2016/425
- 2011/65/EU_(EU)2015/863
- 2006/42/EC
- Annex IV
- Notified Body:
Reg. No.:
- 2000/14/EC_2005/88/EC
- Annex V
- Annex VI
- Noise: measured L_{WA} = dB (A); guaranteed L_{WA} = dB (A)
P = KW; L/  = cm
- Notified Body:
- 2012/46/EU_(EU)2016/1628
- Emission No.:

Standard references: EN 62841-1; EN 62841-2-1; EN 62233; EN 60335-1; EN 60335-2-29; EN 55014-1; EN 55014-2; EN 61000-3-2; EN 61000-3-3

Landau/Isar, den 22.04.2020

Andreas Weichselgartner/General-Manager

Yang/Product-Management

First CE: 18
Art.-No.: 45.139.49 I.-No.: 21010
Subject to change without notice

Archive-File/Record: NAPR023599
Documents registrar: Alex Kurz
Wiesenweg 22, D-94405 Landau/Isar



Two horizontal lines are positioned to the right of the pencil tip, serving as a starting point for writing. Below these, there are 28 additional horizontal lines, evenly spaced, extending across the width of the page to provide a template for handwriting practice.



EH 05/2020 (01)

