

Einhell®

GE-CL 18 Li E

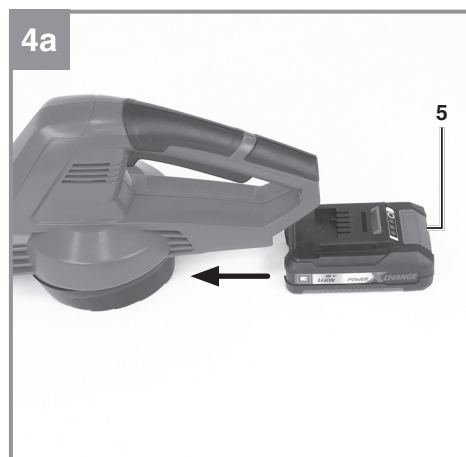
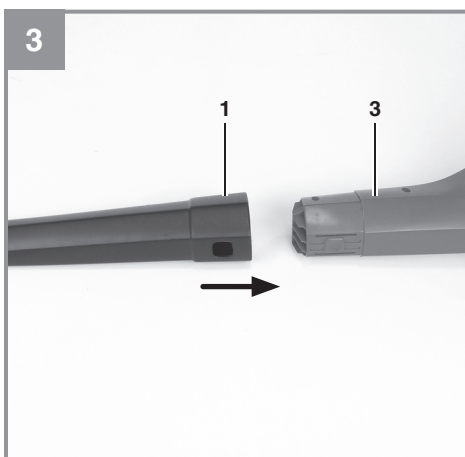
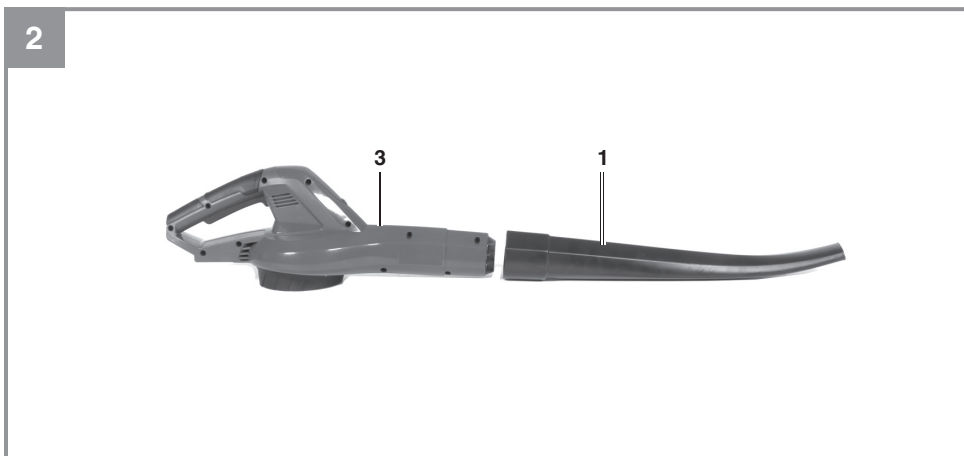
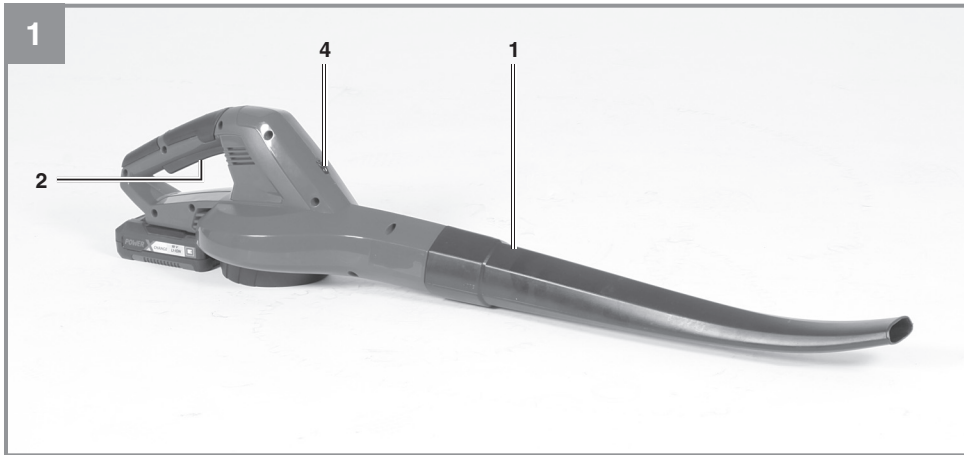
-
- EN** Original operating instructions
Cordless Leaf Blower
- SP** Manual de instrucciones original
Soplador de hojas inalámbrico
- FR** Traduction du mode d'emploi
d'origine
Souffleur de feuilles sans fil



Art.-Nr.: 3433540

I.-Nr.: 11018





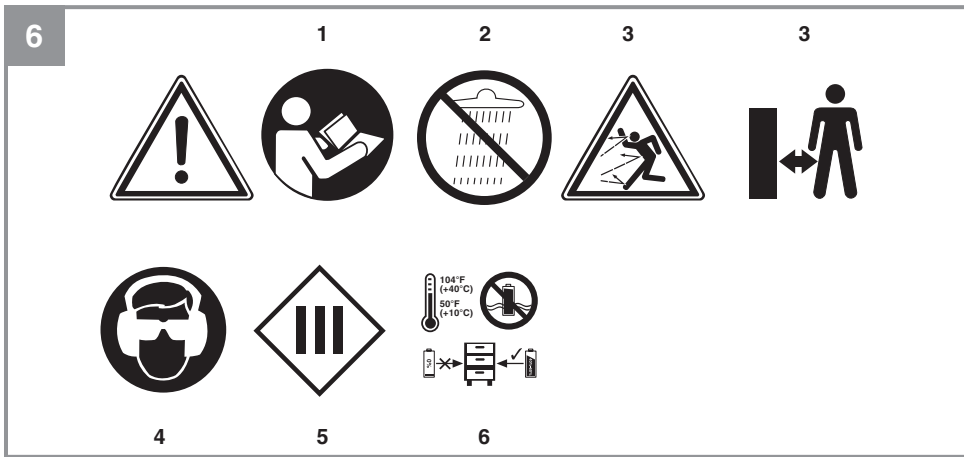
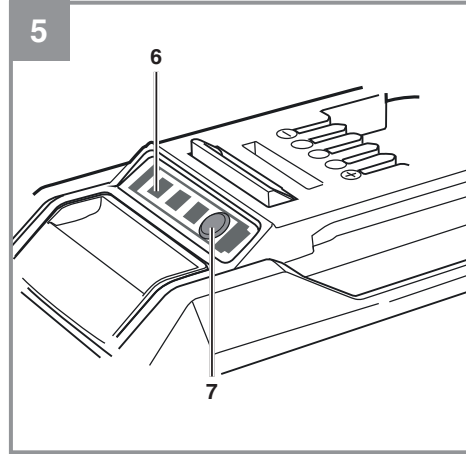


Table of contents

1. Safety information
2. Layout and items supplied
3. Intended use
4. Technical data
5. Before starting the equipment
6. Operation
7. Cleaning, maintenance and ordering spare parts
8. Faults
9. Disposal and recycling
10. Storage

DANGER!

When using the equipment, a number of safety precautions must be observed to avoid injuries and damage. Please read the complete operating instructions and safety information with due care. Keep these operating instructions in a safe place so that the information is available at all times. If you give the equipment to any other person, hand over these operating instructions and the safety information as well. We cannot accept any liability for damage or accidents which arise due to failure to follow these instructions and the safety information.

1. Safety information**Read All Instructions**

WARNING: When using electric gardening appliances, basic safety precautions should always be followed to reduce the risk of fire, electric shock, and personal injury, including the following:

FOR ALL APPLIANCES

- Avoid dangerous environments - do not use appliances in damp or wet locations.
- Don't use in rain.
- Keep children away - all people and pets should be kept at a distance from the work area.
- Dress properly - do not wear loose clothing or jewelry. They can be caught in moving parts. Wear protective clothing; use of work gloves, long pants, a long sleeved shirt and safety footwear is recommended when working outdoors. Wear protective hair covering to contain long hair.
- Use safety glasses - always use face or dust mask if the area in which you are working is dusty. The purpose of the safety rules is to attract your attention to possible dangers. The safety symbols and the explanations with them, require your careful attention and understanding. The safety warnings do not by themselves eliminate any danger. The instruction or warnings they give are not substitutes for proper accident prevention measures.
- Use right appliance - do not use appliance for any job except that for which it is intended.
- Do not force appliance - it will do the job better and with less likelihood of a risk of injury at the rate for which it was designed.
- Do not overreach - keep proper footing and balance at all times.
- Stay alert. Use common sense. Do not operate appliance when you are tired or under the influence of drugs, alcohol or medication.
- When not in use, appliances should be stored indoors in dry places out of reach of children.
- Maintain appliance with care. Follow instructions for lubricating and changing accessories. Keep handles dry, clean, and free from oil and grease.
- Check damaged parts. Before using the appliance, make sure the safety guards are intact. Never use a tool without its safety guard. Check the alignment of the moving parts, the binding of the moving parts.
- Check for broken or defective parts that can affect the safe operation of your tool. A guard or other part that is damaged should be properly repaired or replaced by an authorized service centre unless indicated elsewhere in this manual.
- Recharge only with the charger specified by the manufacturer. A charger that is suitable for one type of battery pack may create a risk of fire when used with another battery pack.
- Use appliances only with specifically designated battery packs. Use of any other battery packs may create a risk of injury and fire.
- When battery pack is not in use, keep it away from other metal objects, like paper clips, coins, keys, nails, screws or other small metal objects, that can make a connection from one terminal to another. Shorting the battery terminals together may cause burns or a fire.
- Under abusive conditions, liquid may be ejected from the battery; avoid contact. If contact accidentally occurs, flush with water. If liquid contacts eyes, additionally seek medical help. Liquid ejected from the battery may cause irritation or burns. (This advice is considered correct for conventional NiMh, NiCd, lead acid and lithium-ion cell types. If this advice is incorrect for a cell design that differs from these, then the correct advice may be substituted.)
- Do not use a battery pack or appliance that is damaged or modified. Damaged or modified batteries may exhibit unpredictable behavior resulting in fire, explosion or risk of injury.
- Follow all charging instructions and do not charge the battery pack or appliance outside of the temperature range specified

in the instructions. Charging improperly or at temperatures outside of the specified range may damage the battery and increase the risk of fire.

- Have servicing performed by a qualified repair person using only identical replacement parts. This will ensure that the safety of the product is maintained.
- Do not modify or attempt to repair the appliance or the battery pack (as applicable) except as indicated in the instructions for use and care.

1. FOR ALL BATTERY-OPERATED GARDENING APPLIANCES:

- Do not charge appliance in rain, or in wet locations.
- Do not use battery-operated appliances in the rain. Always remove or disconnect battery pack before adjusting, cleaning, servicing or transporting the lawn trimmer.

2. FOR ALL BATTERY-OPERATED PRODUCTS EMPLOYING A DETACHABLE OR SEPARABLE BATTERY:

- Use only the following type and size battery:
18V 1.5Ah P-X-C lithium-ion battery
18V 2.0Ah P-X-C lithium-ion battery
18V 2.6Ah P-X-C Plus lithium-ion battery
18V 3.0Ah P-X-C lithium-ion battery
18V 4.0Ah P-X-C lithium-ion battery
18V 5.2Ah P-X-C Plus lithium-ion battery
- Do not dispose of the battery in a fire. The cell may explode. Check with local codes for possible special disposal instructions.
- Do not open or mutilate the battery. Released electrolyte is corrosive and may cause damage to the eyes or skin. It may be toxic if swallowed.
- Exercise care in handling the battery in order not to short it with conducting materials such as rings, bracelets, and keys. The battery or conductor may overheat and cause burns.

3. AVOID UNINTENTIONAL STARTING – DO NOT INSERT BATTERY WHILE YOUR FINGER IS ON THE SWITCH. BE SURE SWITCH IS OFF WHEN INSERTING THE BATTERY. ADDITIONAL SAFETY RULES FOR GRASS AND EDGE TRIMMERS

- Keep guards in place and in good working order.
- Keep hands and feet away from cutting area.
- Do not use heavier lines than those

recommended in this manual.

- Do not use line materials of other types – for example, metal wire, rope, and the like.

GENERAL SAFETY WARNINGS FOR THE BATTERY PACK

- Dispose of used battery promptly and properly. When disposing of secondary cells or batteries, keep cells or batteries of different electrochemical systems separate from each other.
- Keep battery out of reach of children and in original package until ready to use.
- Never put batteries in one's mouth. If swallowed, contact local poison control centre immediately.
- CAUTION – The battery used in this device may present a risk of fire or chemical burn if mishandled. Replace battery with Einhell/lawn master brand only. Use of another battery may present a risk of fire or explosion.
- WARNING: Do not use a visibly damaged battery pack or appliance.
- WARNING: Do not modify or attempt to repair the appliance or the battery pack.
- **BATTERIES MUST BE RECYCLED.**
- Do not short-circuit a cell or battery. Do not store cells or batteries haphazardly in a box or drawer where they may shortcircuit each other or be short-circuited by conductive materials.
- Do not subject cells or batteries to mechanical shocks.
- Keep cells and batteries clean and dry. Wipe the cell or battery terminals with a clean dry cloth if they become dirty.
- Do not maintain secondary cells and batteries on charge when not in use.
- Retain the original cell and battery. Do not use any charger other than that specifically provided for use with the equipment. Secondary cells and batteries need to be charged before use. Always use the correct charger and refer to the manufacturer's instructions or equipment manual for proper charging instructions.
- When possible, remove the battery from the equipment when not in use.
- Prevent unintentional starting. Ensure the switch is in the off-position before connecting to the battery pack, picking up or carrying the appliance. Carrying the appliance with your finger on the switch or energizing appliances that have the switch on invites accidents.
- Disconnect the battery pack from the

appliance before making any adjustments, changing accessories, or storing appliance. Such preventive safety measures reduce the risk of starting the appliance accidentally.

- Under abusive conditions, liquid may be ejected from the battery; avoid contact. If contact accidentally occurs, flush with water. If liquid contacts eyes, additionally seek medical help. Liquid ejected from the battery may cause irritation or burns.
- Have servicing performed by a qualified repair person using only identical replacement parts. This will ensure that the safety of the product is maintained.

IMPORTANT SAFETY INSTRUCTIONS FOR CHARGER

WARNING: This product may contain lead, phthalate or other chemicals known to the State of California to cause cancer, birth defects and other reproductive harm. Please wash your hands after use.

Explanation of the warning signs on the equipment (see Fig. 6)

1. Read the directions for use before operating the tool.
2. Do not use the tool in rain or snow. Do not expose the tool to wet conditions.
3. Keep all other persons away from the danger zone.
4. Wear goggles and ear muffs.
5. Safety class III / Safety extra-low voltage
6. Store the battery only in dry rooms with an ambient temperature of +10°C to +40°C. Place only charged batteries in storage (charged at least 40%).

2. Layout and items supplied

2.1 Layout (Fig. 1/2)

1. Blower tube
2. On/Off switch
3. Motor unit
4. Speed controller
5. Pushlock button
6. Battery capacity indicator
7. Battery capacity indicator button

2.2 Items supplied

Please check that the article is complete as specified in the scope of delivery. If parts are missing, please contact our service center or the

store where you made your purchase at the latest within 5 work days after purchasing the article and upon presentation of a valid bill of purchase.

- Open the packaging and take out the equipment with care.
- Remove the packaging material and any packaging and/or transportation braces (if present).
- Check to see if all the items are supplied.
- Inspect the equipment and accessories for transport damage.
- If possible, keep the packaging until the end of the guarantee period.

Danger!

The equipment and packaging material are not toys. Do not let children play with plastic bags, plastic sheets and small parts. There is a risk of choking and suffocating!

- Motor unit
- Blower tube
- Original operating instructions

Separately available accessories

18V 1.5Ah P-X-C lithium-ion battery
 18V 2.0Ah P-X-C lithium-ion battery
 18V 2.6Ah P-X-C Plus lithium-ion battery
 18V 3.0Ah P-X-C lithium-ion battery
 18V 4.0Ah P-X-C lithium-ion battery
 18V 5.2Ah P-X-C Plus lithium-ion battery
 18V P-X-C charger

Explore battery + charger options at einhellUSA.com


3. Intended use

The cordless leaf blower is designed to handle only foliage and garden refuse such as grass and small branches. Any other use is prohibited.

The equipment is allowed to be used only for its prescribed purpose. Any other use is deemed to be a case of misuse. The user/operator and not the manufacturer will be liable for any damage or injuries of any kind resulting from such misuse.

Please note that our equipment has not been designed for use in commercial, trade or industrial applications. Our warranty will be voided if the equipment is used in commercial, trade or industrial businesses or for equivalent purposes.

4. Technical data

Motor power supply:	18 V 
Idling speed n_0	12000 min ⁻¹ (rpm)
Maximum air speed:	130 mph (210 km/h)
Speed levels	6
Protection class	III
Weight	3.3 lbs (1.5 kg)

Wear ear-muffs.

The impact of noise can cause damage to hearing.

Reduce noise generation and vibration to a minimum!

- Use only equipment that is in perfect condition.
- Maintain and clean the equipment regularly.
- Adapt your way of working to the equipment.
- Do not overload the equipment.
- Have the equipment checked if necessary.
- Switch off the equipment when not in use.
- Wear gloves.

CAUTION!

Residual risks

Even if you use this electric power tool in accordance with the instructions, certain residual risks cannot be eliminated. The following hazards may arise in connection with the equipment's construction and layout:

1. Lung damage if no suitable protective dust mask is used.
2. Damage to hearing if no suitable ear protection is applied.
3. Health damage caused by hand-arm vibrations if the equipment is used over a longer period or is not properly guided and maintained.

5. Before starting the equipment

5.1 Fitting the blower tube (Fig. 3)

Plug the blower tube (Item. 1) to the motor unit (Item 3).

5.2 Fitting the battery (Fig. 4a/4b)

Press the pushlock button (Fig. 4a/Item 5) of the rechargeable battery as shown in Fig. 4a and push the battery into the battery mount provided. When the rechargeable battery is positioned as in Fig. 4b, make sure that the pushlock button (5) latches in place! To remove the battery pack, proceed in reverse order.

5.3 Speed control (Fig. 1)

The device is fitted with an electronic speed controller. To use it, turn the speed controller (Fig. 1/Item 4) into the required position. Use the device only with the speed which is actually required and do not let it run at a speed which is faster than necessary.

6. Operation

- To switch on, press and hold the On/Off switch (2).
- To switch off, let go of the On/Off switch.
- Channel the air stream forward and walk slowly to blow foliage or garden refuse into a pile or to clear out hard-to-reach places.

6.1 Charging the Li battery pack

The corresponding instructions can be found in the original operating instructions for your charger.

6.2 Battery capacity indicator (Fig. 3 / item 2)

Press the battery capacity indicator switch (a). The battery capacity indicator (2) shows the charge status of the battery using 3 LEDs.

All 3 LEDs lit:

The battery is fully charged.

2 or 1 LED(s) lit:

The battery has an adequate remaining charge.

1 LED flashing:

The battery is empty, recharge the battery.

All LEDs flashing:

The battery pack has been deep-discharged and is defective. Do not re-use or charge a defective battery pack.

7. Cleaning, maintenance and ordering spare parts

HAZARD!

Always take the battery out of the equipment before starting any cleaning work.

7.1 Cleaning

- Keep all safety devices, air vents and the motor housing free of dirt and dust as far as possible. Wipe the equipment with a clean cloth or blow it down with compressed air at low pressure.
- We recommend cleaning the equipment immediately each time after use.
- Clean the equipment regularly with a damp cloth and some soft soap. Do not use cleaning agents or solvents; these may be aggressive to the plastic parts in the equipment. Ensure that no water can get into the interior of the equipment. The ingress of water into an electric power tool increases the risk of an electric shock.

7.2 Maintenance

- Should the tool experience problems beyond those mentioned above, let only an authorized professional or a customer service shop perform an inspection.
- There are no other parts inside the equipment which require maintenance.

7.3 Ordering replacement parts: Service

1. **If your power tool requires service, contact an authorized Einhell USA dealer or call the Einhell USA customer service center at 1-866-EINHELL (1-866-346-4355).** Only identical replacement parts should be utilized for repairs. This will ensure that the safety of the power tool is maintained.
2. **If the battery charger cable is damaged, it must be immediately replaced to avoid a hazard.** Contact the Einhell USA® customer service center at 1-866-EINHELL (1-866-346-4355) for assistance.

8. Faults

The equipment does not work:

Check that the battery is charged and whether the charging unit is working. If the equipment will not work in spite of the voltage supply being OK, please send it to the customer service address below.

9. Disposal and recycling

The equipment is supplied in packaging to prevent it from being damaged in transit. The raw materials in this packaging can be reused or recycled. The equipment and its accessories are made of various types of material, such as metal and plastic. Never place defective equipment in your household refuse. The equipment should be taken to a suitable collection center for proper disposal. If you do not know the whereabouts of such a collection point, you should ask in your local council offices.

10. Storage

Store the equipment and its accessories out of children's reach in a dark and dry place at above freezing temperature. The ideal storage temperature is between 41°F and 86°F (5°C and 30°C). Keep the electric tool in its original packaging.

The reprinting or reproduction by any other means, in whole or in part, of documentation and papers accompanying the products is strictly subject to the express consent of iSC GmbH.

Subject to technical changes

Einhell

EINHELL CUSTOMER PROMISE

QUALITY COMES FIRST. The Einhell name is synonymous with high-performance tools and high-quality European craftsmanship. From cordless screwdrivers to electric lawn mowers, Einhell USA designs and develops state-of-the-art handheld power and garden tools for DIY enthusiasts, hobby gardeners, and handymen.

Einhell USA's quality assurance and engineering teams ensure products are subjected to stringent quality and performance tests. We know that sometimes tough tools go through tough times. In the event that you should experience any issue with your product, you have our commitment that we'll do everything we can to get you back a tool that's ready to work as hard as you do.

PRODUCT REGISTRATION:

Einhell strongly encourages you to register your purchase. You can register online at **EinhellUSA.com**. Failure to register your product purchase will not diminish your warranty rights. However, registering your purchase will allow Einhell to better serve you with any of your customer service needs.

WHAT IS COVERED?

Einhell warrants to the owner that if this Machine fails within 2 years from the date of purchase due to a defect in material or workmanship or as a result of normal wear and tear from ordinary household use, Einhell will send a replacement part or product, as needed, free of charge and with free shipping to the original purchaser. If, in Einhell's sole discretion, the failed Machine cannot be repaired with a part, Einhell will elect to either (A) send a new Machine at no charge and with free shipping or (B) refund the full purchase price to the owner.

WHO CAN SEEK WARRANTY COVERAGE?

This Warranty is extended by Einhell to the owner of this Machine (a "Machine" consists of a product powered by a motor) for residential and personal household use only. This warranty is limited to thirty (30) days from the start of original purchase of any EINHELL brand product that is used for commercial purposes, or any other income-producing purpose. Should ownership of this machine change during the coverage period, please update the Machine's owner information at **EinhellUSA.com**

WHAT IS NOT COVERED?

This warranty does not cover any product that has been subject to misuse, neglect, negligence, or accident, or that has been operated in any way contrary to the operating instructions as specified in the operator's manual. This Warranty does not cover cosmetic changes that do not affect performance.

This Warranty is only valid if the Machine is used and maintained in accordance with the instructions, warnings and safeguards contained in the owner's manual. Einhell will not be responsible for the cost of any unauthorized warranty repairs. This warranty does not cover any cost or expense incurred by the purchaser in providing substitute equipment or service during reasonable periods of malfunction or non-use of this product while waiting for a replacement part or unit under this warranty.

Wearing parts like belts, augers, chains and tines are not covered under this warranty, and can be purchased at **EinhellUSA.com** or by calling **1-866-EINHELL (1-866-346-4355)**. Batteries are covered in full for 90-days from the date of purchase.

Repair, replacement or refund of the purchase price are the exclusive remedies of purchaser and the sole liability of Einhell under this warranty. No employee or representative of Einhell is authorized to make any additional warranty or any modification to this warranty which may be binding upon Einhell. Accordingly, purchaser should not rely upon any additional statements made by any employee or representative of Einhell. In no event, whether based on contract, indemnity, warranty, tort (including negligence), strict liability or otherwise, shall Einhell be liable for any special, indirect, incidental, or consequential damages, including, without limitation, loss of profit or revenue.

Some states do not allow limits on warranties. In such states, the above limitations may not apply to you.

Outside the USA and Canada, other warranties may apply.

Índice de contenidos

1. Instrucciones de seguridad
2. Descripción del aparato y volumen de entrega
3. Uso adecuado
4. Características técnicas
5. Antes de la puesta en marcha
6. Manejo
7. Mantenimiento, limpieza y pedido de piezas de repuesto
8. Averías
9. Eliminación y reciclaje
10. Almacenamiento

Peligro!

Al usar aparatos es preciso tener en cuenta una serie de medidas de seguridad para evitar lesiones o daños. Por este motivo, es preciso leer atentamente este manual de instrucciones/advertencias de seguridad. Guardar esta información cuidadosamente para poder consultarla en cualquier momento. En caso de entregar el aparato a terceras personas, será preciso entregarles, asimismo, el manual de instrucciones/advertencias de seguridad. No nos hacemos responsables de accidentes o daños provocados por no tener en cuenta este manual y las instrucciones de seguridad.

1. Instrucciones de seguridad**Leer todas las instrucciones**

ADVERTENCIA: Al usar aparatos eléctricos de jardinería es preciso tener en cuenta una serie de medidas básicas de seguridad con el fin de reducir el riesgo de incendio, descarga eléctrica y lesiones personales, incluyendo las siguientes:

PARA TODOS LOS APARATOS

- Evitar entornos peligrosos: no utilizar los aparatos en lugares húmedos o mojados.
- No usar bajo la lluvia.
- Mantener a los niños alejados: es preciso mantener a todas las personas y animales alejados de la zona de trabajo.
- Vestirse adecuadamente: no llevar ropa holgada ni joyas. Podrían quedarse atrapadas en las piezas móviles. Llevar ropa protectora: se recomienda usar guantes, pantalones largos, una camiseta de manga larga y calzado de seguridad siempre que se trabaje en el exterior. Llevar gorro para cubrir y proteger el pelo largo.
- Llevar gafas de seguridad: llevar siempre mascarilla antipolvo si hay polvo en el área en el que se va a trabajar. El objetivo de las normas de seguridad es advertir de los posibles peligros. Es preciso prestar especial atención y comprender los símbolos de seguridad y sus explicaciones. Las advertencias de seguridad no eliminan por sí mismas los peligros. Las instrucciones o advertencias que ofrecen no sustituyen las medidas adecuadas para la prevención de accidentes.
- Utilizar el aparato adecuado: no utilizar el aparato para realizar un trabajo para el que no haya sido concebido.
- No forzar el aparato: trabajará mejor y con menos probabilidad de que exista riesgo de sufrir lesiones dentro de los parámetros para la que ha sido diseñado.
- No sobreextenderse: mantener siempre bien apoyados los pies y el equilibrio.
- Estar siempre atento. Utilizar el sentido común. No operar el aparato si se está cansado o bajo la influencia de drogas, alcohol o medicación.
- Cuando no se utilice el aparato, se deberá almacenar en un recinto cerrado y seco fuera del alcance de los niños.
- Realizar el mantenimiento del aparato con cuidado. Seguir las instrucciones para la lubricación y el cambio de accesorios. Mantener las empuñaduras secas, limpias y libres de aceite y grasa.
- Comprobar que no haya piezas dañadas. Antes de utilizar el aparato, asegurarse de que las protecciones de seguridad estén intactas. No utilizar nunca una herramienta sin su protección de seguridad. Revisar la alineación de las piezas móviles y sus uniones.
- Comprobar que no haya piezas rotas o defectuosas que puedan afectar el funcionamiento seguro de la herramienta. Un dispositivo de protección dañado u otra pieza dañada se deberá enviar a reparar adecuadamente o sustituir a un centro de servicio autorizado a no ser que se indique lo contrario en este manual.
- Recargar solo con el cargador especificado por el fabricante. Un cargador adecuado para un tipo de batería puede conllevar el riesgo de provocar un incendio si se usa con otro tipo de batería.
- Utilizar los aparatos solo con las baterías designadas específicamente. El uso de cualquier otro tipo de batería puede suponer un riesgo de sufrir lesiones y de provocar un incendio.
- Si no se está usando la batería, mantenerla alejada de otros objetos metálicos, como clips, monedas, llaves, clavos, tornillos u otros objetos pequeños de metal que puedan realizar una conexión de un terminal al otro. Si se cortocircuitan los terminales de la batería, se pueden provocar quemaduras o un incendio.
- En caso de uso excesivo, es posible que algo de líquido gotee de la batería. Evitar el contacto. En caso de contacto accidental, lavar con agua. Si el líquido entra en contacto con los ojos, buscar atención médica. El líquido

que sale de la batería puede causar irritación o quemaduras. (Estos consejos están destinados a los tipos de batería convencionales NiMH, NiCd, de plomo y ácido y de iones de litio. Si estos consejos no son adecuados para un tipo de batería distinta a estos, sustituirlos por los consejos adecuados.)

- No utilizar baterías ni aparatos que estén dañados o modificados. Las baterías dañadas o modificadas pueden manifestar comportamientos impredecibles que den lugar a incendio, explosión o riesgo de lesión.
 - Seguir todas las instrucciones de carga y no cargar la batería ni el aparato fuera del margen de temperatura especificado en las instrucciones. Una carga inadecuada o a temperaturas fuera del margen especificado puede dañar la batería e incrementar el riesgo de incendio.
 - Encargar el servicio exclusivamente a una persona cualificada que use solo piezas de repuesto idénticas. Solo así se podrá mantener la seguridad del producto.
 - No modificar ni intentar reparar el aparato o la batería (si aplicable) de forma distinta a lo que se indique en las instrucciones de uso y conservación.
- 1. PARA TODOS LOS APARATOS DE JARDINERÍA QUE FUNCIONAN CON BATERÍA:**
- No cargar el aparato bajo la lluvia ni en lugares húmedos.
 - No utilizar aparatos que funcionan con batería bajo la lluvia. Quitar o desconectar siempre la batería antes de realizar ajustes, limpiar, reparar o transportar la recortadora de césped.
- 2. PARA TODOS LOS APARATOS QUE FUNCIONAN CON UNA BATERÍA DESMONTABLE:**
- Usar solo el siguiente tipo y tamaño de batería:
 - 18V 1.5Ah P-X-C batería Li-Ion
 - 18V 2.0Ah P-X-C batería Li-Ion
 - 18V 2.6Ah P-X-C Plus batería Li-Ion
 - 18V 3.0Ah P-X-C batería Li-Ion
 - 18V 4.0Ah P-X-C batería Li-Ion
 - 18V 5.2Ah P-X-C Plus batería Li-Ion
 - No tirar la batería al fuego. La célula puede explotar. Consultar la legislación local en materia de eliminación de residuos.
 - No abrir ni cortar la batería. El electrolito que sale de la misma es corrosivo y puede lesionar los ojos o la piel. Puede ser tóxico si se

ingiere.

- Tener cuidado al manipular la batería para no cortocircuitarla con materiales conductivos como anillos, pulseras o llaves. La batería o el conductor se puede sobrecalentar y provocar quemaduras.
- 3. EVITAR UN ARRANQUE INVOLUNTARIO: NO INSERTAR LA BATERÍA MIENTRAS SE TIENE EL DEDO EN EL INTERRUPTOR. ASEGURARSE DE QUE EL INTERRUPTOR ESTÉ EN OFF CUANDO SE INSERTE LA BATERÍA. NORMAS ADICIONALES DE SEGURIDAD PARA RECORTABORDES Y RECORTADORAS DE CÉSPED**
- Mantener los dispositivos de protección en su lugar y en buen estado.
 - Mantener las manos y los pies fuera de la zona de corte.
 - No utilizar cables más pesados de lo recomendado en este manual.
 - No utilizar materiales de cable de otros tipos, como por ejemplo metálicos, de cuerda ni similares.

ADVERTENCIAS GENERALES DE SEGURIDAD PARA LA BATERÍA

- Desechar la batería usada a tiempo y de manera adecuada. A la hora de desechar células o baterías secundarias, mantener separadas las células o baterías de distintos sistemas electromecánicos.
- Mantener la batería fuera del alcance de los niños y en el embalaje original hasta que estén listas para su uso.
- No meterse nunca la batería en la boca. De ingerirse, ponerse de inmediato en contacto con el centro de toxicología local.
- CUIDADO: la batería que se utiliza en este dispositivo puede conllevar riesgo de incendio o quemadura química si se abusa de ella. Sustituir la batería exclusivamente por otra de la marca Einhell o la marca recomendada. El uso de cualquier otra batería puede conllevar riesgo de incendio o explosión.
- ADVERTENCIA: no utilizar una batería o aparato que esté visiblemente dañado.
- ADVERTENCIA: no modificar ni intentar reparar el aparato ni la batería.
- **LAS BATERÍAS SE TIENEN QUE RECICLAR.**
- No cortocircuitar la célula ni la batería. No guardar las células ni baterías de manera descuidada en una caja o en un cajón donde

se puedan cortocircuitar entre sí o por materiales conductivos.

- No someter las células o baterías a choques mecánicos.
- Mantener las células y baterías limpias y secas. Si se ensucian, frotarlas con un paño limpio y seco.
- No mantener las células o baterías secundarias en carga si no se usan.
- Mantener las células y baterías originales. No utilizar un cargador que no se haya facilitado específicamente para usar con el equipo. Las células y baterías secundarias se tienen que cargar antes de su uso. Utilizar siempre el cargador correcto y consultar las instrucciones del fabricante o el manual del equipo para saber cómo cargar correctamente.
- Siempre que sea posible, quitar la batería del equipo cuando no se use.
- Evitar un arranque inesperado. Asegurarse de que el interruptor se encuentre en la posición OFF antes de conectar la batería, alzarla o transportarla. El transporte de aparatos con el dedo en el interruptor o la activación de aparatos energéticos con el interruptor en ON puede provocar accidentes.
- Desconectar la batería del aparato antes de realizar ajustes, cambiar accesorios o almacenar el aparato. Este tipo de medidas de seguridad preventivas sirve para reducir el riesgo de poner en marcha el aparato de manera involuntaria.
- En caso de uso excesivo, es posible que algo de líquido gotee de la batería. Evitar el contacto. En caso de contacto accidental, lavar con agua. Si el líquido entra en contacto con los ojos, buscar atención médica. El líquido que sale de la batería puede causar irritación o quemaduras.
- Encargar el servicio exclusivamente a una persona cualificada que use solo piezas de repuesto idénticas. Solo así se podrá mantener la seguridad del producto.

INSTRUCCIONES DE SEGURIDAD IMPORTANTES PARA EL CARGADOR

ADVERTENCIA: Este producto puede contener plomo, ftalato u otros productos químicos que según el Estado de California pueden provocar cáncer, malformaciones en el feto u otros daños reproductivos. Lavarse las manos después de utilizarlo.

Explicación de la placa de advertencia del aparato (véase fig. 6)

1. Leer el manual de instrucciones de uso antes de la puesta en marcha.
2. No utilizar el aparato cuando llueva o nieve. Proteger el aparato de la humedad.
3. Mantener a terceras personas alejadas de la zona de peligro
4. Ponerse un casco, unas gafas de trabajo y protectores auditivos.
5. Clase de protección III / Tensión baja de protección
6. Almacenamiento de las baterías sólo en espacios secos con una temperatura ambiente de +10°C a +40°C. Guardar las baterías únicamente cuando estén cargadas (mín. al 40%).

2. Descripción del aparato y volumen de entrega

2.1 Descripción del aparato (fig. 1/2)

1. Tubo de soplado
2. Interruptor ON/OFF
3. Unidad de motor
4. Regulador de velocidad
5. Dispositivo de retención
6. Indicador de capacidad de batería
7. Pulsador para indicar la capacidad de batería

2.2 Volumen de entrega

Sirviéndose de la descripción del volumen de entrega, comprobar que el artículo esté completo. Si faltase alguna pieza, dirigirse a nuestro Service Center o a la tienda especializada más cercana en un plazo máximo de 5 días laborales tras la compra del artículo presentando un recibo de compra válido.

- Abrir el embalaje y extraer cuidadosamente el aparato.
- Retirar el material de embalaje, así como los dispositivos de seguridad del embalaje y para el transporte (si existen).
- Comprobar que el volumen de entrega esté completo.
- Comprobar que el aparato y los accesorios no presenten daños ocasionados durante el transporte.
- Si es posible, almacenar el embalaje hasta que transcurra el periodo de garantía.

Peligro!

¡El aparato y el material de embalaje no son un juguete! ¡No permitir que los niños jueguen con bolsas de plástico, láminas y piezas pequeñas! ¡Riesgo de ingestión y asfixia!

- Unidad de motor
- Tubo de soplado
- Manual de instrucciones original

Accesorios disponibles por separado

18V 1.5Ah P-X-C batería Li-Ion
 18V 2.0Ah P-X-C batería Li-Ion
 18V 2.6Ah P-X-C Plus batería Li-Ion
 18V 3.0Ah P-X-C batería Li-Ion
 18V 4.0Ah P-X-C batería Li-Ion
 18V 5.2Ah P-X-C Plus batería Li-Ion
 18V P-X-C charger

Explorar las opciones de batería y cargador en einhellUSA.com


3. Uso adecuado

El soplador de hojas inalámbrico sólo está homologado para hojas y residuos del jardín tales como césped y ramas pequeñas. No está permitido darle otros usos.

Utilizar la máquina sólo en los casos que se indican explícitamente como de uso adecuado. Cualquier otro uso no será adecuado. En caso de uso inadecuado, el fabricante no se hace responsable de daños o lesiones de cualquier tipo; el responsable es el usuario u operario de la máquina.

Tener en consideración que nuestro aparato no está indicado para un uso comercial, industrial o en taller. No asumiremos ningún tipo de garantía cuando se utilice el aparato en zonas industriales, comerciales o talleres, así como actividades similares.

4. Características técnicas

Alimentación de tensión de motor: 18 V 
 Velocidad en vacío n_0 12000 min⁻¹ (rpm)
 Velocidad de aire máx.: 130 mph (210 km/h)
 Velocidades 6
 Clase de protección III
 Peso: 3.3 lb (1.5 kg)

Usar protección para los oídos.

La exposición al ruido puede ser perjudicial para el oído.

¡Reducir la emisión de ruido y las vibraciones al mínimo!

- Emplear sólo aparatos en perfecto estado.
- Realizar el mantenimiento del aparato y limpiarlo con regularidad.
- Adaptar el modo de trabajo al aparato.
- No sobrecargar el aparato.
- En caso necesario dejar que se compruebe el aparato.
- Apagar el aparato cuando no se esté utilizando.
- Llevar guantes.

Cuidado!**Riesgos residuales**

Incluso si esta herramienta se utiliza adecuadamente, siempre existen riesgos residuales.

En función de la estructura y del diseño de esta herramienta eléctrica pueden producirse los siguientes riesgos:

1. Lesiones pulmonares en caso de que no se utilice una mascarilla de protección antipolvo.
2. Lesiones auditivas en caso de que no se utilice una protección para los oídos adecuada.
3. Daños a la salud derivados de las vibraciones de las manos y los brazos si el aparato se utiliza durante un largo periodo tiempo, no se sujeta del modo correcto o si no se realiza un mantenimiento adecuado.

5. Antes de la puesta en marcha**5.1 Montaje tubo de soplado (figura 3)**

Encajar la unidad de motor (pos. 3) y el tubo de soplado (pos. 1).

5.2 Montaje de la batería (fig. 4a/4b)

Presionar el dispositivo de retención de la batería (figura 4a/pos. 5) como se muestra en la figura 4a e introducir la batería en el alojamiento previsto para ello. En cuanto la batería se encuentre en la posición de la figura 4b, asegurarse de que el dispositivo de retención (5) enclave. Para desmontar la batería, realizar los mismos pasos en orden inverso.

5.3 Regulación de velocidad (fig. 1)

El aparato está provisto de un regulador de velocidad electrónico. Para ello, girar el regulador de velocidad (fig. 1/pos. 4) a la posición deseada. Poner el aparato en funcionamiento solo a la velocidad necesaria y no permitir que gire innecesariamente.

6. Manejo

- Para conectarlo, pulsar y mantener pulsado el interruptor ON/OFF (2).
- Para desconectarlo soltar el interruptor ON/OFF.
- Dirigir la corriente de aire hacia delante y moverse lentamente para reunir soplando las hojas o los residuos del jardín o para quitarlos de lugares de difícil acceso.

6.1 Cómo cargar la batería de litio

Las instrucciones correspondientes se encuentran en el manual de instrucciones original del cargador.

6.2 Indicador de capacidad de batería (fig. 3/pos. 2)

Pulsar el interruptor para acceder al indicador de capacidad de la batería (a). El indicador de capacidad de batería (2) le indica el estado de carga de la batería sirviéndose de 3 LEDs.

Los 3 LED están iluminados:

La batería está completamente cargada.

2 o 1 LED están iluminados

La batería dispone de suficiente carga residual.

1 LED parpadea:

La batería está vacía, es preciso cargarla.

Todos los LED parpadean

La batería está muy descargada y defectuosa. Está prohibido emplear y cargar una batería defectuosa.

7. Mantenimiento, limpieza y pedido de piezas de repuesto

Peligro!

Desenchufar la batería antes de realizar trabajos de limpieza.

7.1 Limpieza

- Reducir al máximo posible la suciedad y el polvo en los dispositivos de seguridad, las rendijas de ventilación y la carcasa del motor. Frotar el aparato con un paño limpio o soplarlo con aire comprimido manteniendo la presión baja.
- Se recomienda limpiar el aparato tras cada uso.
- Limpiar el aparato con regularidad con un paño húmedo y un poco de jabón blando. No utilizar productos de limpieza o disolventes ya que se podrían deteriorar las piezas de plástico del aparato. Es preciso tener en cuenta que no entre agua en el interior del aparato. Si entra agua en el aparato eléctrico existirá mayor riesgo de una descarga eléctrica.

7.2 Mantenimiento

- En caso de que se produjeran averías, llevar el aparato a un especialista autorizado o un taller de servicio técnico.
- No hay que realizar el mantenimiento a más piezas en el interior del aparato.

7.3 Pedido de piezas de repuesto: Servicio

1. **Si su herramienta eléctrica necesita servicio, póngase en contacto con un distribuidor autorizado de Einhell USA o llame al centro de atención al cliente de Einhell USA 1-866-EINHELL (1-866-346-4355).** Utilice exclusivamente piezas de repuesto idénticas para las reparaciones. Solo así se podrá mantener la seguridad de la herramienta eléctrica.
2. **Si el cable del cargador está dañado, cámbielo de inmediato para evitar peligros.** Si necesita asistencia, llame al centro de atención al cliente de Einhell USA® al 1-866-EINHELL (1-866-346-4355).

8. Averías

El aparato no funciona:

Comprobar que la batería esté cargada y que el cargador funcione. En caso de que el aparato no funcione a pesar de haber tensión, enviarlo a la dirección indicada del servicio de asistencia técnica.

9. Eliminación y reciclaje

El aparato está protegido por un embalaje para evitar daños producidos por el transporte. Este embalaje es materia prima y, por eso, se puede volver a utilizar o llevar a un punto de reciclaje. El aparato y sus accesorios están compuestos de diversos materiales, como, p. ej., metal y plástico. Los aparatos defectuosos no deben tirarse a la basura doméstica. Para su eliminación adecuada, el aparato debe entregarse a una entidad recolectora prevista para ello. En caso de no conocer ninguna, será preciso informarse en el organismo responsable del municipio.

10. Almacenamiento

Guardar el aparato y sus accesorios en un lugar oscuro, seco, protegido de las heladas e inaccesible para los niños. La temperatura de almacenamiento óptima se encuentra entre los 41°F y 86°F (5 y 30 °C). Guardar la herramienta eléctrica en su embalaje original.

Sólo está permitido copiar la documentación y documentos anexos del producto, o extractos de los mismos, con autorización expresa de iSC GmbH.

Nos reservamos el derecho a realizar modificaciones técnicas

Einhell

LA PROMESA DE EINHELL AL CLIENTE

LO PRIMERO ES LA CALIDAD. El nombre de Einhell es sinónimo de herramientas de alto rendimiento y manufactura europea de alta calidad. Desde destornilladores inalámbricos hasta cortacéspedes eléctricos, Einhell USA diseña y desarrolla innovadoras herramientas para jardinería y eléctricas de mano para amantes del DIY, jardineros aficionados y manitas.

Los equipos de aseguramiento de la calidad y de ingenieros de Einhell USA garantizan que los productos se sometan a las pruebas más exigentes en materia de calidad y rendimiento. Sabemos que incluso las herramientas más resistentes pueden sufrir complicaciones. Si nota alguna anomalía en su producto, le aseguramos que haremos todo lo posible para devolverle una herramienta capaz de trabajar satisfaciendo sus exigencias.

REGISTRO DEL PRODUCTO:

Einhell le recomienda encarecidamente que registre su compra. Puede registrarla online en **EinhellUSA.com**. En caso de no hacerlo, el producto comprado no perderá los derechos de garantía. No obstante, registrando su compra permite que Einhell le preste un mejor servicio de atención al cliente cuando lo necesite.

¿QUÉ CUBRE?

Einhell garantiza al propietario que, si esta máquina falla en un plazo de 2 años a partir de la fecha de compra debido a un defecto en el material, en la manufactura o como resultado de un desgaste normal del uso doméstico ordinario, Einhell le enviará una pieza o un producto de repuesto, según se necesite, de manera gratuita y sin gastos de envío al comprador original. Si, a criterio exclusivo de Einhell, la máquina averiada no se puede reparar con una pieza, Einhell decidirá si a) envía una nueva máquina de manera gratuita y sin gastos de envío, o b) reembolsa al propietario el importe completo de la compra.

¿QUIÉN PUEDE OBTENER COBERTURA DE GARANTÍA?

Einhell hace entrega de la presente garantía al propietario de esta máquina (una "máquina" consiste en un producto alimentado por un motor) para un uso exclusivamente doméstico y privado. Esta garantía está limitada a treinta (30) días a partir de la fecha de compra original de cualquier producto de la marca EINHELL que se use para fines comerciales o cualquier otro fin que produzca beneficios. Si la máquina cambia de propietario durante el periodo de cobertura, actualice la información del propietario de la máquina en **EinhellUSA.com**

¿QUÉ NO CUBRE?

Esta garantía no cubre ningún producto que haya sufrido un uso indebido, negligencia, o accidente, o que haya sido operado de forma contraria a las instrucciones de uso especificadas en el manual de servicio. La presente

garantía no cubre cambios estéticos que no afecten al funcionamiento.

Esta garantía solo será válida si la máquina se usa y mantiene conforme a las instrucciones, advertencias e instrucciones de seguridad indicadas en el manual de servicio. Einhell no se hará responsable del coste de ninguna reparación de garantía no autorizada. Esta garantía no cubre ningún costo o gasto incurrido por el comprador al proporcionar equipos sustitutos o servicio durante períodos razonables de avería o no utilización de este producto, mientras se espera por una pieza de repuesto o nuevo producto conforme a esta garantía.

La garantía no cubre piezas de desgaste como correas, brocas, cadenas ni dientes, que se pueden comprar en **EinhellUSA.com** o llamando al **1-866-EINHELL (1-866-346-4355)**. Las baterías están completamente cubiertas durante 90 días a partir de la fecha de compra.

La reparación, sustitución o el reembolso del precio de compra constituyen compensaciones exclusivas del comprador y única responsabilidad de Einhell conforme a esta garantía. Ningún empleado ni representante de Einhell está autorizado a realizar ninguna garantía adicional ni modificación alguna a la presente garantía que pueda ser vinculante para Einhell. Por consiguiente, el comprador no deberá ampararse en ninguna declaración adicional hecha por ningún empleado o representante de Einhell. Einhell no se hace responsable en ningún caso, ya se base en el contrato, indemnización, garantía, agravio (incluyendo negligencia), responsabilidad absoluta o de otro tipo, de ningún daño especial, indirecto, accidental o consecuentes incluyendo, sin limitaciones, la pérdida de beneficios o ingresos.

Algunos estados no permiten límites en las garantías. En dichos estados, no se aplicarán las limitaciones expuestas anteriormente.

Fuera de EE. UU. y Canadá se aplicarán otras garantías.

Sommaire

1. Consignes de sécurité
2. Description de l'appareil et contenu de l'emballage
3. Utilisation conforme
4. Caractéristiques techniques
5. Avant la mise en service
6. Fonctionnement
7. Nettoyage, entretien et commande de pièces de rechange
8. Défaillances
9. Élimination et revalorisation
10. Conservation

Danger !

Certaines mesures de sécurité doivent être respectées pendant l'utilisation des appareils pour empêcher les blessures et les dommages. Par conséquent, lisez attentivement le présent mode d'emploi / les consignes de sécurité. Conservez-les bien pour avoir les informations toujours à la portée de la main. Si vous devez passer l'appareil à d'autres personnes, veuillez leur remettre également le présent mode d'emploi / les consignes de sécurité. Nous ne sommes pas tenus des accidents ou dommages survenus à cause de non-respect du présent mode d'emploi et des consignes de sécurité.

1. Consignes de sécurité**Lisez toutes les instructions**

AVERTISSEMENT : Pendant l'utilisation des appareils électriques de jardinage, respectez toujours les mesures de sécurité pour réduire le risque d'incendie, de choc électrique et de blessures, y compris ce qui suit :

POUR TOUS LES APPAREILS

- Évitez les environnements dangereux – n'utilisez les appareils dans des endroits humides ou mouillés.
- Ne les utilisez pas sous la pluie.
- Éloignez les enfants, toutes les personnes et les animaux doivent être tenus à distance de la zone de travail.
- Habillez-vous correctement – ne portez pas de vêtements lâches ou des bijoux. Ils peuvent être happés par les pièces mobiles. Pour les travaux à l'extérieur, il est recommandé de porter des vêtements de protection, d'utiliser des gants de travail, de porter des pantalons longs, une chemise à manches longues et des chaussures de sécurité. Portez un couvre-chef pour recouvrir des cheveux longs.
- Utilisez des lunettes de sécurité – utilisez toujours un masque facial ou anti-poussière si l'endroit où vous travaillez est poussiéreux. Le but des règles de sécurité consiste à attirer votre attention sur les dangers potentiels. Les symboles de sécurité et leurs explications exigent votre attention et votre compréhension. Les avertissements de sécurité ne suppriment pas le risque à eux seuls. Les instructions ou avertissements qu'ils donnent ne remplacent pas les mesures adéquates de prévention d'accidents.
- Utilisez l'appareil approprié – n'utilisez pas l'appareil dans un autre but que celui pour lequel il a été conçu.
- Ne forcez pas l'appareil – il fonctionnera mieux et avec une moindre probabilité d'un risque ou d'une blessure à la vitesse pour laquelle il a été conçu.
- Ne vous penchez pas trop – gardez une bonne position et l'équilibre à tout instant.
- Restez vigilant. Usez du bon sens. N'utilisez pas l'appareil si vous êtes fatigué ou si vous vous trouvez sous l'emprise de drogues, d'alcool ou de médicaments.
- Si vous n'utilisez pas l'appareil, rangez-le dans un local sec inaccessible aux enfants.
- Entretenez l'appareil avec soin. Suivez les instructions de lubrification et de remplacement des accessoires. Gardez les poignées sèches, propres et exemptes d'huile et de graisse.
- Vérifiez les pièces endommagées. Avant d'utiliser l'appareil, assurez-vous que les dispositifs de sécurité sont intacts. N'utilisez jamais un outil sans son dispositif de sécurité. Vérifiez l'alignement de pièces mobiles, le coincement de pièces mobiles.
- Examinez les pièces cassées ou défectueuses qui peuvent affecter le fonctionnement en toute sécurité de votre outil. Une protection ou une autre pièce endommagée doit être correctement réparée ou remplacée par un centre de service autorisé, sauf indication contraire dans le présent mode d'emploi.
- Rechargez uniquement avec un chargeur spécifié par le fabricant. Un chargeur qui convient pour un type de bloc de batterie peut créer un risque d'incendie s'il est utilisé avec un autre bloc de batterie.
- Utilisez les appareils uniquement avec les blocs de batterie spécifiquement désignés. L'utilisation de tout autre bloc de batterie peut créer un risque de blessure et d'incendie.
- Lorsque le bloc de batterie n'est pas utilisé, conservez-le à l'écart d'autres objets métalliques, comme les trombones, les pièces de monnaie, les clés, les clous, les vis ou autres petits objets métalliques qui pourraient créer une connexion entre les bornes. La mise en court-circuit des bornes de batteries peut causer des brûlures ou un incendie.
- Dans des conditions abusives, un liquide peut sortir de la batterie, évitez le contact. En cas de contact accidentel, rincez avec de l'eau. En cas de contact du liquide avec les yeux,

consultez un médecin. Le liquide sorti de la batterie peut causer des irritations ou des brûlures. (Ce conseil est considéré comme juste pour les types de piles conventionnels de NiMh, NiCd, plomb-acide et lithium-ion. Si ce conseil est inapproprié pour une conception de cellule différentes de celle-ci, le conseil judicieux peut être appliqué.)

- N'utilisez pas un bloc de batterie ou un appareil endommagés ou modifiés. Les batteries endommagées ou modifiées peuvent agir de manière imprévisible et donner lieu à un incendie, une explosion ou un risque de blessure.
 - Suivre toutes les instructions de charge et ne pas charger le bloc de batterie ou l'appareil en dehors de la plage de température spécifiée dans les instructions. Un mauvais chargement ou un chargement à des températures en dehors de la plage spécifiée peut endommager la batterie et augmenter les risques d'incendie.
 - Confiez le service à un réparateur qualifié qui utilise uniquement les pièces de rechange identiques. Cela permettra de maintenir la sécurité du produit.
 - Ne modifiez pas ni n'essayez pas de réparer l'appareil ou le bloc de batterie (si applicable), sauf exception indiquée dans les instructions d'utilisation et d'entretien.
- 1. POUR TOUS LES APPAREILS DE JARDINAGE SANS FIL**
- Ne chargez pas l'appareil sous la pluie ou dans des locaux humides.
 - N'utilisez pas les appareils à batterie sous la pluie. Retirez ou déconnectez toujours le bloc de batterie avant l'ajustement, le nettoyage, le service ou le transport du coupe-gazon.
- 2. POUR TOUS LES PRODUITS SANS FIL AVEC UNE BATTERIE AMOVIBLE OU SÉPARABLE :**
- Utilisez uniquement la batterie de type et de taille suivants :
 18V 1,5Ah P-X-C batterie Li-ion
 18V 2,0Ah P-X-C batterie Li-ion
 18V 2,6Ah P-X-C Plus batterie Li-ion
 18V 3,0Ah P-X-C batterie Li-ion
 18V 4,0Ah P-X-C batterie Li-ion
 18V 5,2Ah P-X-C Plus batterie Li-ion
 - Ne jetez pas la batterie dans le feu. La cellule peut exploser. Consultez les règlements locaux pour connaître les instructions d'élimination spécifiques possibles.
- N'ouvrez ni n'abîmez la batterie. L'électrolyte libéré est corrosif et peut être dangereux pour les yeux ou la peau. Il peut être toxique s'il est avalé.
 - Manipulez la batterie avec précaution afin de ne pas la court-circuiter avec des matériaux conducteurs, tels que les bagues, les bracelets et les clés. La batterie ou le conducteur peuvent surchauffer et causer des brûlures.
- 3. ÉVITEZ UN DÉMARRAGE INTEMPESTIF – N'INSÉREZ PAS LA BATTERIE ALORS QUE VOTRE DOIGT EST SUR L'INTERRUPTEUR. ASSUREZ-VOUS QUE L'INTERRUPTEUR EST SUR L'ARRÊT EN INSÉRANT LA BATTERIE. RÈGLES DE SÉCURITÉ SUPPLÉMENTAIRES POUR LES COUPE-HERBE ET LES COUPE-BORDURES**
- Gardez les protections en place et en bon état de marche.
 - Gardez les mains et les pieds hors de la zone de coupe.
 - N'utilisez pas de lignes plus lourdes que celles qui sont recommandées dans le présent mode d'emploi.
 - N'utilisez pas de matériaux de ligne d'autres types – par exemple, les fils métalliques, les cordes, etc.
- AVERTISSEMENTS DE SÉCURITÉ GÉNÉRAUX POUR LE BLOC DE BATTERIE**
- Éliminez la batterie usée vite et promptement. Lors de l'élimination des piles secondaires ou des batteries, gardez les piles ou les batteries de différents systèmes électrochimiques séparément les unes des autres.
 - Gardez la batterie hors de portée des enfants dans l'emballage d'origine jusqu'à son utilisation.
 - Ne mettez jamais les batteries dans la bouche. Si elles sont avalées, contactez immédiatement le centre antipoison local.
 - PRUDENCE – La batterie utilisée dans cet appareil peut présenter un risque d'incendie ou de brûlure chimique en cas de mauvaise manipulation. Remplacez uniquement la batterie de marque principale Einhell / gazon. L'utilisation d'une autre batterie peut présenter un risque d'incendie ou d'explosion.
 - AVERTISSEMENT : N'utilisez pas un bloc de batterie ou un appareil visiblement endommagé.
 - AVERTISSEMENT : Ne modifiez ni n'essayez de réparer l'appareil ou le bloc de batterie.

- **LES BATTERIES DOIVENT ÊTRE RECYCLÉES.**
- Ne court-circuitez une cellule ou une batterie. Ne conservez pas les piles ou les batteries au hasard dans une boîte ou un tiroir ou elles peuvent court-circuiter entre elles ou être court-circuitées par les matériaux conducteurs.
- N'exposez pas les piles ou les batteries aux chocs mécaniques.
- Gardez les piles et les batteries dans un endroit propre et sec. Essuyez les bornes des piles ou des batteries avec un linge propre et sec si elles deviennent sales.
- Ne gardez pas les piles et les batteries chargées si vous ne les utilisez pas.
- Conservez la pile et la batterie d'origine. N'utilisez pas d'autres chargeurs que ceux qui sont spécifiquement fournies pour être utilisés avec l'équipement. Les piles et les batteries secondaires doivent être cherchées avant l'utilisation. Utilisez toujours le chargeur correct et référez-vous aux instructions du fabricant ou au mode d'emploi de l'équipement pour consulter les instructions de chargement correctes.
- Si possible, retirez la batterie de l'équipement lorsque vous ne l'utilisez pas.
- Empêchez tout démarrage non intentionnel. Assurez-vous que le bouton marche-arrêt est en position OFF avant de connecter le bloc de batterie, de prendre et de transporter l'outil. Le transport de l'appareil avec le doigt sur le bouton marche-arrêt ou la mise sous tension des appareils électriques dont le bouton marche-arrêt est en position ON peuvent causer des accidents.
- Déconnectez le bloc de batterie de l'appareil avant de procéder aux ajustements, de remplacer les accessoires ou de ranger l'appareil. De telles mesures préventives réduisent le risque de démarrage intempestif de l'appareil.
- Dans des conditions abusives, un liquide peut sortir de la batterie, évitez le contact. En cas de contact accidentel, rincez avec de l'eau. En cas de contact du liquide avec les yeux, consultez un médecin. Le liquide sorti de la batterie peut causer des irritations ou des brûlures.
- Confiez le service à un réparateur qualifié qui utilise uniquement les pièces de rechange identiques. Cela permettra de maintenir la sécurité du produit.

CONSIGNES DE SÉCURITÉ IMPORTANTES POUR LE CHARGEUR

AVERTISSEMENT : Ce produit peut contenir du plomb, du phtalate ou autres produits chimiques reconnus par l'État de Californie comme cause de cancer, d'anomalies congénitales et de lésions de l'appareil reproducteur. Veuillez laver vos mains après l'utilisation.

Explication de la plaque signalétique sur l'appareil (voir la fig. 6)

1. Lire le mode d'emploi avant la mise en service.
2. Ne pas utiliser l'appareil sous la pluie et sous la neige. Protéger l'appareil contre l'humidité.
3. Éloigner les tiers de la zone de danger.
4. Porter la protection visuelle et acoustique.
5. Classe de protection III / basse tension de protection
6. L'entreposage de la batterie uniquement dans des locaux secs à une température ambiante entre +10 °C et 40 °C. Entreposer la batterie uniquement à l'état chargé (charge min. 40 %).

2. Description de l'appareil et contenu de l'emballage

2.1 Description de l'appareil (fig. 1/2)

1. Tuyère de soufflage
2. Interrupteur de marche / arrêt
3. Unité de moteur
4. Régulateur de vitesse de rotation
5. Touche d'enclenchement
6. Témoin de charge de la batterie
7. Bouton de témoin de charge de la batterie

2.2 Contenu d'emballage

Veuillez contrôler l'intégralité de l'article au moyen du contenu d'emballage décrit. En cas de pièces manquantes, veuillez contacter notre centre de service à la clientèle ou le point de vente où vous avez acheté l'appareil au plus tard dans les 5 jours ouvrables à compter de l'achat de l'article en présentant un ticket de caisse valable.

- Ouvrez l'emballage et retirez-en prudemment l'appareil.
- Enlevez le matériau d'emballage ainsi que les sécurités d'emballage et de transport (le cas échéant).
- Contrôlez l'intégralité du contenu d'emballage.
- Vérifiez si l'appareil et les accessoires pré-

- sentent des dommages dus au transport.
- Si possible, conservez l'emballage jusqu'à l'expiration de la durée de garantie.

Danger !

L'appareil et le matériau d'emballage ne sont pas un jouet ! Les enfants ne doivent pas jouer avec des sachets en plastique, des films ou de petites pièces ! Il existe le risque d'ingestion et de suffocation !

- Unité de moteur
- Tuyère de soufflage
- Mode d'emploi d'origine

Accessoires disponibles séparément

18V 1,5Ah P-X-C batterie Li-ion
 18V 2,0Ah P-X-C batterie Li-ion
 18V 2,6Ah P-X-C Plus batterie Li-ion
 18V 3,0Ah P-X-C batterie Li-ion
 18V 4,0Ah P-X-C batterie Li-ion
 18V 5,2Ah P-X-C Plus batterie Li-ion
 18V P-X-C chargeur

Explorez les options de batterie + chargeur sur einhellUSA.com


3. Utilisation conforme

La souffleuse à feuilles sans fil n'est autorisée que pour souffler les débris de jardin, comme l'herbe et les brindilles. Toute autre utilisation est interdite.

La machine ne doit être utilisée que conformément à sa destination. Toute autre utilisation dépassant ce cadre n'est pas conforme. C'est l'utilisateur / l'opérateur qui est responsable de tous les dommages ou blessures de toute nature en résultant et non pas le fabricant.

Veillez noter que nos appareils n'ont pas été conçus pour une utilisation commerciale, artisanale ou industrielle. Nous n'accordons aucune garantie si l'appareil est utilisé dans des entreprises commerciales, artisanales ou industrielles ou pour des activités équivalentes.

4. Caractéristiques techniques

Alimentation électrique du moteur: 18 V 
 Vitesse à vide n_0 12 000 tr./min
 Vitesse de l'air max.: 130 mph (210 km/h)
 Nombre de vitesses 6
 Classe de protection III
 Poids: 1,5 kg (3,3 lb)

Portez une protection auditive.

Le bruit peut provoquer une perte d'acuité auditive.

Limitez à un minimum l'émission de bruit et les vibrations !

- Utilisez uniquement des appareils irréprochables.
- Entretenez et nettoyez l'appareil régulièrement.
- Adaptez votre méthode de travail à l'appareil.
- Ne surchargez pas l'appareil.
- Faites examiner l'appareil le cas échéant.
- Éteignez l'appareil lorsqu'il n'est plus utilisé.
- Portez des gants.

Attention !**Risques résiduels**

Il existe toujours des risques même si vous vous servez correctement de cet outil électrique. Les risques suivants peuvent se produire en rapport avec la structure et la réalisation de cet outil électrique :

1. Lésions pulmonaires, si vous ne portez pas de masque anti-poussières approprié.
2. Lésions auditives, si vous ne portez pas de protection auditive appropriée.
3. Dommages pour la santé résultant des vibrations mains-bras, si votre appareil est utilisé d'une manière prolongée ou tenu et entretenu de manière incorrecte.

5. Avant la mise en service

5.1 Montage de la tuyère de soufflage (fig. 3)

Assembler l'unité de moteur (pos. 3) et tuyère de soufflage (pos. 1).

5.2 Montage de la batterie (fig. 4a / 4b)

Appuyez sur la touche d'enclenchement (image 4a / pos. 5) de la batterie, comme il est montré dans la fig. 4a, et poussez la batterie dans le compartiment prévu à cette fin. Dès que la batterie est en position montrée à la figure 4b, prendre garde à l'enclenchement de la touche de verrouillage (5) ! Le démontage de la batterie s'effectue dans l'ordre inverse !

5.3 Réglage de vitesse (fig. 1)

L'appareil est équipé d'un régulateur de vitesse électronique. Tourner le régulateur de vitesse (fig. 1 / pos. 4) dans la position souhaitée. N'utilisez l'appareil à la vitesse nécessaire et ne le faites pas tourner à grande vitesse inutilement.

6. Fonctionnement

- Pour allumer, appuyer sur l'interrupteur de marche / arrêt (2) et le garder enfoncé.
- Pour éteindre, relâcher l'interrupteur de marche / arrêt
- Dirigez le flux d'air vers l'avant et déplacez-vous lentement pour souffler les feuilles ou les débris de jardin ou de les enlever des endroits difficilement accessibles.

6.1 Chargement de la batterie LI

Vous trouverez les instructions correspondantes dans le mode d'emploi d'origine de votre chargeur.

6.2 Affichage de la capacité de la batterie (image 3/Pos. 2)

Appuyez sur l'interrupteur de l'affichage de la capacité de la batterie (a). L'affichage de la capacité de la batterie (2) signale l'état de charge de la batterie au moyen de 3 LEDs.

Les 3 LEDs s'allument:

La batterie est complètement chargée.

2 ou 1 LED(s) s'allume(nt):

La batterie a une charge résiduelle suffisante.

1 LED clignote:

La batterie est déchargée, chargez la batterie.

Toutes les LEDs clignotent:

La batterie a été profondément déchargée et est défectueuse. Une batterie défectueuse ne peut plus être utilisée et chargée!

7. Nettoyage, entretien et commande de pièces de rechange

Danger !

Avant tout travail de nettoyage, retirez la batterie de l'appareil.

7.1 Nettoyage

- Maintenez les dispositifs de protection, les fentes d'aération et les carters de moteur aussi exempt de poussières et de saletés que possible. Frottez l'appareil avec un linge propre et nettoyez-le à l'air comprimé à basse pression.
- Nous recommandons de nettoyer l'appareil directement après chaque utilisation.
- Nettoyez l'appareil régulièrement avec un linge humide et un peu de savon noir. N'utilisez pas de détergeant ni de solvants ; ils peuvent détériorer les éléments en plastique de l'appareil. Veillez à ce que l'eau ne puisse pas pénétrer à l'intérieur de l'appareil. La pénétration de l'eau dans un appareil électrique augmente le risque d'une électrocution.

7.2 Entretien

- En cas de dysfonctionnements éventuels, faire examiner l'appareil uniquement par un spécialiste autorisé ou par un atelier de service d'après-vente.
- L'intérieur de l'appareil ne contient pas de pièces exigeant un entretien.

7.3 Commande des pièces de rechange : Service

1. **Si votre outil électrique doit être réparé, veuillez contacter un distributeur autorisé d'Einhell USA ou appeler le centre de service à la clientèle d'Einhell USA au numéro 1-866-EINHELL (1-866-346-4355).** Seules les pièces de rechange identiques doivent être utilisées pour les réparations. Cela permet de garantir la sécurité de l'outil électrique.
2. **Si le câble du chargeur est endommagé, il doit être immédiatement remplacé pour empêcher un accident.** Pour obtenir de l'assistance, veuillez contacter le centre de service à la clientèle d'Einhell USA® au numéro 1-866-EINHELL (1-866-346-4355).

Une réimpression ou toute autre reproduction de la documentation et des documents accompagnant les produits, même par extraits, ne sont autorisées qu'avec accord exprès d'ISC GmbH.

Sous réserve des modifications techniques.

8. Défaillances

L'appareil ne marche pas :

Vérifiez si la batterie est chargée et si le chargeur fonctionne. Si l'appareil ne fonctionne pas étant sous tension, veuillez l'envoyer à l'adresse du service à la clientèle indiqué.

9. Élimination et revalorisation

L'appareil se trouve dans un emballage pour empêcher les dommages dus au transport. Cet emballage constitue une matière première et peut par conséquent être réutilisé ou peut être recyclé. L'appareil et ses accessoires sont fabriqués à partir de différents produits, comme p. ex. le métal et les matières plastiques. Ne jetez pas les appareils défectueux dans les déchets ménagers. Pour être éliminé de façon appropriée, l'appareil devrait être déposé à un lieu de collecte approprié. Si vous ne connaissez aucun lieu de collecte, informez-vous auprès de l'administration municipale.

10. Conservation

Conservez l'appareil et ses accessoires dans un endroit sombre, sec et exempt de gel ainsi que hors la portée des enfants. La température de conservation optimale se situe entre 41 °F et 86 °F (5 °C et 30 °C). Conservez l'outil électrique dans l'emballage d'origine.

Einhell

PROMESSE D'EINHELL À SES CLIENTS

LA QUALITÉ PRIME. Le nom d'Einhell est synonyme des outils performants et de la fabrication européenne de haute qualité. Des perceuses sans fil aux tondeuses à gazon électriques, Einhell USA conçoit et développe des outils électriques et de jardinage à main de pointe pour les bricoleurs, jardiniers amateurs et réparateurs.

Les équipes d'assurance de la qualité et d'ingénieurs d'Einhell USA garantissent que les produits subissent de sévères tests de qualité et de performance. Nous savons que parfois les outils solides traversent les époques dures. Si jamais vous avez un problème avec votre produit, soyez sûr que nous ferons tout notre possible pour vous rendre un outil prêt à travailler aussi dur que vous.

ENREGISTREMENT DU PRODUIT :

Einhell vous encourage vivement d'enregistrer votre achat. Vous pouvez enregistrer en ligne sur **EinhellUSA.com**. Si vous n'enregistrez pas le produit que vous avez acheté, cela n'affectera pas vos droits de garantie. Toutefois, si vous enregistrez votre achat, Einhell pourra mieux vous servir pour tous vos besoins de client.

QU'EST-CE QUI EST COUVERT ?

Einhell garantit au propriétaire que si cet appareil a un problème pendant une période de 2 ans à partir de la date d'achat à cause d'un défaut de matériau ou de fabrication ou en raison de l'usure normale au cours d'un usage domestique normal, Einhell enverra une pièce ou un produit de rechange, au besoin, gratuitement et sans frais de port à l'acheteur initial. Si, à la seule discrétion d'Einhell, l'appareil défectueux ne peut pas être réparé avec une pièce, Einhell soit (A) enverra gratuitement et sans frais de port un nouvel appareil, soit (B) remboursera au propriétaire la totalité du prix d'achat.

QUI PEUT SOLLICITER LA COUVERTURE DE GARANTIE ?

Cette garantie est consentie par Einhell au propriétaire de cet appareil (un « appareil » consiste en un produit alimenté par un moteur) pour un usage domestique personnel exclusivement. Cette garantie est limitée aux trente (30) jours à compter de l'achat initial de tout produit de marque EINHELL utilisé à des fins commerciales ou à d'autres fins lucratives. Si la propriété de cet appareil change pendant la période couverte, veuillez mettre à jour l'information relative au propriétaire de l'appareil sur **EinhellUSA.com**

QU'EST-CE QUI N'EST PAS COUVERT ?

Cette garantie ne couvre pas les produits ayant fait l'objet d'un usage abusif ou négligent, d'un manque d'entretien, ayant été impliqués dans un accident ou employés d'une façon contraire au mode d'emploi, comme c'est spécifié dans le guide d'utilisation. Cette

garantie ne couvre pas les modifications superficielles n'affectant pas la performance.

Cette garantie n'est valable que si l'appareil est utilisé et entretenu conformément aux instructions, avertissements et mises en garde figurant dans le manuel du propriétaire. Einhell ne sera pas responsable du coût des réparations de garantie non autorisées. Cette garantie ne couvre pas les coûts et dépenses engagés par l'acheteur pour se procurer un équipement ou un service de substitution pendant les périodes raisonnables de dysfonctionnement ou de non-utilisation de ce produit dans l'attente d'une pièce ou d'une unité de rechange en vertu de cette garantie.

Les pièces d'usure, comme les courroies, les vis sans fin, les chaînes et les dents, ne sont pas couvertes par cette garantie et peuvent être achetées sur **EinhellUSA.com** ou en appelant au numéro **1-866-EINHELL (1-866-346-4355)**. Les batteries sont entièrement couvertes pendant 90 jours à partir de la date d'achat.

La réparation, le remplacement et le remboursement du prix d'achat sont les seuls moyens de l'acheteur et la seule responsabilité d'Einhell au titre de cette garantie. Les employés et les représentants d'Einhell ne sont pas autorisés à concéder une garantie supplémentaire ni à apporter une modification de cette garantie susceptible d'engager Einhell. Par conséquent, l'acheteur ne devrait pas se fier aux déclarations supplémentaires faites par un employé ou un représentant d'Einhell. En aucun cas, sur la base d'un contrat, d'une indemnisation, d'une garantie, d'un tort (y compris la négligence), d'une responsabilité sans faute, etc., Einhell ne sera responsable des dommages spécifiques, indirects, accessoires ou consécutifs, y compris mais sans s'y limiter la perte de bénéfices ou de revenus.

Certains États n'autorisent pas de limitations aux garanties. Dans tels États, les limitations ci-dessus pourraient ne pas s'appliquer à vous.

D'autres garanties peuvent s'appliquer en dehors des États-Unis et le Canada.



Two horizontal lines are positioned to the right of the pencil's tip, serving as a starting point for writing. Below these, there are 25 additional horizontal lines, evenly spaced, extending across the width of the page. These lines are intended for writing or drawing.



A series of horizontal lines for writing, starting from the top right of the page and extending downwards. The first line is partially obscured by the pencil illustration.

Einhell

www.EinhellUSA.com

EH 12/2018 (01)