



Hedge Trimmer MHEC 621

Art.-No. **34.035.77**

Bar code: **4006825510157**

Sales unit: **1 pc**

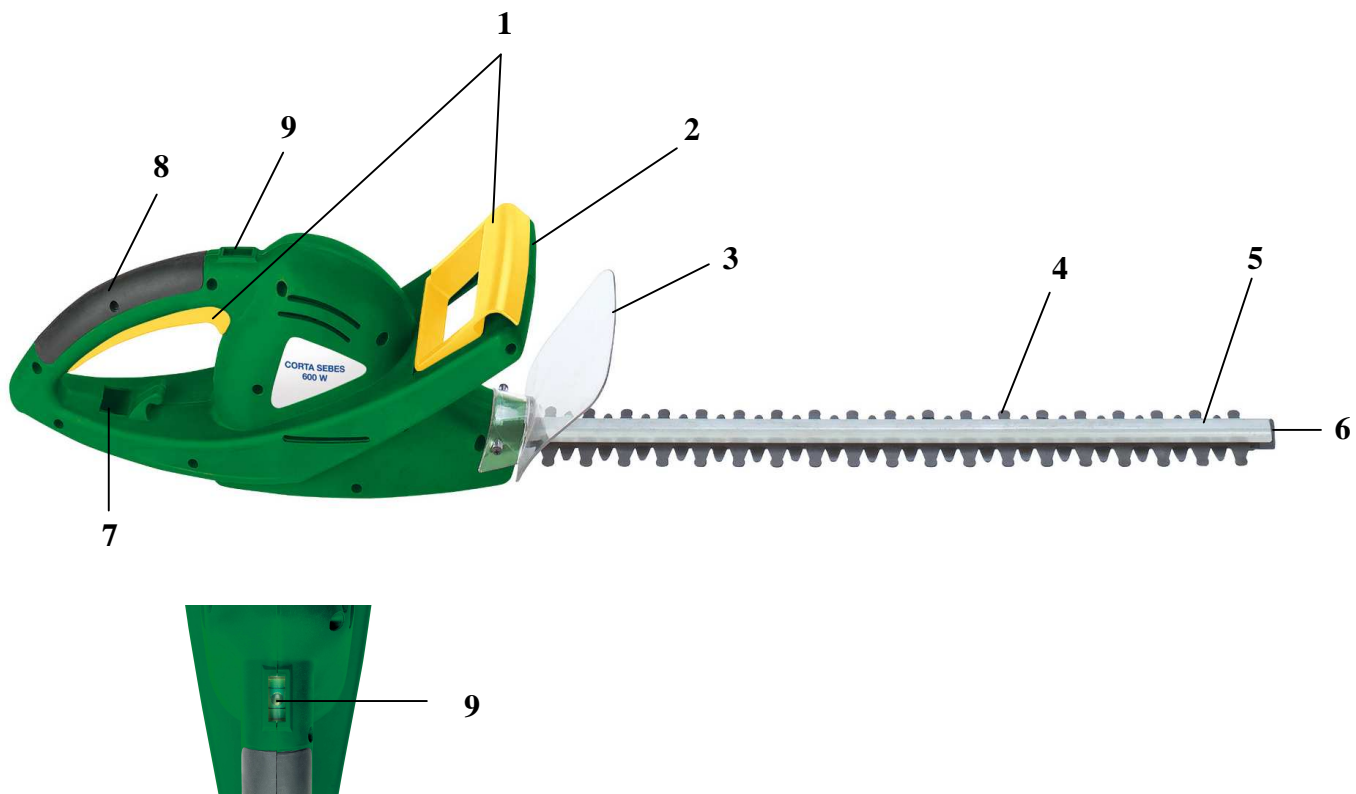
A practical helper to neatly cut even the thickest hedges. Silent, safe and environmentally friendly in its use: The driving gear provides high cutting efficiency and an effective cut-off in case overload. The counter rotating, double bladed cutting knives are made of precision sharpened special steel. The ON/OFF (dead man's) switch and a large hand protection shield warrant a safe operation. Supplied with a sturdy knife protection cover.

Features:

- ON/OFF-dead man's safety switch (1)
- Additional handle for optimal handling (2)
- Large hand protection shield (3)
- Counter rotating, double safety blades made of precise sharpened special steel (4)
- Protection sleeve (not illustrated)
- Aluminium knife cover (5)
- Impact protection (6)
- Cable strain relief (7)
- Rear handle with softgrip-inlet (8)
- Integrated level for precise cuts (9)
- **Two-hand safety switch with blade stop in less than 0,5 sec.**
- **Metal gearing for long life**

Technical data:

- | | |
|-------------------------|---------------------|
| - Mains: | 230 V ~ 50 Hz |
| - Power: | 600 watts |
| - Cutting length: | 53 cm |
| - Sword length: | 59 cm |
| - Teeth spacing: | 20 mm |
| - Cutting strength max: | 16 mm |
| - Cuts per minute: | 3200 |
| - Weight: | 4 kg |
| - Packing dimensions: | 1035 x 150 x 200 mm |



Abbildungen können nicht im Serien-Lieferumfang enthaltenes Zubehör darstellen / Illustrations can contain accessories, which are not included in standard extent of delivery.

Abbildungen ähnlich, produktionsbedingte Abweichung vorbehalten / Illustration similar (in design), production-wise modifications reserved

File: G:\Webshop\T-Produktbeschreibung\60\Originale_Englisch_PA04\3403577_01015.doc

Erstelldatum / create date: 26.04.2005 10:25

Aktualisiert / up dated: 26.04.2005