

## Wet and Dry Vacuum Cleaner HPS 30 A INOX

Art.-No.: **23.420.53**

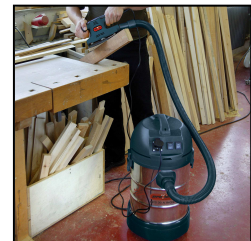
bar code: 4006825507942

sales unit: 1 pc

Wet and dry cleaner **with integrated power socket for automatically cleaning** (5 sec. release delay), 1.5 m flexible tube system Ø 36 mm, 30 litre stainless steel vessel, a lot of accessories, 4 castors, carrying handle, 4 m mains cable.

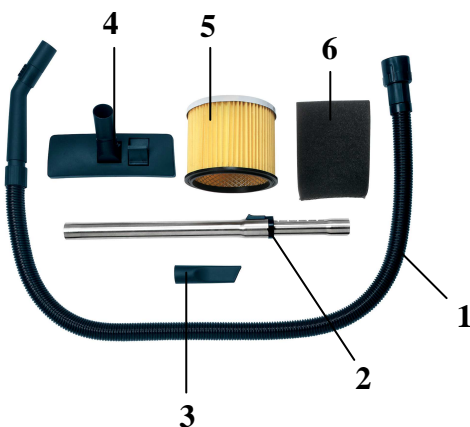
### Technical data:

- Mains: 230 V ~ 50 Hz
- Input power: 1400 watts + 2000 watts (for plug)
- Water gage: 1500 mm
- Weight: 7.5 kg
- Verpackungsmaße: 355 x 355x 645 mm



### Standard accessory:

- 1 suction hose Ø 36 mm (1)
- 1 telescopic tube Ø 36 mm (2)
- 1 groove nozzle (3)
- 1 combi nozzle (4)
- 1 long-term filter (5)
- 1 foam filter (6)
- **1 integrated power socket (7)**



### As special accessory available:

- |                  |                            |
|------------------|----------------------------|
| Long-term filter | Art.-No.: <b>23.511.11</b> |
|                  | bar code: 4006825236279    |
| Foam filter      | Art.-No.: <b>23.511.30</b> |
|                  | bar code: 4006825236132    |