



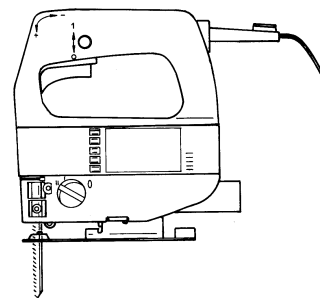
Ⓒ Operating Instructions
electronic pendulum jig saw

**POWER
CRAFT**



CE

Art.-No.: 43.206.02

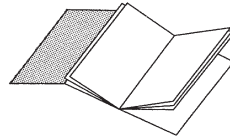


EPJ 500-E



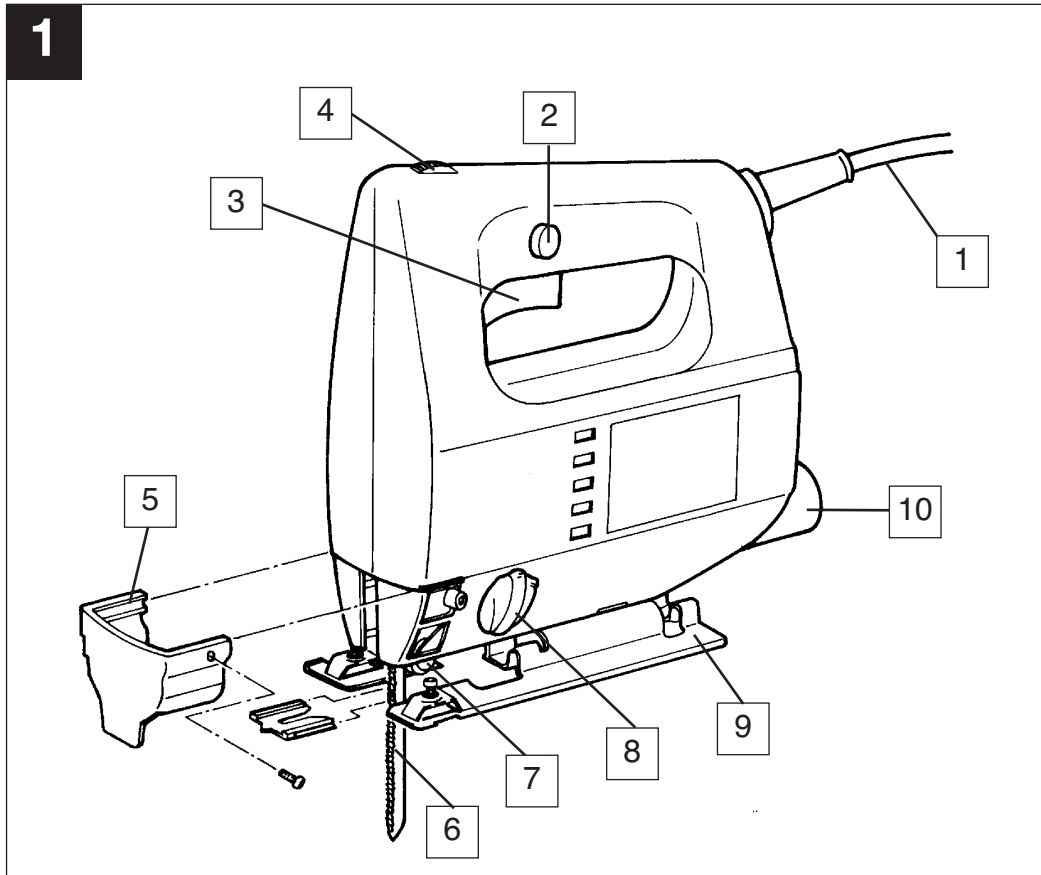


Please read the operating instructions carefully before assembling and using



Ⓞ Please pull out pages 2-3





GB**Description**

- 1 Power cable
- 2 Locking button
- 3 On/Off switch
- 4 Knurled screw for regulating the speed
- 5 Inspection guard
- 6 Saw blade
- 7 Guide roller
- 8 Adjustment lever for pendulum action
- 9 Adjustable base plate
- 10 Dust extractor socket

General safety and accident prevention regulations

To work safely with this machine and to prevent accidents it is imperative to read the following safety regulations and operating instructions in full and to put all the information into practice.

- Always check the machine, the power cable and the plug before use. Only ever use the machine if it is in perfect, undamaged condition. Damaged parts are to be repaired or replaced immediately by a qualified electrician.
- Always pull the plug out of the power socket before carrying out any work on the machine, before changing the tool and in periods of non-use.
- Always run the power cable away from the back of the machine to guard it from damage.
- For outdoors work use only suitably approved extension cables. The extension lead must have a minimum cross section of 1.5 mm². The plug connectors must have earthing contacts and be rain-water-proof.
- Keep the machine in a safe place and out of the reach of children.
- Always wear goggles, safety gloves and ear muffs when cutting. Wear a breathing mask on dusty jobs.
- Never leave any tool keys or adjustment spanners in position on the machine. Before switching on, check that all keys and adjustment spanners have been removed.
- Secure the workpiece (with a clamp) so that it cannot slip.
- **It is prohibited to use the machine on asbestos materials.** Please note the accident prevention regulations in force in your country.
- Use only original spare parts.
- Repairs are to be carried out by qualified electricians only.
- The level of noise at the workplace may exceed 85 dB(A). In this case you will need to introduce noise protection measures for the user. The noise produced by this electric tool is measured in accordance with ISO 3744, NFS 31-031 (84/537/EEC).
- Make sure of your footing. Avoid abnormal working positions.
- Keep your electric tool out of the rain. Never use electric tools in wet or damp conditions, and never use them near inflammable liquids.
- Never carry the machine by its power cable. Keep the power cable safe from damage. Oil, solvent and sharp edges can damage cables.
- Keep your workplace tidy.
- Make sure the power switch is off before inserting the plug in the socket.
- Wear suitable clothing. Never wear loose-fitting clothes or jewelry. Use a hair-net on long hair.
- For your own safety, use only the manufacturer's accessories and attachments.
- Use only sharp saw blades that are in perfect condition. Replace bent and cracked saw blades immediately.
- After switching off the jigsaw, do not press against the side of the blade to bring it to a halt.
- Always cut at a steady rate of progress. This will prevent accidents and prolong the life of your jigsaw and the blade.

Operating instructions for the EPJ 500 E electronic jig saw

Fitting the transparent guard

Slide the transparent guard onto the machine as shown in Fig. 1 and secure it with the supplied screws. Push the anti-splinter device onto the soleplate as shown.

STARTING UP

Instant response operation (Figure 3)

Switching on: Press the On/Off switch
Switching off: Release the On/Off switch

Continuous operation

Switching on: Press the On/Off switch, keep pressed and lock with the locking button
Switching off: Press the On/Off switch and release

Electronic speed control setting (Figure 4)

You can use the speed controller to set the speed required. Turn the speed controller in PLUS direction to increase the speed, turn it in MINUS direction to reduce the speed. The ideal blade speed varies with the material and working conditions.

The general rules for cutting speeds during machining operations apply in this case too.

Pendulum (Figure 4)

The adjustable three-stage pendulum action makes it possible to adjust the blade penetration on the upward stroke for the various working material. Optimal cutting performance is thereby achieved. The saw blade is lifted from the workpiece in the downward stroke. This results in improved chip ejection while substantially reducing frictional heat and increase the life expectancy of the saw blade.

The pendulum action can be adjusted to one of three stages.

Stage 0 = Pendulum action off (best for metal)
Stage 1 = low pendulum action (best for thick wood)
Stage 2 = high pendulum action (best for thin wood)

Changing the saw blade (Figure 2)

Switch off the jigsaw and remove the plug from the power socket before changing the blade or carrying out any other work on the jigsaw.

Use the supplied allen key to undo the two screws on the ram (Figure 2). Slide the saw blade into the guide slot and up to the stop between the piston rod and the retention clip. Use the supplied allen key to tight-

ten the two screws. The teeth of the saw blade must face in cutting direction. Make sure that the saw blade sits properly in the guide slot of the ram and roller.

Adjusting the base

(for mitering and sawing near edges, Figure 5)
For mitre and bevel cuts you can swivel the base by up to 45° in either direction after undoing the two screws on the bottom. The angles 15°, 30° and 45° are marked but you can adjust the saw to any angle between these markings as required.

To adjust the cutting angle, undo the two screws (Figure 5) until you can just about move the base. Adjust to the required angle and re-tighten the two screws.

To enable you to saw right up to the edge, the base can be pushed backward. To do so, undo the two screws underneath (Figure 5) and push the base to the back. Re-tighten the two screws.

Dust extraction

The jigsaw is equipped with a dust extractor socket. Any vacuum cleaner can be connected to the socket at the rear of the jigsaw. If you require a special adapter, please contact the manufacturer of your vacuum cleaner.

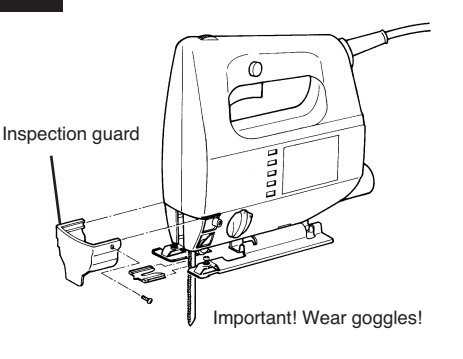
TECHNICAL DATA

Nominal voltage:	230 V ~ 50 Hz
Power consumption:	500 W
Cutting rate:	480 - 2500 strokes/min.
Stroke height:	16 mm
Cutting depth in wood:	60 mm
Cutting depth in plastic:	20 mm
Cutting depth in iron:	5 mm
Mitre cuts:	up to 45° (left and right)
Sound pressure level LPA:	89 dB(A)
Sound power level LWA:	99.6 dB(A)
Vibration a_w	3,2 m/s ²
Double isolation	
Weight	1,7 Kg

Vibration measured on the handle acc. to ISO 8662-8.

GB

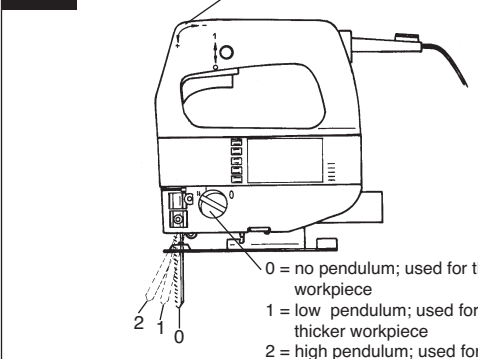
1 **Fitting the inspection guard**



Inspection guard

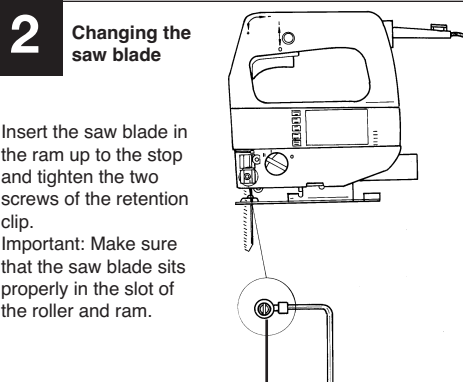
Important! Wear goggles!

4 Turn the speed controller to increase the cutting rate



0 = no pendulum; used for thin workpiece
 1 = low pendulum; used for thicker workpiece
 2 = high pendulum; used for fast cutting

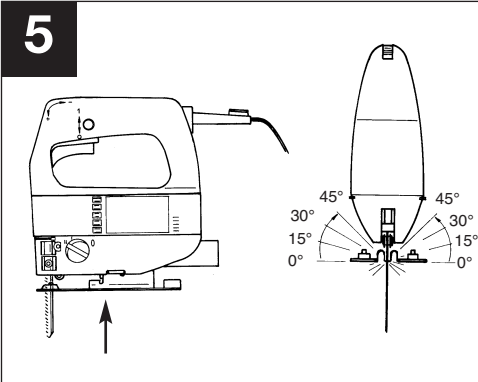
2 **Changing the saw blade**



Insert the saw blade in the ram up to the stop and tighten the two screws of the retention clip.
 Important: Make sure that the saw blade sits properly in the slot of the roller and ram.

Releasing the saw blade:
 Turn screws anticlockwise.

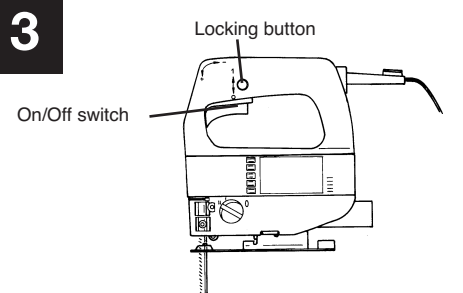
5



45° 45°
 30° 30°
 15° 15°
 0° 0°

Undo the two screws to set the base to an angle of up to 45° on the right or left side.

3



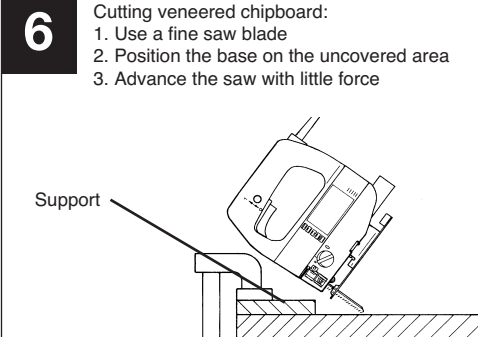
Locking button

On/Off switch

Switching on: Press the On/Off switch
 Continuous operation: Lock the On/Off switch with the locking button
 Switching off: Press the On/Off switch and release

6 **Cutting veneered chipboard:**

1. Use a fine saw blade
2. Position the base on the uncovered area
3. Advance the saw with little force



Support

Cutting holes: Not possible in chipboard and wood unless you drill a hole first. Press the jigsaw firmly against the support and move slowly in cutting direction.

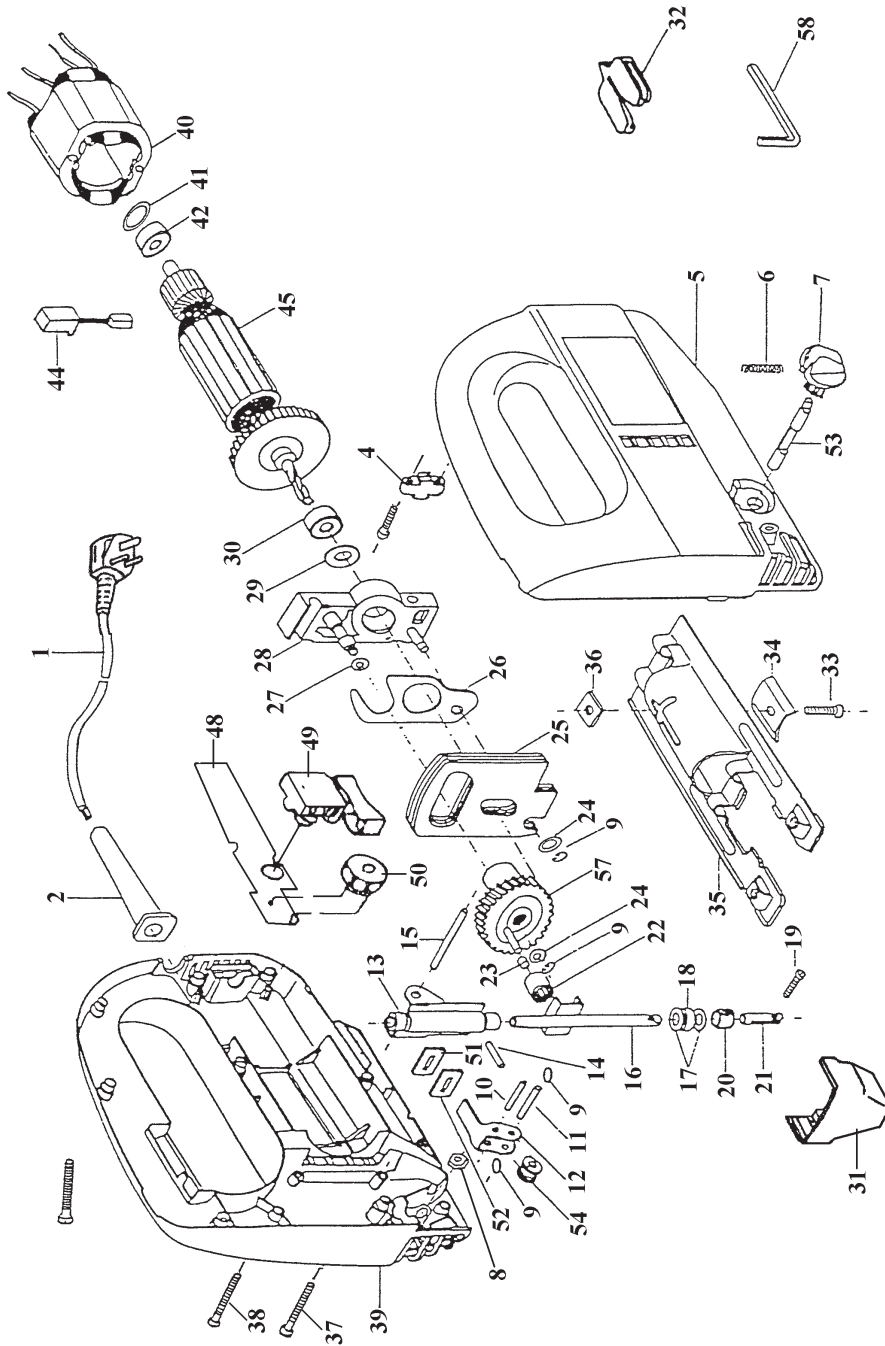


(D)	EG Konformitätserklärung Der Unterzeichnende erklärt im Namen der Firma	(GB)	EC Declaration of Conformity The Undersigned declares, on behalf of	(I)	Dichiarazione di conformità CE Il sottoscritto dichiara in nome della ditta	(F)	Déclaration de Conformité CE Le soussigné déclare, au nom de	(NL)	EC Conformiteitsverklaring De ondertekenaar verklaart in naam van de firma	(E)	Declaracion CE de Conformidad Por la presente, el abajo firmante declara en nombre de la empresa
ISC GmbH, International Service Center · Eschenstraße 6 · D-94405 Landau/Isar											
daß die	that the	che la	que	che la	que	dat de	que	dat de	que	daß die	que el/la
Maschine/Produkt	Machine / Product	macchina/prodotto	la machine / le produit	macchina/prodotto	la machine / le produit	machine/product	machine/product	machine/product	machine/product	máquina/producto	máquina/producto
Elektronik-Stichsäge	Electronic jig saw	Foretto elettronico	Scie sauteuse électronique	Foretto elettronico	Scie sauteuse électronique	Elektronische decoupeerzaag	Elektronische decoupeerzaag	Elektronische decoupeerzaag	Elektronische decoupeerzaag	Serrucho de punta electrónico	Serrucho de punta electrónico
Marke	produced by:	marca	du fabricant	marca	du fabricant	merk	merk	merk	merk	marca	marca
P O W E R CRAFT											
Type	Type	tipo	Type	tipo	Type	type	type	type	type	tipo	tipo
EPJ 500-E											
- Seriennummer auf dem Produkt - der <input checked="" type="checkbox"/> EG Maschinenrichtlinie 89/392/EWG mit Änderungen <input checked="" type="checkbox"/> EG Niederspannungsrichtlinie 73/23 EWG <input checked="" type="checkbox"/> EG Richtlinie Elektromagnetische Verträglichkeit 89/336 EWG mit Änderungen entspricht.	- Serial number specified on the product - is in accordance with the <input checked="" type="checkbox"/> EC Directive regarding machinery 89/392 EEC, as amended; <input checked="" type="checkbox"/> EC Directive regarding low-voltage equipment 73/23 EEC; <input checked="" type="checkbox"/> EC Directive regarding electromagnetic compatibility 89/336 EEC, as amended.	- numero di serie sul prodotto - corrisponde <input checked="" type="checkbox"/> alla Direttiva CE sulle macchine 89/392/CEE con modifiche <input checked="" type="checkbox"/> alla Direttiva CE sulla bassa tensione 73/23 CEE; <input checked="" type="checkbox"/> alla Direttiva CE sulla compatibilità elettromagnetica 89/336 CEE con modifiche	- no. série indiqué sur le produit - correspond(ent) à la <input checked="" type="checkbox"/> Directive CE relative aux machines 89/392 CEE avec les modifications y apportées; <input checked="" type="checkbox"/> Directive CE relative aux basses tensions 73/23 CEE; <input checked="" type="checkbox"/> Directive CE relative à la compatibilité électromagnétique 89/336 CEE avec les modifications y apportées.	- seriennummer op het produkt- conform de volgende richtlijnen is: <input checked="" type="checkbox"/> EG machinerichtlijn 89/392/EWG met wijzigingen <input checked="" type="checkbox"/> EG laagspanningsrichtlijn 73/23 EWG <input checked="" type="checkbox"/> EG richtlijn Elektromagnetische compatibiliteit 89/336 EWG met wijzigingen avec les modifications y apportées.	- No. de serie en el producto: satisface las disposiciones pertinentes siguientes: <input checked="" type="checkbox"/> Disposición de maquinaria de la CE 89/392/CEE con modificaciones <input checked="" type="checkbox"/> Disposición de baja tensión de la CE 73/23 CEE <input checked="" type="checkbox"/> Disposición de la compatibilidad electromagnética de la CE 89/336 CEE con modificaciones.						
EN 550144-1; EN 50144-2-10; EN 292-1; EN 292-A1; EN 55014; EN 50082-1; EN 60555-2; EN 60555-3	EN 550144-1; EN 50144-2-10; EN 292-1; EN 292-A1; EN 55014; EN 50082-1; EN 60555-2; EN 60555-3	EN 292-1; EN 292-A1; EN 55014; EN 50082-1; EN 60555-2; EN 60555-3	EN 55014; EN 50082-1; EN 60555-2; EN 60555-3	EN 292-1; EN 292-A1; EN 55014; EN 50082-1; EN 60555-2; EN 60555-3	EN 55014; EN 50082-1; EN 60555-2; EN 60555-3	EN 55014; EN 50082-1; EN 60555-2; EN 60555-3	EN 55014; EN 50082-1; EN 60555-2; EN 60555-3	EN 55014; EN 50082-1; EN 60555-2; EN 60555-3	EN 55014; EN 50082-1; EN 60555-2; EN 60555-3	EN 55014; EN 50082-1; EN 60555-2; EN 60555-3	EN 55014; EN 50082-1; EN 60555-2; EN 60555-3
Landau/Isar, den 24. 06. 1998	Landau/Isar, (date) 24. 06. 1998	Landau/Isar, l' 24. 06. 1998	Landau/Isar, (date) 24. 06. 1998	Landau/Isar, l' 24. 06. 1998	Landau/Isar, (date) 24. 06. 1998	Landau/Isar, datum 24. 06. 1998	Landau/Isar, datum 24. 06. 1998	Landau/Isar, datum 24. 06. 1998	Landau/Isar, datum 24. 06. 1998	Landau/Isar, 24. 06. 1998	Landau/Isar, 24. 06. 1998
Pflaum Produkt-Management-L.	Pflaum Head of Product Management	Pflaum Il Responsabile della produzione	Pflaum Direction Gestion Produits	Pflaum Il Responsabile della produzione	Pflaum Direction Gestion Produits	Pflaum Hoofd product management	Pflaum Hoofd product management	Pflaum Hoofd product management	Pflaum Hoofd product management	Pflaum Director de gestión productos	Pflaum Director de gestión productos
Archivierung / For archives: STP-0526-21-909-E											



Replacement parts drawing EPJ 500-E

Art.-No.: 43.206.02, I.-No.: 91019





Replacement parts list EPJ 500-E

Art.-No.: 43.206.02, I-No.: 91019

Item	Designation	Replacement Part No.
01	Mains cable	43.206.10.03
02	Anti-kink sleeve	43.206.00.01
04	Cable grip	43.206.00.02
05	Left half of case	43.206.00.03
06	Compression spring	43.206.00.04
07	Rotary knob	43.206.00.05
08	Nut	43.206.00.06
09	Circlip ring	43.206.00.07
10	Bolt	43.206.00.08
11	Bolt	43.206.00.09
12	Guide roller holder	43.206.00.10
13	Bracket	43.206.00.11
14	Pin	43.206.00.12
15	Bolt	43.206.00.13
16	Piston rod	43.206.00.14
17	Washer	43.206.00.15
18	Felt seal	43.206.00.16
19	Screw	43.206.00.17
20	Roller	43.206.00.18
21	Connectorl	43.206.00.19
22	Bearing	43.206.00.20
23	Sleeve	43.206.00.21
24	Washer	43.206.00.22
25	Counterweight	43.206.00.23
26	Eccentric plate	43.206.00.24
27	Lock ring	43.206.00.25
28	Bearing flange	43.206.00.26
29	Spacer ring	43.206.00.27
30	Ball bearing 60027	43.206.00.28
31	Transparent guard	43.206.00.29
32	Anti-splinter device	43.206.00.30
33	Screw	43.206.00.31
34	Clamping element	43.206.00.32
35	Soleplate	43.206.00.33
36	Special nut	43.206.00.34
37	Self-tapping screw	43.206.00.35
38	Self-tapping screw	43.206.00.36
39	Right half of case	43.206.00.37
40	Stator	43.206.00.38
41	Rubber ring	43.206.00.39
42	Ball bearing 80026	44.302.00.F9
44	Carbon brush with holder	43.206.00.41
45	Rotor	43.206.00.42
48	Printed circuit-board	43.206.00.43
49	ON/OFF switch	43.206.00.44
50	Speed controller	43.206.00.45
51	Clip	43.206.00.46
52	Felt seal	43.206.00.47
53	Axle	43.206.00.48
54	Guide roller	43.206.00.49
57	Gearwheel	43.206.00.52
58	Allen key	43.206.00.53





GB WARRANTY CERTIFICATE

The guarantee period begins on the sales date and is valid for 1 year.

Responsibility is assumed for faulty construction or material or functional defects.

Any necessary replacement parts and necessary repair work are free of charge.

We do not assume responsibility for consequential damage. Your statutory rights are not affected.

Your customer service partner



Service UK:

GB Einhell UK Ltd
Brook House, Brookway
North Chesire Trading Estate
Prenton, Wirral, Chesire
CH 43 3DS
Tel. 0151 6084802, Fax 0151 6086339

Technical specification subject to change

EH 07/00

