



Einhell

RED

RT-SC 570 L

Stone cutting machine with Laser

Art.-No. 43.014.44

Features

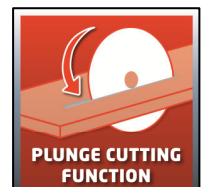
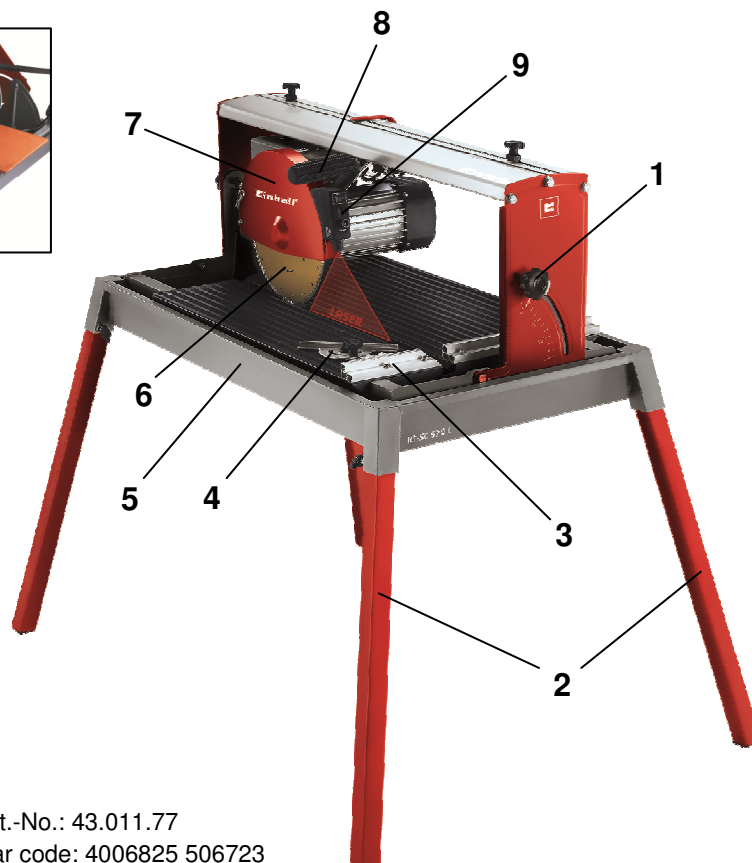
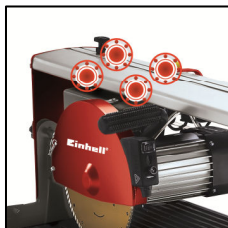
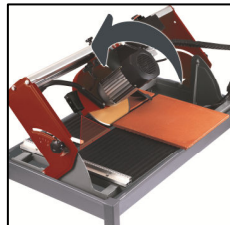
- Also suitable for large cobble sizes by long cutting length of 570 mm
- Easy transport because of toolless assembling of base
- Motor guidance from 0° - 45° continuously tiltable (1)
- Robust underframe for safe standing (2)
- 4-fold ball-bearing motor guidance
- Robust aluminium guide rails (3)
- Working table with antislip rubber mat
- Angle stop with scale (removable) for exact cuts (4)
- Large water pan (5)
- Turbo diamond cutting disc (6)
- Sturdy machine housing made of sheet steel
- Water pump with integrated magnet for filtering of fine metal particles
- Sturdy cutting disc cover made of sheet steel (7)
- Sturdy handle (8)
- Removable Laser, usable for external working (with level tube) (9)
- With dipping function

Technical Data

- Mains: 230 V ~ 50 Hz
- Power: 1,500 Watt S2 20 min.
- Idle speed: 3,000 min⁻¹
- Working table: 630 x 450 mm
- Working height: 685 mm
- Cutting depth max.: 90° - 60 mm / 45° - 48 mm
- Cutting length max.: 570 mm
- Cutting length „Jolly Cut“: 570 mm
- Mitre Cuts: 0 – 45°
- Diamond disc: Ø 250 x Ø 25.4 mm
- Protection category: IP 54
- Product weight: 46.7 kg

Logistic Data

- Net weight: 47.3 kg
- Gross weight: 51.0 kg
- Packing dimensions: 1020 x 445 x 580 mm
- Bar code: 4006825 541243
- Sales Unit: 1 pc



As special accessory available:

Turbo Diamond cutting disc
Ø 250 x Ø 25.4 mm

Art.-No.: 43.011.77
Bar code: 4006825 506723