



# SHZ 300-2 Electric Hoist

Art.-No. 22.553.14

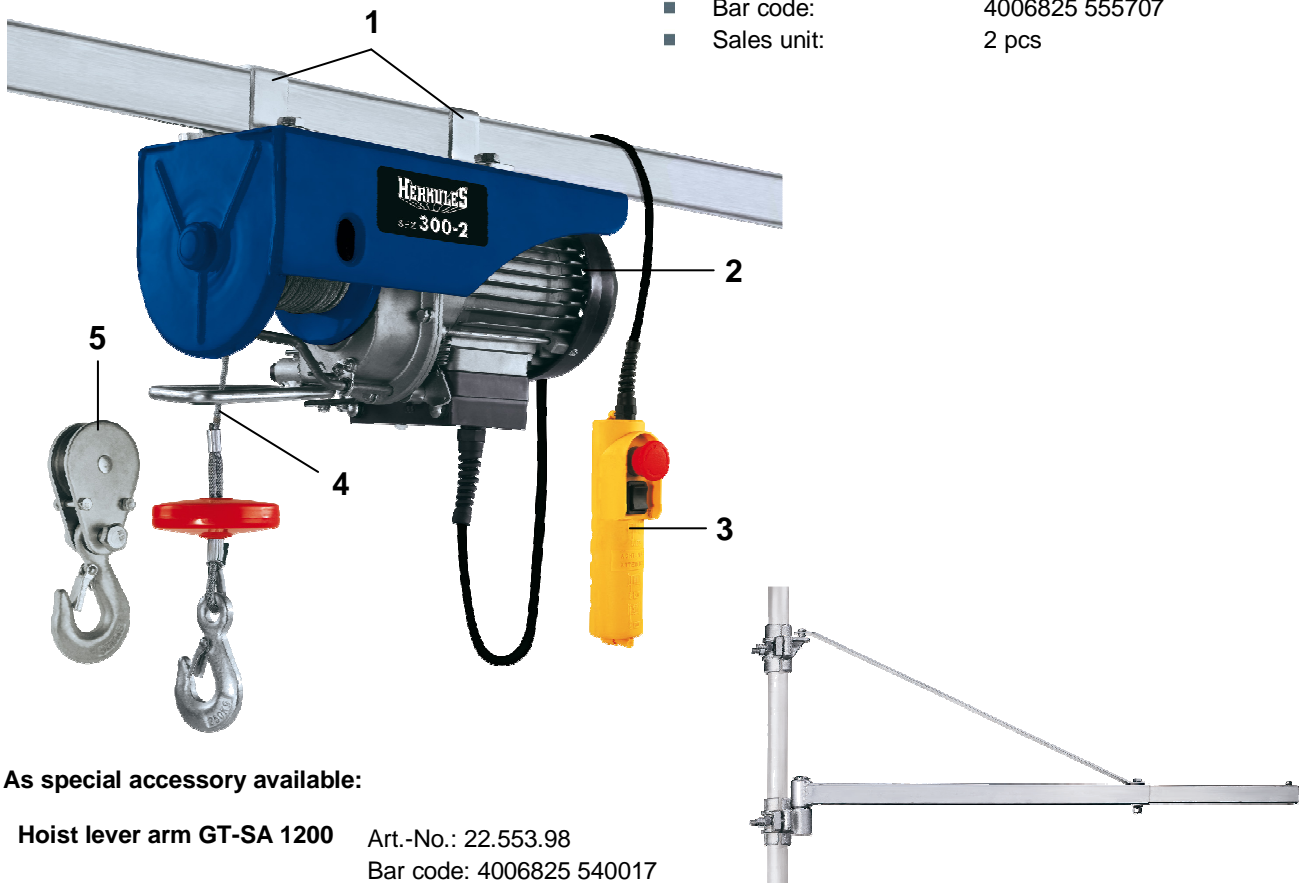
- The start button is equipped with an emergency-cut-off button. This device guarantees a safe cut-off.
- The start button is designed in insulation class II (safety insulated).
- A forcibly actuated end switch assures that the hoist will safely be cut-off (roll up and roll off).
- Also in case of a defect on the pressure spring (i. e. rupture of the wire) stopping of the load is assured.
- The brake will be activated in case of power failure in the motor.
- The non-twisting steel rope prevents twisting of the loads during the lifting motion.
- The load hook with additional safety latch: This added latch prevents an unintended loosening of the load suspension device.
- The overload protection prevents the motor from overheating.

## Features

- Fastening with 2 double clamps (1)
- Motor with thermal cut-off (2)
- Control switch with emergency button (3)
- 12 m steel wire rope (non-twisting, Ø 3.0 mm) (4)
- Deflection pulley with payload hook (5)
- An automatic brake secures the load in any position

## Technical Data

- Payload: 150 kg without pulley  
300 kg with pulley
- Lifting height: 11.5 m without pulley  
5.7 m with pulley
- Mains: 230 V ~ 50 Hz
- Power: 550 W S3 20 %
- Rope speed: without pulley: 8 m/min  
with pulley: 4 m/min
- Net weight: 11.0 kg
- Gross weight: 11.3 kg
- Packing dimensions: 355 x 230 x 145 mm
- Bar code: 4006825 555707
- Sales unit: 2 pcs



As special accessory available:

**Hoist lever arm GT-SA 1200** Art.-No.: 22.553.98  
Bar code: 4006825 540017