



Einhell

BLUE

BT-EH 250 Electric Hoist

Art.-No. 22.551.17

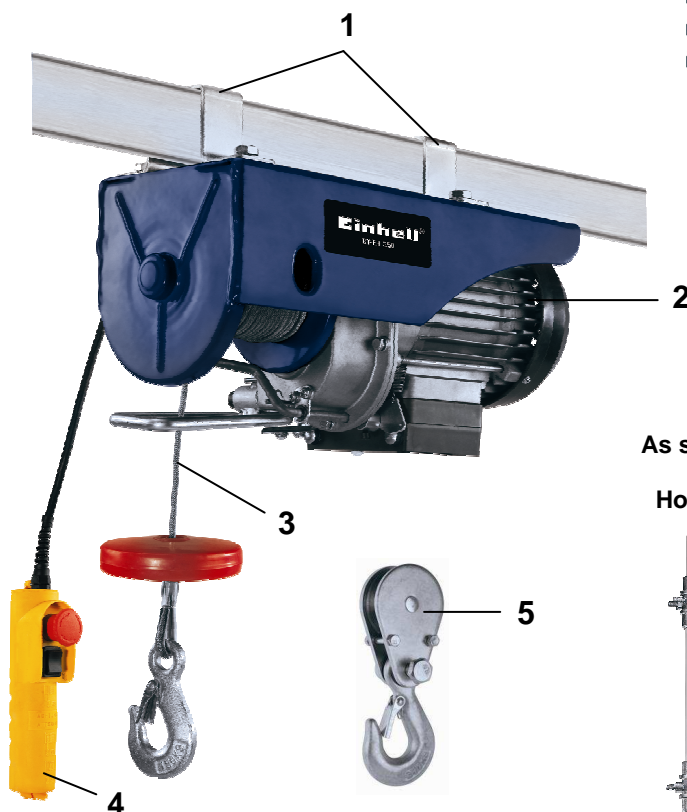
- The start button is equipped with an emergency-cut-off button. This device guarantees a safe cut-off.
- The start button is designed in insulation class II (safety insulated).
- A forcibly actuated end switch assures that the hoist will safely be cut-off (roll up and roll off).
- Also in case of a defect on the pressure spring (i. e. rupture of the wire) stopping of the load is assured.
- The brake will be activated in case of power failure in the motor.
- The non-twisting steel rope prevents twisting of the loads during the lifting motion.
- The load hook with additional safety latch: This added latch prevents an unintended loosening of the load suspension device.
- The overload protection prevents the motor from overheating.

Features

- Fastening with 2 double clamps (1)
- Motor with thermal cut-off (2)
- 12 m steel wire rope (non-twisting, Ø 3.0 mm) (3)
- Control switch with emergency button (4)
- Deflection pulley with payload hook (5)
- An automatic brake secures the load in any position

Technical Data

- Payload: 125 kg without pulley
250 kg with pulley
- Lifting height: 11.5 m without pulley
5.7 m with pulley
- Mains: 230 V ~ 50 Hz
- Power: 500 W S3 20 %
- Rope speed: without pulley: 8 m/min
with pulley: 4 m/min
- Product weight: 9.82 kg
- Gross weight: 11.0 kg
- Packing dimensions: 355 x 240 x 140 mm
- Bar code: 4006825 539714
- Sales unit: 2 pcs

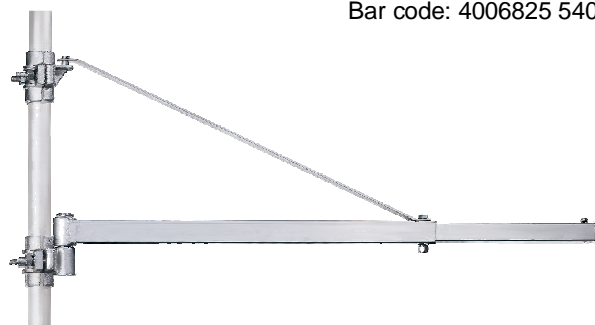


As special accessory available:

Hoist lever arm GT-SA 1200

Art.-No.: 22.553.98

Bar code: 4006825 540017



Abbildungen können nicht im Serien-Lieferumfang enthaltenes Zubehör darstellen / Illustrations can contain accessories, which are not included in standard extent of delivery. Abbildungen ähnlich, produktionsbedingte Abweichung vorbehalten / Illustration similar (in design), production-wise modifications reserved.

File: V:\Einhell-AG\TP-BK\2013\TLT-Sek01-Sek-allgemein\Azubi\PA04-I-No-Wechsel-Anpassung-08-2013\Originale Englisch-Vorgaenger-Version\2255117_11020.doc

Erstelldatum/create date: 05.02.2008 14:04:00 Aktualisiert/up dated: 28.08.2013