



*250W*

# ***MULTIFUNCTION TOOL***



***USER GUIDE***

***MODEL NUMBER E-MG 250E***

***AFTER SALES SUPPORT***

***TEL: 1300 922 271***

***EMAIL: [service.australia@einhell.com](mailto:service.australia@einhell.com)***

***✓ N26704***

# Multifunction Tool

## What your 1 year warranty means

Great care has gone into the manufacture of this product and it should therefore provide you with years good service when used properly. In the event of product failure within its intended use over the course of the first 1 year after the date of purchase, we will remedy the problem as quickly as possible once it has been brought to our attention. In the unlikely event of such an occurrence, or if you require any information about the product, please contact us via our after sales support services, details of which can be found in this manual and on the product itself.

## Welcome Section

Congratulations on choosing to buy a TAURUS® product.

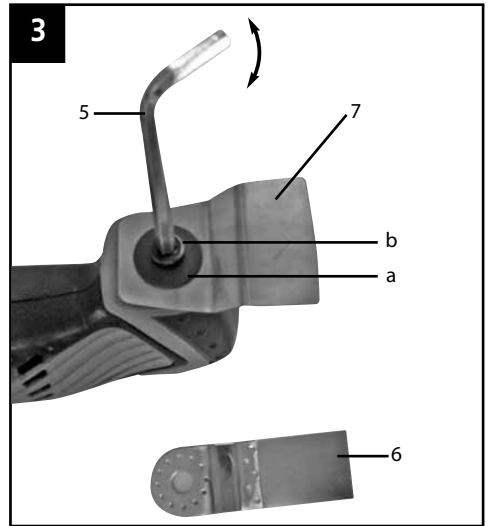
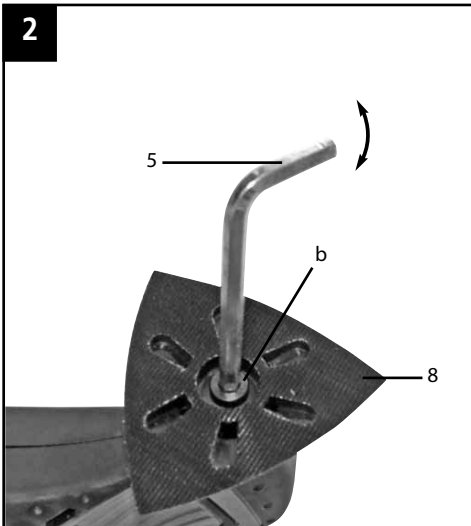
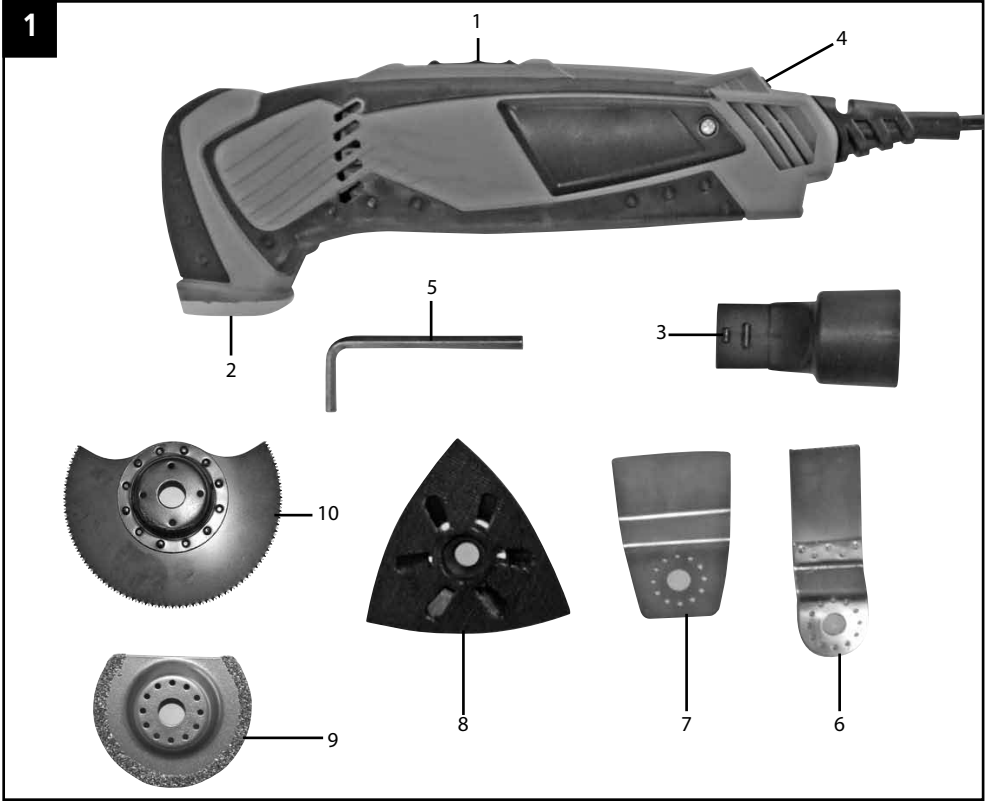
All products brought to you by TAURUS® are manufactured to the highest standards of performance and safety, and, as part of our philosophy of customer service and satisfaction, are backed by our comprehensive 1 Year Warranty.

We hope you will enjoy using your purchase for many years to come.

## Table of Contents

1. General safety rules	Pg. 6
2. Layout	Pg. 7
3. Items supplied	Pg. 7
4. Proper use	Pg. 7
5. Technical data	Pg. 8
6. Before starting the machine	Pg. 8
7. Starting up	Pg. 9
8. Replacing the power cable	Pg. 9
9. Cleaning, maintenance and ordering of spare parts	Pg. 9
10. Disposal and recycling	Pg. 10
11. Storage	Pg. 10





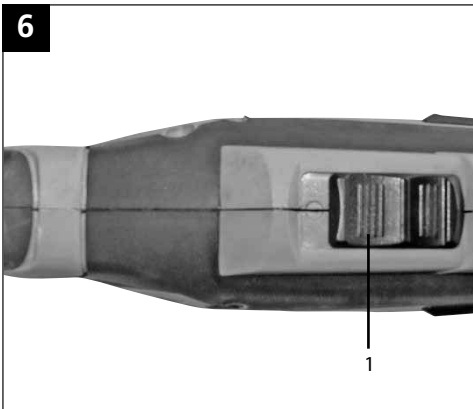
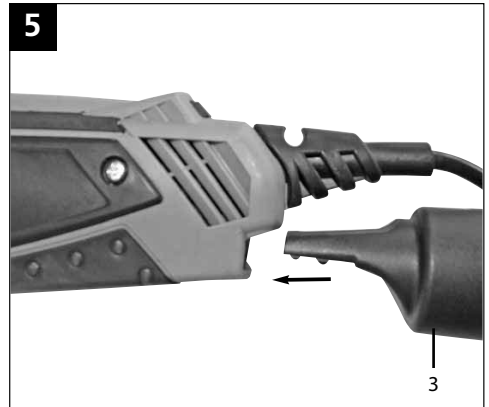
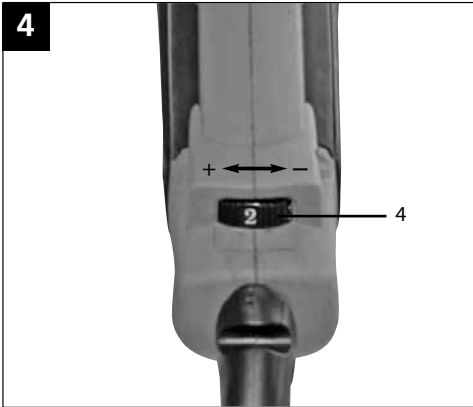
**AFTER SALES SUPPORT**



1300 922 271



service.australia@einhell.com



**Caution**

Read the operating instructions to reduce the risk of injury.

**Wear ear-muffs.**

The impact of noise can cause damage to hearing.

**Wear safety goggles.**

Sparks generated during working or splinters, chips and dust emitted by the device can cause loss of sight.

**Wear a breathing mask.**

Dust which is injurious to health can be generated when working on wood and other materials. Never use the device to work on any materials containing asbestos!

**AFTER SALES SUPPORT**

1300 922 271



[service.australia@einhell.com](mailto:service.australia@einhell.com)

# 1. GENERAL SAFETY RULES

**WARNING! Read all safety warnings and all instructions.** Failure to follow the warnings and instructions may result in electric shock, fire and/or serious injury. Save all warnings and instructions for future reference.

The term “power tool” in the warnings refers to your mains-operated (corded) power tool or battery-operated (cordless) power tool.

## 1. Work area safety

- a. **Keep work area clean and well lit.** Cluttered and dark areas invite accidents.
- b. **Do not operate power tools in explosive atmospheres, such as in the presence of flammable liquids, gases or dust.** Power tools create sparks which may ignite the dust or fumes.
- c. **Keep children and bystanders away while operating a power tool.** Distractions can cause you to lose control.

## 2. Electrical safety

- a. **Power tools plugs must match the outlet. Never modify the plug in any way. Do not use any adapter plugs with earthed (grounded) power tools.** Unmodified plugs and matching outlets will reduce risk of electric shock.
- b. **Avoid body contact with earthed or grounded surfaces such as pipes, radiators, ranges and refrigerators.** There is an increased risk of electric shock if your body is earthed or grounded.
- c. **Do not expose power tools to rain or wet conditions.** Water entering a power tool will increase the risk of electric shock.
- d. **Do not abuse the cord. Never use the cord for carrying, pulling or unplugging the power tool. Keep cord away from heat, oil, sharp edges or moving parts.** Damaged or entangled cords increase the risk of electric shock.
- e. **When operating a power tool outdoors, use an extension cord suitable for outdoor use.** Use of a cord suitable for outdoor use reduces the risk of electric shock.
- f. **If operating a power tool in a damp location is unavoidable, use a residual current device (RCD) protected supply.** Use of an RCD reduces the risk of electric shock.

## 3. Personal safety

- a. **Stay alert, watch what you are doing and use common sense when operating a power tool. Do not use a power tool while you are tired or under the influence of drugs, alcohol or medication.** A moment of inattention while operating power tools may result in serious personal injury.
- b. **Use personal protective equipment. Always wear eye protection.** Protective equipment such as dust mask, non-skid safety shoes, hard hat, or

hearing protection used for appropriate conditions will reduce personal injuries.

- c. **Prevent unintentional starting. Ensure the switch is in the off-position before connecting to power source and/or battery pack, picking up or carrying the tool.** Carrying power tools with your finger on the switch or energising power tools that have the switch on invites accidents.
- d. **Remove any adjusting key or wrench before turning the power tool on.** A wrench or a key left attached to rotating part of the power tool may result in personal injury.
- e. **Do not overreach. Keep proper footing and balance at all times.** This enables better control of the power tool in unexpected situations.
- f. **Dress properly. Do not wear loose clothing or jewellery. Keep your hair, clothing and gloves away from moving parts.** Loose clothes, jewellery or long hair can be caught in moving parts.
- g. **If devices are provided for the connection of dust extraction and collection facilities, ensure these are connected and properly used.** Use of these devices can reduce dust-related hazards.

## 4. Power tool use and care

- a. **Do not force the power tool. Use the correct power tool for your application.** The correct power tool will do the job better and safer at the rate for which it was designed.
- b. **Do not use the power tool if the switch does not turn it on and off.** Any power tool that cannot be controlled with the switch is dangerous and must be repaired.
- c. **Disconnect the plug from the power source and/or the battery pack from the power tool before making any adjustments, changing accessories, or storing power tools.** Such preventive safety measures reduce the risk of starting the power tool accidentally.
- d. **Store idle power tools out of the reach of children and do not allow persons unfamiliar with the power tool or these instructions to operate the power tool.** Power tools are dangerous in the hands of untrained users.
- e. **Maintain power tools. Check for misalignment or binding of moving parts, breakage of parts and any other condition that may affect the power tools operation. If damaged, have the power tool repaired before use.** Many accidents are caused by poorly maintained power tools.
- f. **Keep cutting tools sharp and clean.** Properly maintained cutting tools with sharp cutting edges are less likely to bind and are easier to control.
- g. **Use the power tool, accessories and tool bits etc. in accordance with these instructions and in the manner intended for the particular type of power tool, taking into account the working conditions and the work to be performed.** Use of the power tool for operations different from those intended could result in a hazardous situation.

## AFTER SALES SUPPORT



1300 922 271



service.australia@einhell.com

## 5. Service

**Have your power tool serviced by a qualified repair person using only identical replacement parts.** This will ensure that the safety of the power tool is maintained.

## 6. Recommendation

We recommend that the tool always be supplied via residual current device with a rated residual current of 30 mA or less.

### Additional safety instructions

- This tool may only be used for dry grinding/sanding operations.
- Always guide the power cable away from the back of the tool.
- Use of the tool on materials containing asbestos is prohibited.
- Always remove the plug from the power supply socket before carrying out any work on the machine (cleaning the sander, changing the sandpaper, etc.).
- Always disconnect the machine by removing the plug from the socket, not by pulling on the power cable.
- To protect your health, always wear safety goggles and a dust mask during sanding work.
- Keep your workplace clean and well illuminated.
- Make sure that the workpiece is secured so that it cannot slip.
- Keep children away.
- For your own sake, keep the machine clean at all times and check it for signs of damage each time after using it.
- Make sure that the switch is set to OFF before you insert the plug into the power supply socket.
- Make sure of your footing, particularly when working on ladders and platforms.
- If you discover any damage to the machine, use the exploded diagram and the spare parts list to determine which parts need to be ordered from Customer Service.
- **Important! Wear safety goggles and a dust mask.**

### Do not lose these safety instructions

#### Important!

When using equipment, a few safety precautions must be observed to avoid injuries and damage. Please read the complete operating manual with due care. Keep this manual in a safe place, so that the information is available at all times. If you give the equipment to any other person, give them these operating instructions as well. We accept no liability for damage or accidents which arise due to non-observance of these instructions and the safety information.

## 2. Layout (Fig. 1)

1. ON/OFF switch
2. Tool chuck
3. Dust extraction adapter
4. Speed controller
5. Allen key for changing tools
6. Plunge Saw Blade
7. Scraper
8. Triangular sanding/grinding plate
9. Diamond saw blade
10. HSS saw blade

## 3. Items Supplied

- Open the packaging and take out the equipment with care.
- Remove the packaging material and any packaging and/or transportation braces (if available).
- Check to see if all items are supplied.
- Inspect the equipment and accessories for transport damage.
- If possible, please keep the packaging until the end of the guarantee period.

#### Important!

The equipment and packaging material are not toys. Do not let children play with plastic bags, foils or small parts. There is a danger of swallowing or suffocating!

- 1x Multifunction Tool
- 1x Triangular sanding/grinding plate
- 1x Plunge saw blade
- 1x Scraper
- 1x Dust extraction adapter
- 1x Allen key
- 6x Sanding paper
- 1x Diamond saw blade
- 1x HSS saw blade
- 1x User Guide
- 1x Quick Start Guide
- 1x Warranty Card
- 1x Warranty Sticker

## 4. Proper use

The equipment is designed for the sanding/grinding of wood, iron, plastic and similar materials using the appropriate sanding/grinding paper. Furthermore, the equipment is intended for sawing wood, plastic and similar materials, as well as scraping off glued carpets, filling compound residues, old paint and similar applications.

The equipment is to be used only for its prescribed purpose. Any other use is deemed to be a case of misuse. The user / operator and not the manufacturer will be liable for any damage or injuries of any kind caused as a result of this.

Please note that our equipment has not been designed

## AFTER SALES SUPPORT



1300 922 271



service.australia@einhell.com

for use in commercial, trade or industrial applications. Our warranty will be voided if the machine is used in commercial, trade or industrial businesses or for equivalent purposes.

## 5. Technical data

Mains voltage:	230 V~ 50Hz
Power input:	250 W
Idling Speed:	15000 - 21000 rpm
Sanding/grinding:	90 x 90 x 90 mm
Oscillation angle:	3°
Protection Class:	II/□
Weight :	1.2 kg

### Sound and vibration

Sound and vibration values were measured in accordance with EN 60745.

$L_{pA}$ sound pressure level	87 dB(A)
$K_{pA}$ uncertainty	3 dB
$L_{WA}$ sound power level	98 dB(A)
$K_{WA}$ uncertainty	3 dB

### Wear ear-muffs.

The impact of noise can cause damage to hearing. Total vibration values (vector sum of three directions) determined in accordance with EN 60745.

Total vibration values (vector sum of three directions) determined in accordance with EN 60745.

### Handle

Vibration emission value  $a_h = 4.632 \text{ m/s}^2$   
K uncertainty =  $1.5 \text{ m/s}^2$

### Warning!

The specified vibration value was established in accordance with a standardised testing method. It may change according to how the electric equipment is used and may exceed the specified value in exceptional circumstances.

The specified vibration value can be used to compare the equipment with other electric power tools.

The specified vibration value can be used for initial assessment of a harmful effect.

### Keep the noise emissions and vibrations to a minimum.

- Only use appliances which are in perfect working

- order.
- Service and clean the appliance regularly.
- Adapt your working style to suit the appliance.
- Do not overload the appliance.
- Have the appliance serviced whenever necessary.
- Switch the appliance off when it is not in use.
- Wear protective gloves

### Residual risks.

**Even if you use this power tool in accordance with instructions, certain residual risks cannot be ruled out. The following hazards may arise in connection with the equipment's construction and layout:**

1. Lung damage if no suitable protective dust mask is used.
2. Damage to hearing if no suitable ear protection is used.
3. Health damage caused by hand-arm vibrations if the equipment is used over a prolonged period or is not properly guided and maintained.

## 6. Before starting the machine

- Before you connect the equipment to the mains supply make sure that the data on the rating plate is identical to the mains data.
- Always pull the power plug before making adjustments to the equipment.

### 6.1 Choosing the right plug-in accessories

**Plunge Saw Blade (Fig. 1/Item 6) and HSS saw blade (Fig. 1/Item 10):** Sawing wood and plastic.

Notes on working practice: When sawing, watch out for foreign bodies in the workpiece and remove these if necessary.

The plunge saw blade (Fig. 1/Item 6) can be used for plunge cutting. **Important!** Plunge cutting is allowed only in soft materials such as wood or plasterboard.

**Diamond saw blade (Fig 1/Item 9):** For partial repair of tiled surfaces indoors and brick walls. Notes on working practices: Only to be used when the turning frequency is high.

### Triangular sanding/grinding plate (Fig 1/Item 8):

Surface sanding/grinding at edges, in corners or hard-to-reach areas. Depending on choice of sanding/grinding paper for the sanding/grinding of wood, paint, lacquer, etc.

The Velcro fastener enables easy changing of sanding/grinding paper. Make sure that the vacuum extraction holes on the sanding/grinding paper and the triangular sanding/grinding plate (Fig. 1/Item 8) are aligned. Notes on working practice: This equipment offers particularly high performance for the sanding/grinding of hard-to-reach corners and edges. To sand/grind profiles and channels you can also work with just the tip or the edge of the sanding/grinding plate. Various sanding/





grinding papers are available, specially designed for the different types of material you may be working on and the amount you wish to remove from the surface. The amount removed will depend largely on the choice of sanding/grinding paper and pressure applied to the sanding/grinding plate.

**Scraper (Fig 1/Item 7):** Scraping off old paint or adhesives. Notes on working practice: Move the plug-in accessory against the area you want to remove. Begin with a flat angle of incidence and little pressure. The surface (e.g. wood, plaster) may be damaged if too much pressure is used.

### 6.2 Fitting the plug-in accessories (Figs. 1/2/3)

- To fit the plug-in accessories safely you should hold the multifunction tool so that the ON/OFF switch (Fig. 1/Item 1) points down and the tool chuck (Fig. 1/Item 2) faces up.
- Place the plug-in accessory (e.g. the triangular sanding/grinding plate) on the tool chuck (Fig. 1/Item 2) so that the pins of the tool chuck (Fig. 1/Item 2) fit into the recesses in the plug-in accessory.
- Secure the plug-in accessory using the supplied screw (Fig. 2 & 3/Item b) and tighten the screw securely with the provided Allen key (Fig. 1/Item 5).
- Make sure that the washer (Fig. 3/Item a) is used for the screw (Fig. 2 & 3/Item b) only in connection with the saw blade (Fig. 3/Item 6) and the scraper (Fig. 3/Item 7). The corrugated face of the washer must be placed against the plug-in accessory.

**Check that the plug-in accessory is secure.**

### 6.3 Assembly of the dust extraction adapter

The dust extraction system prevents the accumulation of dirt and high dust loads in the air, and it makes it easier to dispose of the dust.

- Insert the dust extraction adapter (Fig. 5/Item 3) into the opening until both projections are locked into place.
- Connect your appliance to an extraction unit or vacuum cleaner. This will provide excellent extraction of chips and dust from the workpiece.

## 7. Starting up (Fig. 6)

### 7.1 Switching ON/OFF

Slide the ON/OFF switch (1) forwards to switch on the equipment.

### 7.2 Practical tips

- Switch on the equipment.
- Work away from the body.
- Never move your hands into the direct vicinity of the work area.
- Use only plug-in accessories which are in good working order and undamaged.

### 7.3 Speed controller

To pre-select the speed turn the knurled screw (Fig. 4/Item 4) on the switch.

Plus direction	Higher speed
Minus direction	Lower speed

## 8. Replacing the power cable

If the power cable for this equipment is damaged, it must be replaced by the manufacturer or its after-sales service or similarly trained personnel to avoid danger. Please call our Customer Service Hotline on 1300 922 271.

## 9. Cleaning, maintenance and ordering of spare parts

Always pull out the power plug before starting any cleaning work.

### 9.1 Cleaning

- Keep all safety devices, air vents and the motor housing free of dirt and dust as far as possible.
- Wipe the equipment with a clean cloth or blow it with compressed air at low pressure.
- We recommend that you clean the device immediately each time you have finished using it.
- Clean the equipment regularly with a moist cloth and some soft soap. Do not use cleaning agents or solvents; these could attack the plastic parts of the equipment. Ensure that no water can seep into the device.

### 9.2 Carbon brushes

In case of excessive sparking, have the carbon brushes checked only by a qualified electrician.

Important! The carbon brushes should not be replaced by anyone but a qualified electrician.

### 9.3 Maintenance

There are no parts inside the equipment which require additional maintenance.

### 9.4 Ordering spare parts:

Please quote the following data when ordering spare parts:

- Type of machine
- Article number of the machine
- Identification number of the machine
- Replacement part number of the part required

Please call our Customer Service Hotline on 1300 922 271.

## AFTER SALES SUPPORT



1300 922 271



service.australia@einhell.com

## 10. Disposal and recycling

The unit is supplied in packaging to prevent its being damaged in transit. This packaging is raw material and can therefore be reused or can be returned to the raw material system.

The unit and its accessories are made of various types of material, such as metal and plastic.

Defective components must be disposed of as special waste. Ask your local council.

## 11. Storage

Store the equipment and accessories out of children's reach in a dark and dry place at above freezing temperature. The ideal storage temperature is between 5 and 30 °C. Store the electric tool in its original packaging.



## AFTER SALES SUPPORT



1300 922 271



[service.australia@einhell.com](mailto:service.australia@einhell.com)

TAURUS® is a registered trademark of ALDI Stores.

**ALDI Guarantee**

Specially made for ALDI Stores to our stringent quality specifications. If you are not entirely satisfied with this product, please return it to your nearest ALDI store, within 60 days from the date of purchase, for a full refund or replacement, or take advantage of our after sales support by calling the Customer Service Hotline.

ALDI STORES  
1 SARGENTS ROAD  
MINCHINBURY NSW 2770  
AUSTRALIA  
[www.aldi.com.au](http://www.aldi.com.au)

10/2012  
Art.Nr: 44.650.22\_11022

**AFTER SALES SUPPORT**



1300 922 271



[service.australia@einhell.com](mailto:service.australia@einhell.com)