



## Laser Jig Saw P-PSL 750

Art. No.: **43.210.37**

Bar code: **4006825530063**

Sales unit: **3 pc**

Laser Jig saw for multi-purpose use. An adjustable saw plate allows you to set various angles of tilt. The Jig Saw is equipped with **electronic control** and 3-settings pendulum. You can make precise cuts with the additional laser operation.

### Features:

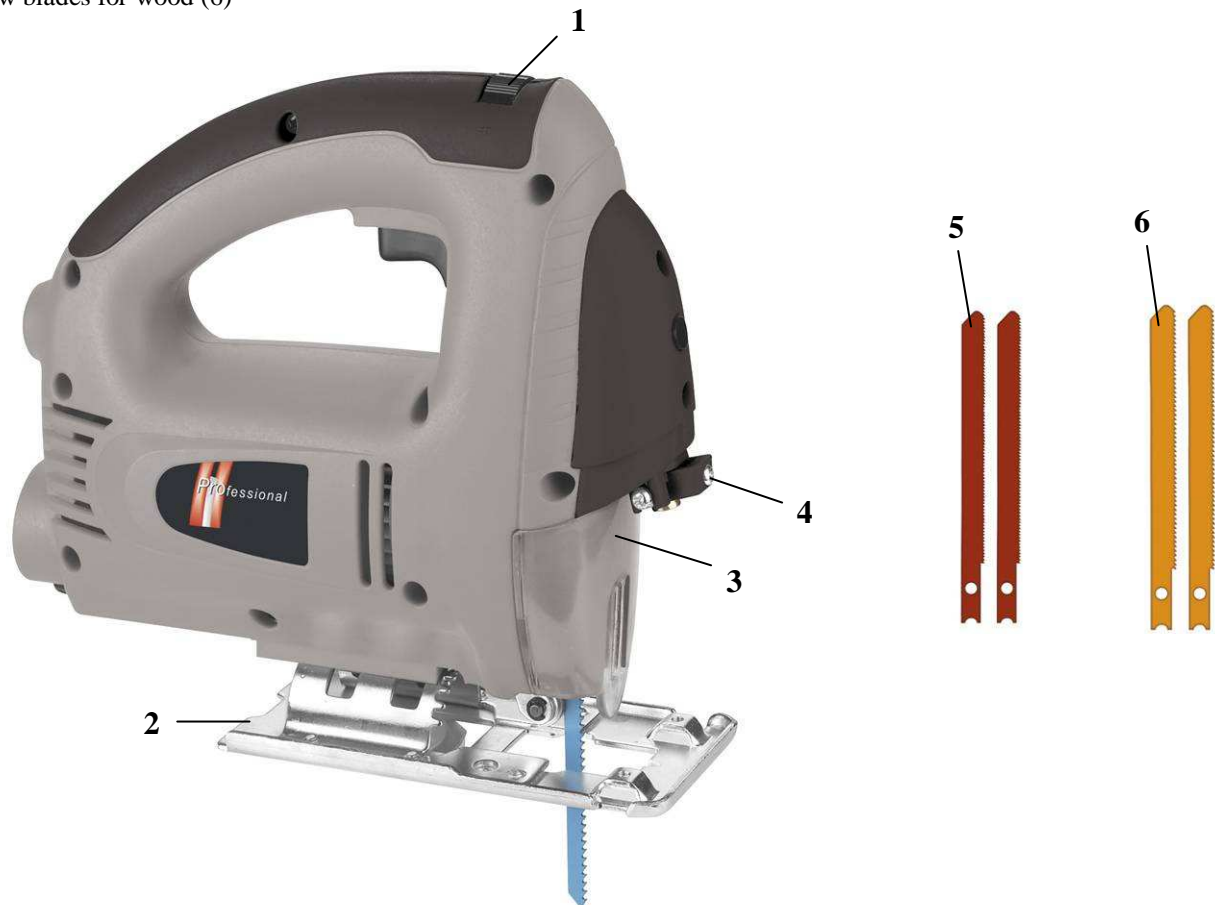
- Stroke rate control speed electronics (1)
- Saw plate tilting up to 45 ° to the left and right (2)
- Screen view (3)
- **Laser module (4)**
- 3-settings pendulum 0/1/2

### Standard Accessories:

- Allan key
- Integrated dust extractor
- 2 saw blades for iron (5)
- 2 saw blades for wood (6)

### Technical data:

- Mains: 230 V ~ 50 Hz
- Power: 750 watts
- Number of Stroke  $n_o$ : 600-3000  $\text{min}^{-1}$
- Cutting depth: Wood max. 100 mm  
Iron max. 10 mm  
Plastic max. 20 mm
- Bevel cut: max. 45 °
- Laser level: II
- Weight: 2.3 kg
- Packing dimensions: 255 x 85 x 212 mm



Abbildungen können nicht im Serien-Lieferumfang enthaltene Zubehör darstellen / Illustrations can contain accessories, which are not included in standard extent of delivery.

Abbildungen ähnlich, produktionsbedingte Abweichung vorbehalten / Illustration similar (in design), production-wise modifications reserved

File: S:\shared-pool\Product-Dokumentation\T-Produktbeschreibung\30\_n0t\Originale\_Englisch\_PA04\4321037\_01016.doc

Erstelldatum / create date: 20.04.2006 10:14:00

Aktualisiert / up dated: 28.10.2008