

Precise & mobile for versatile application!

Einhell®

NEW GENERATION



The FKS 22/315 UG is a powerful cross cut saw, easy to handle and suitable for a wide range of applications.

Ideal for ripping solid woods and precise cross-cutting of work pieces. Equipped with a precise operating slide, parallel guide rail with eccentric locking lever, angle settings and twin dust extraction adaptor.

Precise setting of the various scales with the magnifying glass provided. For mobile application, the FKS 22/315 has been equipped with an undercarriage and handles for transport by a single person.



FKS 22/315 Table Cross Cut Saw

Available as special accessory: Carbide-tipped saw blade:
Ø 315 x Ø 30 mm 24 teeth

Art. No.: 45.020.60
Ident. No.: 01014
Bar Code: 4006825 505467



Carbide-tipped saw blade:
Ø 315 x Ø 30 mm 48 teeth

Art. No.: 45.020.11
Ident. No.: 01011
Bar Code: 4006825 456295



Logistic Information:

Type:	FKS 22/315	Sales unit:	1 pc
Art. No.:	43.406.70	20°:	75 pcs
Ident. No.:	01013	40°:	160 pcs
Bar Code:	4006825 503388	40° HC:	-- pcs
Packing:	1130x710x440 mm	Weight:	70 kgs (gross)



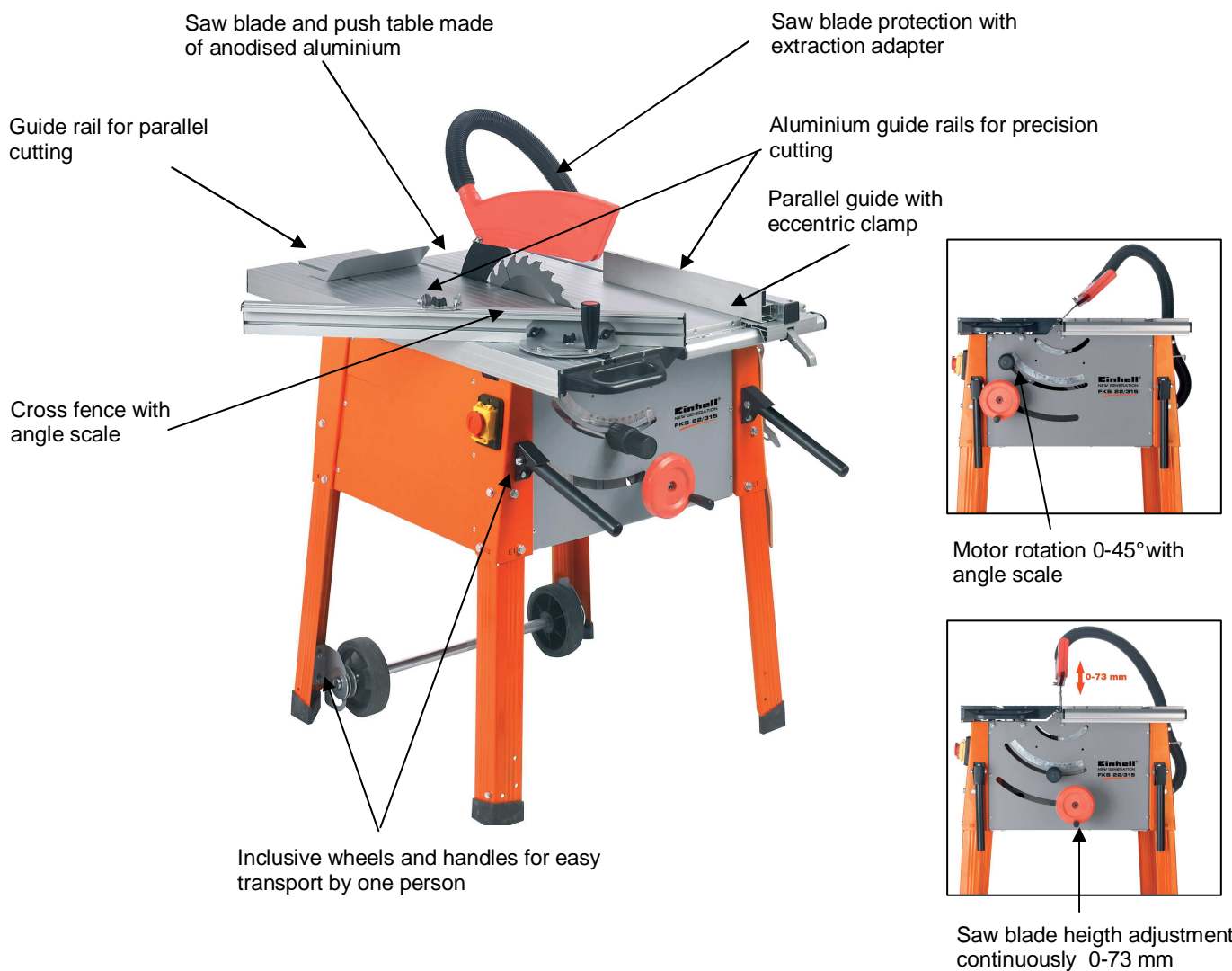
Abbildungen können nicht im Serien-Lieferumfang enthaltenes Zubehör darstellen / Illustrations may contain accessories not included in the standard scope of delivery. Abbildungen ähnlich, produktionsbedingte Abweichung vorbehalten / Illustrations will be similar (in design), production-related modifications reserved without prior notice.

File: S:\shared-pool\Product-Dokumentation\T-Produktbeschreibung\30_n0\Originale_Englisch_PA04\4340670_01013.doc
Erstelldatum/create date: 22.06.2006 15:33:00Aktualisiert/up dated: 28.10.2008

Precise & mobile for versatile application!

Einhell®

NEW GENERATION



Features:

- Saw blade and push table made of anodised aluminium
- Aluminium guide rails for precision cutting
- Motor rotation 0-45° with angle scale
- Continuous saw blade height adjustment 0-73 mm
- Including wheels and handles for easy transport by one person
- Cross fence with angle scale
- Guide rail for parallel cuttings
- Parallel guide with eccentric clamp
- Lens for number scale
- Integrated dust extraction

Technical Data:

- Mains: 230V~ 50 Hz
- Power: 2,200 watts S6 20%
- Idle speed n_0 : 2,860 min^{-1}
- Number of teeth: 24
- Saw blade: $\varnothing 315 \times \varnothing 30 \times 3,6 \text{ mm}$
- Cutting height max.: 73 mm/90°, 49 mm/45°
- Height adjustment, continuous: 0 – 73 mm
- Table size: 800 x 350 mm
- Size of slide table: 1,000 x 300 mm
- Slide length: 600 mm
- Saw blade rotation: 0 – 45°

Logistic Information:

Type:	FKS 22/315	Tool:	Table Cross Cut Saw
Art. No.:	43.406.70	Sales unit:	1 pc
Ident. No.:	01013	20`:	75 pcs
Bar Code:	4006825 503388	40``:	160 pcs
Packing:	1130x710x440 mm	40``HC:	-- pcs
		Weight:	70 kgs (gross)



Abbildungen können nicht im Serien-Lieferumfang enthaltenes Zubehör darstellen / Illustrations may contain accessories not included in the standard scope of delivery. Abbildungen ähnlich, produktionsbedingte Abweichung vorbehalten / Illustrations will be similar (in design), production-related modifications reserved without prior notice.