



ANGLE GRINDER STAND

USER GUIDE

Important: retain for future reference - please read carefully.

Now you have purchased a WORKZONE® product you can rest assured in the knowledge that as well as your 1 year parts and labour guarantee you have the added peace of mind of dedicated helplines and web support.

AFTER SALES SUPPORT

 1300 922 271  service.australia@einhell.com

MODEL NO: TS125/115

08/2013

ANGLE GRINDER STAND

What your 1 year warranty means

Great care has gone into the manufacture of these products and they should therefore provide you with years of good service when used properly. In the event of product failure within its intended use over the course of the first 1 year after the date of purchase, we will remedy the problem as quickly as possible once it has been brought to our attention. In the unlikely event of such an occurrence, or if you require any information about the product, please contact us via our after sales support services, details of which can be found in this manual and on the product itself.

Welcome Section

Congratulations on choosing to buy a WORKZONE® product.

All products brought to you by WORKZONE® are manufactured to the highest standards of performance and safety, and, as part of our philosophy of customer service and satisfaction, are backed by our comprehensive 1 Year Warranty.

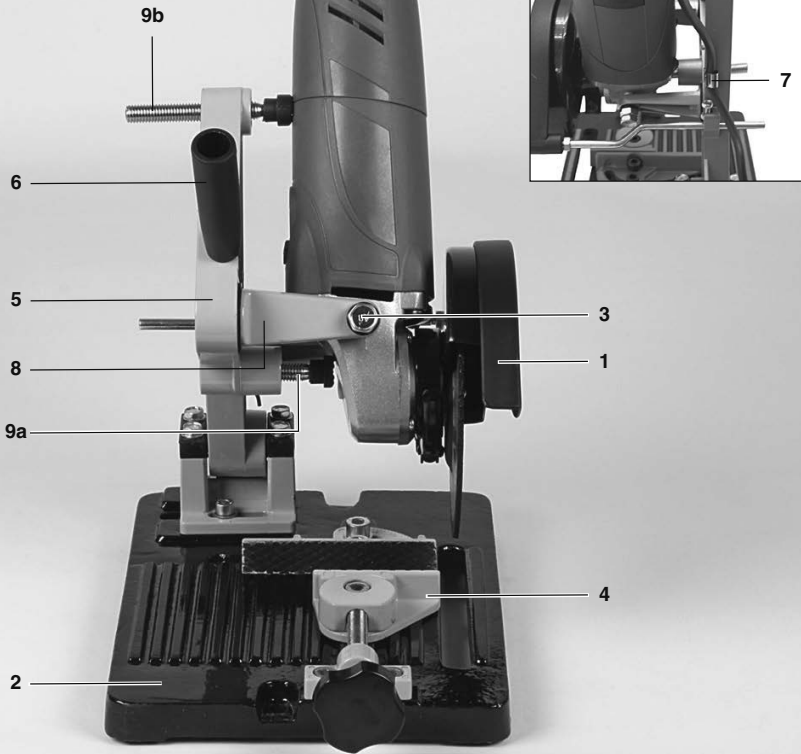
We hope you will enjoy using your purchase for many years to come.

Table of Contents

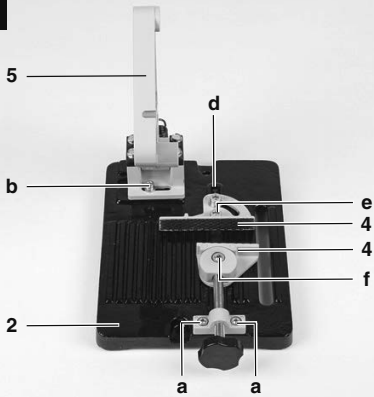
1. Safety Rules	Pg. 5
2. Layout/Items Supplied	Pg. 7
3. Intended Use	Pg. 7
4. Technical Data	Pg. 7
5. Assembly	Pg. 7
6. Operation	Pg. 8
7. Cleaning, Maintenance & Ordering of Spare Parts	Pg. 8
8. Disposal & Recycling	Pg. 8
9. Storage	Pg. 8



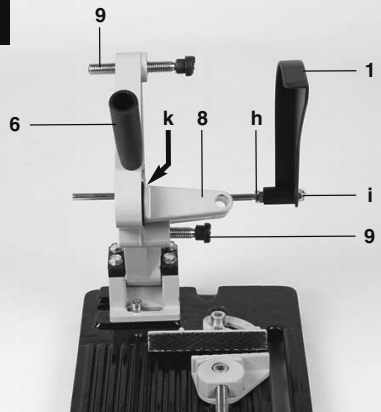
1



2

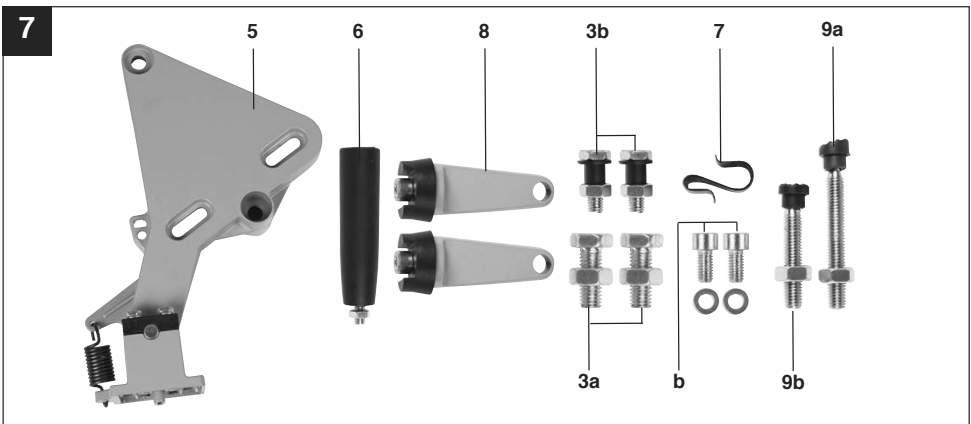
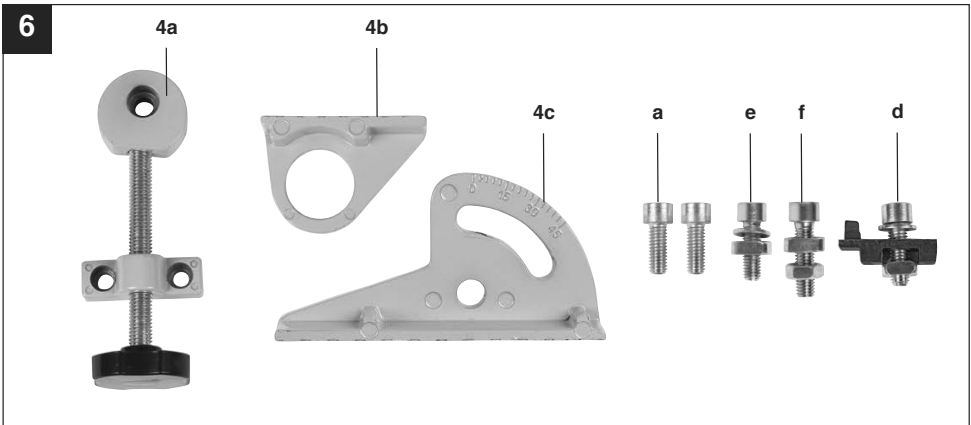
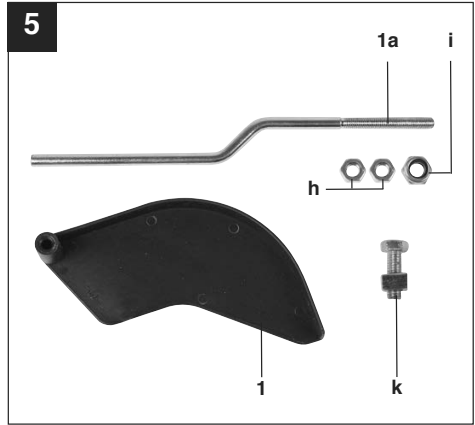
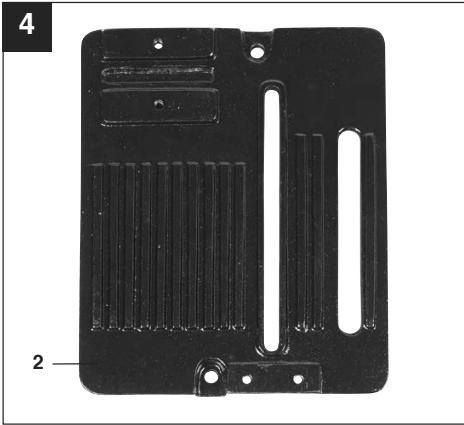


3



3





1. SAFETY RULES

WARNING! The following basic safety actions must be taken when using accessory devices with our electric tools in order to protect the user from electric shocks, risk of injury and other hazards. Read and follow these instructions before using the device and keep this manual in a safe place.

SAVE THESE INSTRUCTIONS

1. For your own safety, read and observe this safety information for the angle grinder stand as well as the safety instructions issued by the manufacturers of the electric tool and cutting-off wheel with regard to cutting.
2. The angle grinder stand must always be securely fastened to a workbench in a horizontal upright position.
3. Keep your workplace clean and well illuminated.
4. Avoid abnormal working postures. Make sure you stand squarely and keep your balance at all times.
5. Never use the machine in the vicinity of combustible materials, liquids or gases.
6. Wear safety goggles, a visor, a breathing mask, an apron, safety shoes, long tight sleeves and gloves.
7. Keep children away. Do not allow other persons, particularly children, to touch the tool. Keep them out of your work area.
8. Never work without a guard over the cutting-off wheel or without standard spark protection.
9. Always leave the safety devices in position and make sure that they are in good working order.
10. Always check the cutting-off wheel for cracks or signs of damage. Replace cracked or damaged cutting-off wheels immediately.
11. Before operation, make sure that the cutting-off wheel does not touch the machine.
12. Check in regular intervals that all screws, nuts and bolts are fastened securely enough.
13. Make sure that the power cable is a safe distance from the cutting-off wheel and the working area.
14. Do not use the angle grinder stand with high-performance electric tools that are not suitable for the accessory device.
15. Use only cutting-off wheels for metal.
16. Make sure that the cutting-off wheel moves vertically to the base plate.
17. Secure the workpiece carefully. It has to be securely clamped in a straight position in order to prevent it from moving and skewing while the cut is being made.
18. Do not try to cut workpieces which are obviously too big for the angle grinder stand.
19. Make sure that the cutting-off wheel stops completely before you remove the workpiece, clamp in a new workpiece, or adjust the angle.
20. Never reach behind or near the cutting-off wheel.
21. Never leave an electric tool unattended when it is running. Always switch off your electric tool before leaving it.
22. Always pull out the power plug when not in use, before carrying out any maintenance work and before fitting or removing the tool from the stand.
23. Avoid unintentional starting. Make sure that the switch is OFF when inserting the plug in the socket-outlet.
24. Never use circular saw blade or ceramic wheels.
25. Before using, make sure that the device is securely fastened in accordance with the instructions.
26. Never use your hands or any other objects to stop the wheel.
27. Do not overload your tool; allow the wheel to work without applying any pressure.
28. Check to see if all parts are mounted. In this connection, please read the instructions and particularly the safety information. Only use a fully mounted machine.
29. Use the accessory parts and electric tools for their intended purpose only.
30. Check to see if the accessory parts are not damaged. Also make sure the moving parts of the clamping device and safety guard are working correctly.
31. Be alert at all times. Concentrate on what you are doing. Use common sense. Never use the electric tool when you are distracted.
32. The angle grinder stand is designed for cutting ferrous metals. Do not try to cut wood, brick or other unsuitable materials.
33. Do not stand in the cutting direction after a new cutting-off wheel has been fitted. Allow the machine to run for approximately one minute before you begin with the cutting. If the cutting-off wheel has an invisible fracture or defect, it will burst in less than one minute.
34. Keep your electric tools in a safe place. When equipment is not being used it should be kept in a dry, closed place out of children's reach.
35. Wear suitable work clothes. Do not wear loose clothing or jewellery as they may get caught in moving parts. Non-slip shoes are recommended. Wear a hair net if you have long hair.
36. Always remove keys and wrenches after use. Before switching on, make sure that all keys and wrenches have been removed from the tool.





Caution.

Read the operating instructions to reduce the risk of injury.



Wear ear-muffs.

The impact of noise can cause damage to hearing.



Wear a breathing mask.

Dust which is injurious to health can be generated when working on wood and other materials. Never use the device to work on any materials containing asbestos!



Wear safety goggles.

Sparks generated during working or splinters, chips and dust emitted by the device can cause loss of sight.



2. LAYOUT/ITEMS SUPPLIED

2.1 Layout (Fig.1)

1. Spark protection
2. Base plate
- 3a/3b. Fastening screws for angle grinder
4. Clamping device for workpiece
5. Swing arm
6. Handle
7. Cable holder
8. Holder for angle grinder
- 9a/9b. Adjusting screws for angle grinder

2.2 Items Supplied

Important: There is no angle grinder supplied with the angle grinder stand!

- Open the packaging and take out the equipment with care.
- Remove the packaging material and any packaging and/or transportation braces (if available).
- Check to see if all items are supplied.
- Inspect the equipment and accessories for transport damage.
- If possible, please keep the packaging until the end of the guarantee period.

Important!

The equipment and packaging material are not toys. Do not let children play with plastic bags, foils or small parts.

There is a danger of swallowing or suffocating!

- 1 x Angle Grinder Stand
- 1 x Clamping Device
- 1 x Instruction Manual
- 1 x Warranty Certificate
- 1 x Warranty Sticker

3. INTENDED USE

The angle grinder stand is to be used in combination with an angle grinder (disc size 115/125mm) to cut metal.

The equipment is to be used only for its prescribed purpose. Any other use is deemed to be a case of misuse. The user/operator and not the manufacturer will be liable for any damage or injuries of any kind caused as a result of this.

Please note that our equipment has not been designed for use in commercial, trade or industrial applications. Our warranty will be voided if the equipment is used in

commercial, trade or industrial businesses or for equivalent purposes.

4. TECHNICAL DATA

Disc Diameter	115/125mm
Angle Grinder Weight max:	2.5kg
Cutting Depth max:	30mm
Weight	3.1kg

Reduce noise generation and vibration to a minimum!

- Use only equipment that is in perfect condition.
- Maintain and clean the equipment regularly.
- Adopt your way of working to the equipment.
- Do not overload the equipment.
- Have the equipment checked if necessary.
- Switch off the equipment when not in use.
- Wear Gloves

Residual risks

Even if you use this electric power tool accessory in accordance to instructions, certain residual risks cannot be eliminated. The following hazards may arise in connection with the equipment's construction and layout:

1. Lung damage if no suitable protective dust mask is applied.
2. Damage to hearing if no suitable ear protection is applied.
3. Health damage caused by hand-arm vibrations if the equipment is used over a longer period or is not properly guided and maintained.

5. ASSEMBLY (FIG. 2-7)

5.1 Assembling the angle grinder stand

- Use the two screws (b) to mount the swing arm (5) to the base plate (2).
- Use screws (a, d, e, f) to attach the clamping device for the workpiece (4) to the base plate (2).
- Use the nuts (h, i) to fix the spark protection (1) onto the bar (1a). Then use the screw (k) to attach the complete spark protection (1) to the swing arm (5) as shown in Fig. 2.
- Fix the angle grinder stand to a steady, even work bench.
- Mount the handle (6), the two holders for the angle grinder (8) and the two adjustments screws (9) as shown in Fig. 3.

5.2 Mount the angle grinder onto the angle grinder stand

Important! Unplug the angle grinder before fitting the tool to the angle grinder stand.

This angle grinder stand is suitable for angle grinder with a disc size of 115 mm and 125 mm.

To mount the angle grinder, undo the two adjusting screws (9) and fold back the spark protection (1). Place the angle grinder onto the angle grinder stand and secure it with the two fastening screws (3). Depending on the angle grinder size, use fastening screws 3a or 3b.

Tighten the adjustment screws (9) to fix the angle grinder into place and prevent it from moving. Fold the spark protection (1) to the front and fix the cable of the angle grinder into the cable holder (7).

Important! Despite the spark protection (1), the angle grinder still has to be used with the required cutting guard.

6. OPERATION

After mounting the angle grinder to the angle grinder stand, switch on the angle grinder. Grab the handle (6) and slowly guide the disc towards the work piece. Use steady pressure when cutting through the work piece.

After finishing the cut, slowly move the angle grinder back into starting position. Switch off the angle grinder.

Important! Do not abruptly let go of the angle grinder. This would cause the angle grinder to jump back into its starting position and can cause injuries.

7. CLEANING, MAINTENANCE & ORDERING OF SPARE PARTS

Always pull out the power plug before starting any cleaning work.

7.1 Cleaning

- Keep all safety devices, air vents and the motor housing free of dirt and dust as far as possible. Wipe the equipment with a clean cloth or blow it down with compressed air at low pressure.
- We recommend that you clean the equipment immediately after you use it.
- Clean the equipment regularly with a damp cloth and some soft soap. Do not use cleaning agents or solvents; these may be aggressive to the plastic parts in the equipment. Ensure that no water can get into the interior of the equipment.

7.2 Maintenance

There are no parts inside the equipment which require additional maintenance.

7.3 Ordering spare parts

Contact our After Sales Support on 1300 922 271 and quote the following data when ordering spare parts:

- Model/type of the equipment
- Article number of the equipment
- ID number of the equipment

8. DISPOSAL AND RECYCLING

The equipment is supplied in packaging to prevent it from being damaged in transit. The raw materials in this packaging can be reused or recycled.

The equipment and its accessories are made of various types of material, such as metal and plastic.

Defective components must be disposed of as special waste. Ask your local council.

9. STORAGE

Store the equipment and accessories out of children's reach in a dark and dry place at above freezing temperature.

The ideal storage temperature is between 5 and 30 °C.

Store the electric tool in its original packaging.

08/2013

I.-Nr.: 11012

Art.-Nr.: 44.310.43